

5.0 Megapixel Day/Night H.264 HD 3-9mm Outdoor Dome Camera



Avigilon's end-to-end surveillance solutions deliver image detail no other system can match. Avigilon Control Center software, featuring High-Definition Stream Management™ (HDSM™) technology combined with our broad range of megapixel cameras (from 1 MP to 29 MP) provide unprecedented clarity—while effectively managing storage and bandwidth requirements. Our components are scalable and can work together in an end-to-end system, or can be customized to create your own powerful and cost-effective solution.

The innovative HD H.264 dome camera is just one way Avigilon can help provide the very best monitoring and protection.



The 5.0MP H.264 HD outdoor dome camera is a great solution for monitoring both daytime and nighttime outdoor activities. It features an integrated lens for remote focus and zoom control and is ONVIF compliant for no-hassle integration. The 5.0MP dome camera operates on Avigilon's H3 platform, providing this model with improved low light performance and enhanced HDSM features. P-Iris control also allows the camera to automatically set its iris position to maximize image quality in all lighting conditions. This camera is extremely versatile and can work in almost any location, including banks, schools, retail outlets, municipal grounds and buildings, hotels, bars and restaurants.

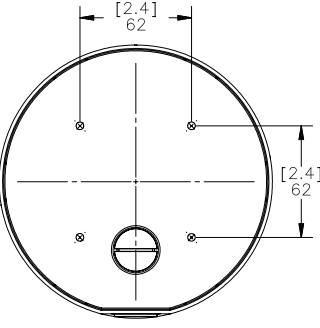
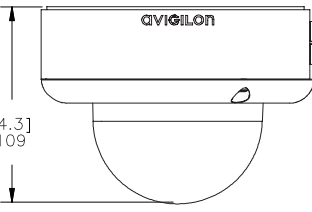
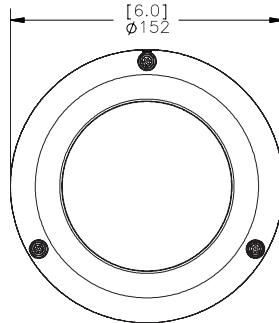
KEY FEATURES

- 5.0 megapixel progressive scan CMOS sensor
- Unsurpassed image quality
- 3-9mm, F1.2 P-Iris lens with remote focus and zoom
- 13 images per second at full resolution
- 69dB true dynamic range
- 0.3 lux minimum illumination in color mode and 0.03 lux minimum illumination in monochrome mode
- H.264 and Motion JPEG compression
- ONVIF compliant API
- Multiple video streams
- Automatic exposure control and iris control
- Automatic removable IR cut filter for IR sensitivity at night
- Power over Ethernet, 24 VAC or 12 VDC power input
- Audio Input and Output
- Analog Video Output
- External I/O
- Vandal resistant construction and IP66 compliant

Specifications

CAMERA	Image Sensor	1/3.2" progressive scan CMOS	
	Active Pixels	2592 (H) x 1944 (V)	
	Imaging Area	4.6 mm (H) x 3.4 mm (V) (0.181" (H) x 0.133" (V))	
	Minimum Illumination	0.3 lux (F1.2) in color mode; 0.03 lux (F1.2) in monochrome mode	
	Dynamic Range	69 dB	
	Lens	3-9 mm, F1.2, P-Iris, remote focus and zoom	
	Angle of View	28° - 84°	
	Image Compression Method	H.264 (MPEG-4 Part 10/AVC), Motion JPEG	
	Image Rate	13 (at full resolution), 30 (at 1920 x 1080 or smaller)	
	Streaming	Multi-stream H.264 and Motion JPEG	
	Resolution Scaling	Down to 480 x 360	
	Motion Detection	Selectable sensitivity and threshold	
	Electronic Shutter Control	Automatic, Manual (1/6 to 1/8000 sec)	
	Iris Control	Automatic, Manual	
	Day/Night Control	Automatic, Manual	
	Flicker Control	50 Hz, 60 Hz	
	White Balance	Automatic, Manual	
	Privacy Zones	Up to 4 zones	
	Audio Compression Method	G.711 PCM 8 kHz	
	Audio Input	Line input, A/V mini-jack (3.5 mm)	
	Audio Output	Line level, A/V mini-jack (3.5 mm)	
Video Output	NTSC/PAL, A/V mini-jack (3.5 mm)		
External I/O Terminals	Alarm In, Alarm Out		
NETWORK	Network	100BASE-TX	
	Cabling Type	CAT5	
	Connector	RJ-45	
	API	ONVIF compliant (www.onvif.org)	
	Security	Password protection, HTTPS encryption, digest authentication, WS authentication, user access log.	
	Protocol	IPv4, HTTP, HTTPS, SOAP, DNS, NTP, RTSP, RTCP, RTP, TCP, UDP, IGMP, ICMP, DHCP, Zeroconf, ARP	
	Streaming Protocols	RTP/UDP, RTP/UDP multicast, RTP/RTSP/TCP, RTP/RTSP/HTTP/TCP, RTP/RTSP/HTTPS/TCP, HTTP	
	MECHANICAL	Dimensions (ØxH)	152 mm x 109 mm (6.0" x 4.3")
Weight		1.2 kg (2.6 lbs)	
Dome Bubble		Polycarbonate, clear	
Body		Aluminum	
Housing		Surface mount, vandal resistant	
Finish		Powder coat, cool gray 2	
Adjustment Range		360° pan, 180° tilt, 360° azimuth	
ELECTRICAL	Power Source	VDC: 12 V VAC: 24 V PoE: IEEE802.3af Class 3 compliant	
	Power Consumption	9 W	
	Power Connector	2-pin terminal block	
ENVIRONMENTAL	Operating Temperature	-30°C to +50°C (-22°F to 122°F)	
	Storage Temperature	-10°C to +70°C (14°F to 158°F)	
	Humidity	20 - 80% Relative humidity (non-condensing)	
CERTIFICATIONS	Safety	UL 60950 CSA 60950 EN 60950-1	CE ROHS WEEE
	Environmental	IK10 Impact Rating	Meets IP66 Weather Rating
	Electromagnetic Emissions	FCC Part 15 Subpart B Class B IC ICES-003 Class B EN 55022 Class B	
	Electromagnetic Immunity	EN 55024 EN 61000-4-2 EN 61000-4-3 EN 61000-4-4	EN 61000-4-5 EN 61000-4-6 EN 61000-4-11
	ORDERING INFORMATION	5.0-H3-DO1	5.0 Megapixel Day/Night H.264 HD 3-9mm Outdoor Dome Camera
H3-DOP-SMOKE		Dome Camera Cover with Smoked Bubble	

Outline Dimensions



[X.X]	INCHES
X	MM