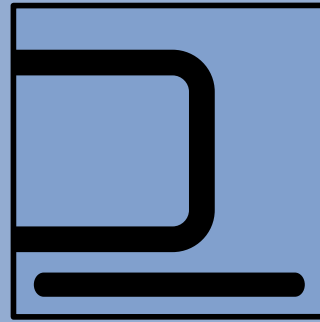
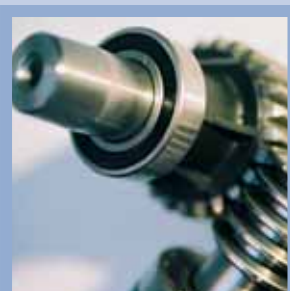


# BULL80M



## COMMERCIAL USE

- 230 Vac irreversible single-phase electromechanical geared motor for condominial use, with built-in control unit and encoder
- Particularly suited to condominial use thanks to oil lubrication
- Available in version with magnetic limit switches suited to snowy areas (BULL80M.S)



Mechanics entirely in metal and oil lubrication to guarantee max durability of the gear



Fast and easy unlock device with a customized key



Raised foundation plate included 260 x 117, n.4 Ø 11 floor brackets, 300 x 75 n.4 M8 screws for motor

NOTES:

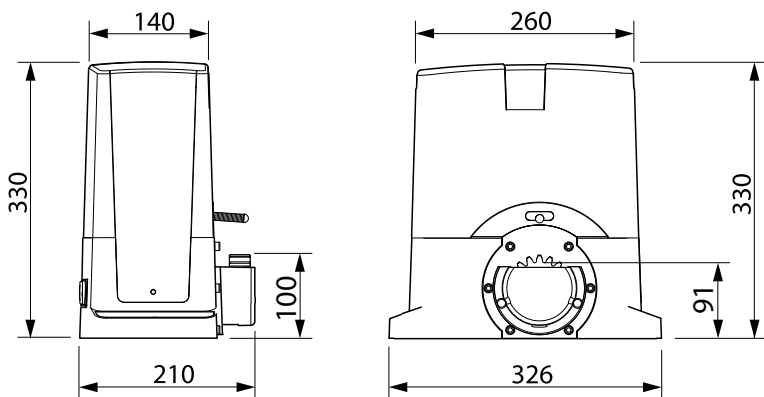
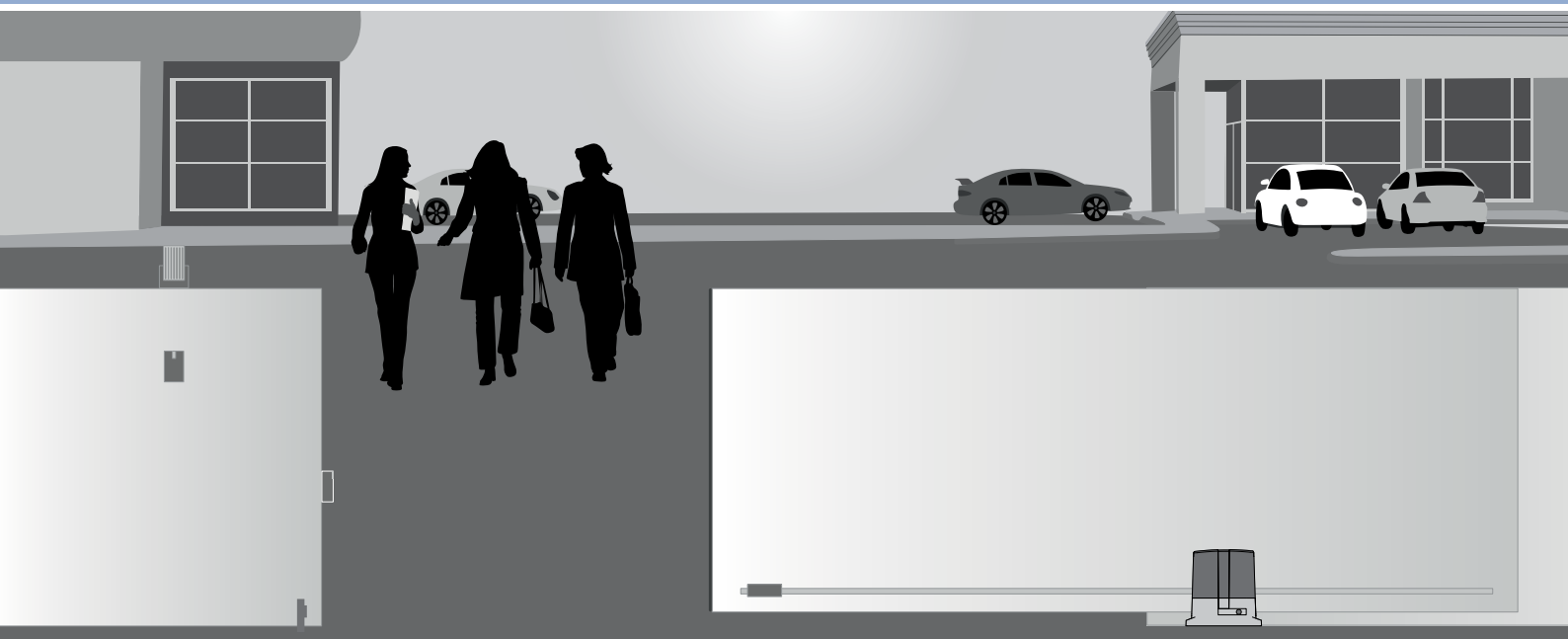
.....

.....

.....

.....

.....



#### SETS AVAILABLE

KBULL80M	30 Sets per pallet
KBULL80M.S	30 Sets per pallet



#### TECHNICAL DATA

	BULL80M	BULL80M.S
Power supply	230 Vac	230 Vac
Motor supply	230 Vac	230 Vac
Max. absorbed current	1,9 A	1,9 A
Thrust	940 N	940 N
Opening speed	10,5 m/min	10,5 m/min
Operation cycle	40%	40%
Protection level	IP 44	IP 44
Operating temp.	-20°C/+50°C	-20°C/+50°C
Lubrication	Oil	Oil
Max gate weight	800 Kg	800 Kg
Driving gear for rack	M4 Z18	M4 Z18
Magnetic limit switches	No	Yes
Weight	14,2 Kg	14,2 Kg
<b>Items no. per pallet</b>	<b>36</b>	<b>36</b>