

CALIPD-BI36-V(P) CALIPD-BI60-V(P)

www.black.honeywell.com

2 Megapixel Full HD 1080P TDN IR Vandal-Proof IP Dome Camera

High Performance IP Camera at an Economical Price

Available in 3.6mm / 6mm built-in fixed lens, Honeywell Black™ CALIPD-BI36/60-V(P) is an IP dome camera designed for small-scale surveillance application. Equipped with 2 Megapixel (1920H x 1080V) sensor, the camera delivers 1080P high resolution image at 25fps. The vandal-proof and IP66 weather-proof housing makes it suitable for installation in harsh outdoor areas.

Advanced Features

Featuring True Day/Night with IR-cut filter and built-in IR led, the camera can automatically switch to black and white in pitch black conditions and also gives an IR beam distance of up to 20 meters, providing superior images at both day and night time.

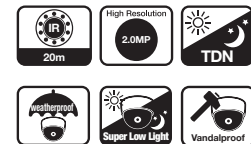
The CALIPD-BI36/60-V(P) comes with a free CMS software CAL-CMS200 which provides rich functions such as video management, user management, storage, video output, etc. It's also compatible with the free mobile App software CALNVRView, which makes it easy to remotely access the NVR through any of the supported mobile devices including iPhone, iPad, or Android Smartphone. It also supports P2P cloud technique to realize network traversal and mobile connection.

Market Opportunities

Available in 3.6mm / 6mm built-in fixed lens, Honeywell Black™ CALIPD-BI36/60-V(P) is designed for small surveillance application at very budget-friendly price. Featuring 2 megapixel (1920H x 1080V) sensor, 1080P high resolution image, TDN function, up to 20 meters IR night vision and optional PoE function, it is ideal for hotels, chain stores, commercial offices, hospitals, residential areas, warehouse, and education facilities and so on.

FEATURES

- 2 Megapixel (1920H x 1080V), 1080P HD resolution
- Main-profile H.264 compression, support dual-stream
- 1080P real-time video output
- 3.6mm / 6mm fixed lens
- IR beam distance: 10~20m
- True Day / Night with automatic removable IR cut filter, DWDR
- Minimum illumination: Color: 0.01Lux, Black / White: 0.001 Lux (0 Lux: IR On)
- Motion detection, Privacy Masking, Mirror, Flip, Anti-flicker
- Vandal-proof and IP66 weather-proof
- Power: DC12V (CALIPD-BI36/60-V), DC12V/PoE (CALIPD-BI36/60-VP)
- ONVIF
- Free CAL-CMS200 central management software compatible
- CALNVRView: free Android and Apple app give you full access to your surveillance system anytime, anywhere
- Support P2P cloud technique to realize network traversal and mobile connection



CALIPD-BI36-V(P) CALIPD-BI60-V(P)

www.black.honeywell.com

2 Megapixel Full HD 1080P TDN IR Vandal-Proof IP Dome Camera

SPECIFICATIONS

Model	CALIPD-BI36/60-V	CALIPD-BI36/60-VP
Image Sensor	1/2.8" CMOS	
Effective Pixels	1920 x 1080	
Minimum Illumination	Color: 0.01Lux @ (F1.2,AGC ON), 0 Lux (IR ON) B/W: 0.001 Lux @ (F1.2,AGC ON), 0 Lux (IR ON)	
Shutter Speed	Auto, 1/50 (1/60)s, 1/120s, 1/250s, 1/500s, 1/1000s, 1/2000s, 1/4000s, 1/10,000s (millisecond adjustable)	
Lens	3.6mm / 6mm fixed lens	
IR Beam Distance	10-20m	
Day & Night	TDN, IR cut removable	
DWDR	ON/OFF	
Auto Gain Control	ON/OFF, 0~100 adjustable	
Slow Shutter	None, Low, Medium, High	
NT Level (DNR)	Day / Night 0~5 adjustable	
Image Set	Brightness, Contrast, Saturation, Hue can be customized through CMS client and IE browser	
OSD Display	Time title, Channel title	
Image & Compression		
Video Compression	H.264 dual-stream	
Image Resolution & Frame Rate	Main Stream: 50Hz: 25fps (1920 x 1080), (1280 x 720) 60Hz: 30fps (1920 x 1080), (1280 x 720) Sub Stream: 50Hz: 25fps (D1: 704 x 576), (CIF: 352 x 288) 60Hz: 30fps (D1: 704 x 480), (CIF: 352 x 240)	
Bite Rate	32Kbps~8Mbps (H.264), Image resolution lowest / lower / general / high / higher / highest selectable	
Bite Rate Type	CBR / VBR	
Audio Compression	G.711a	
Watermark	ON/OFF	
Network		
Network Interface Protocol	ONVIF 2.0	
Support Protocol	TCP/IP, HTTP, DHCP, DNS, DDNS, PPPoE, SMTP, NTP (HTTPS, SIP, 802.1x, IPv6)	
Browser	IE6.0 to IE11.0	
Alarm Trigger	Video motion, video blind, video loss, device disconnect	
Motion Detection	396 zones	
Privacy Masking (Region Cover)	4 zones	
Max. User Access	5 users	
General Functions	Anti-flicker, dual stream, heartbeat, password protection	
Interface		
Ethernet	1 RJ45 10M / 100M self adaptive Ethernet interface	
Audio Interface	1 CH RCA Audio input	
Storage	Network Storage	
Software		
CMS	CAL-CMS200	
Mobile View APP	CALNVRView for iPhone, iPad, Android	
Others		
Operating Temperature	-10°C~60°C	
Operating Humidity	Less than 90% (non-condensing)	
Power Supply	DC12V±10%	DC12V±10%, PoE

CALIPD-BI36-V(P) CALIPD-BI60-V(P)

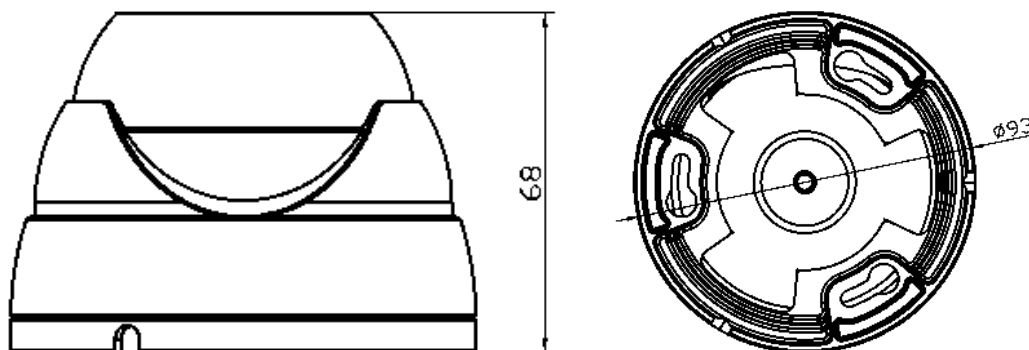
www.black.honeywell.com

2 Megapixel Full HD 1080P TDN IR Vandal-Proof IP Dome Camera

Model	CALIPD-BI36/60-V	CALIPD-BI36/60-VP
Power over Ethernet (PoE)	N/A	IEEE 802.3af
Dimension	Φ93mm x 68mm	
Weight	300g	
IP Protection	IP66	
Certificate	CE, FCC ,C-tick	

Note: Honeywell reserves the right, without notification, to make changes in product design and/or specifications.

DIMENSION



ORDERING

CALIPD-BI36V	IR Dome Camera, Vandal-proof, 2 Megapixel Full HD 1080P 25fps, 1/2.8" CMOS, TDN, IR beam distance: 10~20M, 3.6mm fixed lens, IP66, 12DVC, ONVIF
CALIPD-BI60-V	IR Dome Camera, Vandal-proof, 2 Megapixel Full HD 1080P 25fps, 1/2.8" CMOS, TDN, IR beam distance: 10~20M, 6mm fixed lens, IP66, 12DVC, ONVIF
CALIPD-BI36-VP	IR Dome Camera, Vandal-proof, 2 Megapixel Full HD 1080P 25fps, 1/2.8" CMOS, TDN, IR beam distance: 10~20M, 3.6mm fixed lens, IP66, 12DVC, PoE, ONVIF
CALIPD-BI60-VP	IR Dome Camera, Vandal-proof, 2 Megapixel Full HD 1080P 25fps, 1/2.8" CMOS, TDN, IR beam distance: 10~20M, 6mm fixed lens, IP66, 12DVC, PoE, ONVIF

For more information:

Security East Asia
Security Pacific
Security India
Security Middle East & N.Africa
Security Russia
Security China
Security Korea

Tel: (852) 2405 2323
Tel: 1300 234 234
Tel: (91) 124 4975000
Tel: (971) 4454 1704
Tel: (7) 495 7979371
Tel: (86) 400 8800 330
Tel: (82) 2799 6114

www.black.honeywell.com
security.black@honeywell.com

Honeywell Security Group
Automation & Control Solutions
Honeywell International Inc.
www.security.honeywell.com



July 2015
© 2015 Honeywell International Inc.