

CAM4571M/MP/VP

5 Megapixel Auto Focus Day&Night Outdoor Fixed Dome Network Camera



- Megapixel Progressive Scan Sensor
 - Up to 2560 x 1920 Video Resolution
 - H.264/MPEG4/MJPEG 2 Simultaneous Video Streams
 - Surveon Video Intelligent Ready
 - 2x Optical Zoom with Auto Focus
 - DC Iris Control and Day/Night IR-Cut Filter
 - PoE (IEEE 802.3af) and WDR (Wide Dynamic Range)
 - Built-in IR Illuminators, Effective Up to 30 Meters
- IP66, Wide Temperature, and Vandal Proof for Outdoor Application



Network Camera

Product Specification

Camera	
Image sensor	1/2.5" megapixel progressive scan CMOS
Lens	4571VP: 3.3 - 10.5 mm varifocal lens, F1.4 4571M: 4.5 - 9 mm auto focus lens, F1.2
SNR	48dB
WDR	Yes
Day/Night ICR	Yes
IR LED	Yes (Max 30M, on 1/1 Exposure)
Min illumination	0 Lux (IR LEDs on) 0.1 Lux @ F1.2 (Color)
Iris control	4571VP: P-Iris 4571M: DC drive
Shutter time	1/1 ~ 1/1,000,000 s
Viewing angle	4571VP: Diagonal: 126° ~ 40° Horizontal: 98° ~ 32° Vertical: 72° ~ 24° 4571M: Diagonal: 98.5° ~ 43.8° Horizontal: 80.5° ~ 38.1° Vertical: 41.3° ~ 21.3°
Camera angle adjustment	Pan 0° ~ 340° Tilt 30° ~ 90°
Pan/tilt/zoom functionalities	N/A
Video	
Video compression	H.264/MPEG-4/MJPEG
Resolution	Up to 2560 x 1920
Frame rate	14 fps at QSXGA (2560 x 1920) 21 fps at QXGA (2048 x 1536) 30 fps at 1080P (1920 x 1080) 30 fps at SXGA (1280 x 1024) 30 fps at 720P (1280 x 720) 30 fps at D1 (720 x 480) 30 fps at VGA (640 x 480) 30 fps at QVGA (320 x 240)
Video stream	Dual stream at H.264, MPEG-4, and MJPEG simultaneously
Bit rate	32K ~ 20Mbps, VBR, CBR, controller frame rate and quality
Video control	AGC (Auto Gain Control), AWB (Auto White Balance), AES (Auto Electronic Shutter), Luminance Control, WDR, 2D/3D De-noise, ROI, Edge Enhancement, Lens Correction, image adjustment

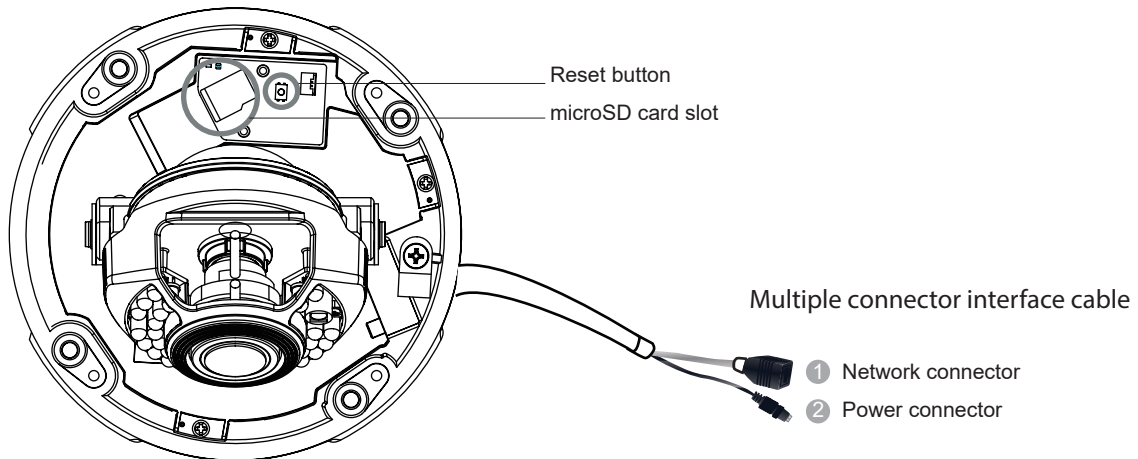
Intelligent video	Motion detection, tampering detection (blocked, redirected, defocused, or spray-painted)
Video jack	Yes (BNC, 4571VP)
Audio	
Built-in MIC	N/A
Audio compression	16KHz, ADPCM/G.711
Audio input/output	3.5mm phone jack (optional)
I/O and Event Management	
Alarm in	1, terminal block (optional)
Alarm out	1, terminal block (optional)
Video buffer	5 second pre-alarm, 30 second post-alarm
Event action	Send snapshot or video clip by FTP or email, record to NAS, record to local storage, trigger DO
Network	
Supported Protocols	IPv4, IPv6, ARP, TCP, UDP, ICMP, IGMP, DHCP, NTP, DDNS, SMTP, SNMP, FTP, HTTP, HTTPS, CIFS, PPPoE, UPnP, RTP, RTSP, RTCP, 3GPP, iSCSI
Ethernet	10/100 Base-T / RJ45
System	
Local storage	microSD/SDHC x 1 (Class 4/Class 6 only)
RS-485	N/A
USB	N/A
SDK	Surveon SDK 2.0
Viewing System	
OS	Microsoft Windows XP/Vista/7
Browser	IE 8.x or above, Safari, Chrome (via IE Tab)
Software	Surveon VMS 2.5
General	
Temperature	Operation: -40°C ~ 50°C (-40°F ~ 122°F) Storage: -30°C ~ 60°C (-22°F ~ 140°F)
Humidity	5 to 90%
Power	12VDC 1.5A ; PoE (IEEE 802.3af) with Class 3
Power consumption	Max. 7W (w/o Heater) Max. 15.4W (w/ Heater & PoE 802.3af)
Dimension	ø144mm x 116mm (H) ø5.67" x 4.57"(H)
Weight	Net: 1,260g (2.78lb.) Gross: 1,930g (4.27lb.)
Certification	Safety: LVD ; EMC: FCC, CE, GOST, IP66, IK10
Warranty	3 years

* All specifications are subject to change without notice.
* All brand names and registered trademarks are the property of their respective owners.

CAM4571M/VP

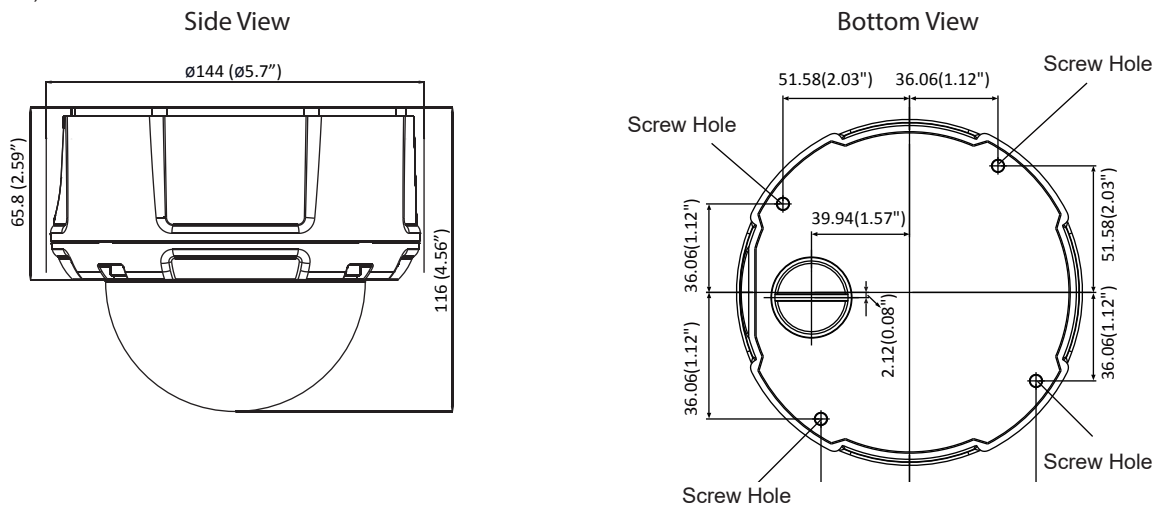
5 Megapixel Auto Focus Day&Night
Outdoor Fixed Dome Network Camera

Part Names and Functions



Appearance

Unit:mm(inches)



Package Content

Contents	Quantity
Quick Installation Guide	1
Product DVD	1
CAM4571M/CAM4571VP	1
Screw Hole Indicator Sticker	1
Anchors and Mounting Screws	4
L Type Hexagon Spanner	1

Ordering Information

Part Number	Description
CAM4571M-0015	5 megapixel Auto Focus day&night outdoor fixed dome network camera with motorized lens
CAM4571VP-0015	

Optional Accessories

Part Number	Description
ZPWR18W-0030	Power Adapter, 12VDC, 1.5A; 18W
YBPICC0001G0	PoE Injector, 15.4W, 10/100M
ZBracketL-0050	L-type bracket for dome camera