

DS-2DF4220-DX(S6/316L)

2 MP Explosion-proof Network Speed Dome



ATEX:

II 2 G Ex db IIC T6 Gb
II 2 D Ex tb IIIC T80°C Db

IECEX:

Ex db IIC T6 Gb
Ex tb IIIC T80°C Db

- 316L stainless steel
- Supports H.265 video compression
- Certificate No.: ATEX: SEV 20 ATEX 0415 X; IECEX: IECEX NEP 20.0018X
- 20 × optical zoom, focal length 4.8 mm to 96 mm
- 2 MP 1/2.8" progressive scan CMOS
- 120 dB WDR, 3D DNR
- High quality imaging with high-performance sensor



▪ DORI

The DORI (detect, observe, recognize, identify) distance gives the general idea of the camera ability to distinguish persons or objects within its field of view. It is calculated based on the camera sensor specification and the criteria given by EN 62676-4: 2015.

DORI	Detect	Observe	Recognize	Identify
Definition	25 px/m	63 px/m	125 px/m	250 px/m
Definition	1280 m (4198.4 ft)	507.9 m (1665.9 ft)	256 m (839.68 ft)	128 m (419.84 ft)

▪ Specification

Camera	
Image Sensor	1/2.8" progressive scan CMOS
Min. Illumination	color: 0.005Lux @ (F1.6, AGC ON) B/W: 0.001Lux @ (F1.6, AGC ON)
Shutter Speed	1/1 s to 1/30000 s
Slow Shutter	yes
Day & Night	ICR
Day/Night Switch	auto
BLC	yes
WDR	120dB WDR
HLC	yes
Focus	semi-auto, manual, auto
3D DNR	yes
Defog	yes
Regional Exposure	yes
Regional Focus	yes
Image Settings	saturation, brightness, contrast, sharpness
Image Parameters Switch	yes
White Balance	auto, ATW, sodium lamp, fluorescent lamp, indoor, outdoor, MWB, Locked WB
Digital Zoom	16 ×
Optical Zoom	20 ×
Privacy Mask	up to 24 masks
SNR	> 52dB
General Function	mirror, password protection, watermark, IP address filter
Gain Control	auto, manual
Lens	
Focal Length	4.8 mm to 96 mm, 20 × optical
Zoom Speed	approx.2.9 s
FOV	Horizontal field of view: 57.6° to 3.4° (wide-tele), Vertical field of view: 34.4° to 2° (wide-tele), Diagonal field of view: 64.5° to 3.9° (wide-tele)
Aperture	F1.6
PTZ	
Movement Range (Pan)	360° endless
Movement Range (Tilt)	0° to 90° (Auto Flip)

Pan Speed	Configurable, from 0.1°/s to 160°/s, preset speed: 160°/s
Tilt Speed	Configurable, from 0.1°/s to 120°/s, Preset Speed: 120°/s
Proportional Zoom	yes
Presets	300
Patrol Scan	8 patrols, up to 32 presets for each patrol
Pattern Scan	4 pattern scans, record time over 10 minutes for each scan
Power-off Memory	yes
Park Action	Preset/Pattern Scan/Patrol Scan/Auto Scan/Tilt Scan/Random Scan/Frame Scan/Panorama Scan
3D Positioning	yes
PTZ Status Display	yes
Preset Freezing	yes
Scheduled Task	preset,pattern scan,patrol scan,auto scan,tilt scan,random scan,frame scan,panorama scan,dome reboot,dome adjust,aux output
Exception Detection	IP address conflict, HDD full, illegal login, HDD error, network disconnected
Video	
Max. Resolution	1920 × 1080
Stream Type	main stream, sub-stream, third stream
Main Stream	50 Hz: 25 fps (1920 × 1080, 1280 × 960, 1280 × 720) 60 Hz: 30 fps (1920 × 1080, 1280 × 960, 1280 × 720)
Sub-Stream	50 Hz: 25 fps (704 × 576, 640 × 480, 352 × 288) 60 Hz: 30 fps (704 × 480, 640 × 480, 352 × 240)
Third Stream	50 Hz: 25 fps (1920 × 1080, 1280 × 960, 1280 × 720, 704 × 576, 640 × 480, 352 × 288) 60 Hz: 30 fps (1920 × 1080, 1280 × 960, 1280 × 720, 704 × 480, 640 × 480, 352 × 240)
Video Bit Rate	32 kbps to 16384 kbps
H.264 Type	baseline profile, main profile, high profile
H.265 Type	main profile
H.264+	yes
H.265+	yes
SVC	yes
ROI	yes
Smart Features	
Basic Event	motion detection, video tampering alarm, alarm input, alarm output, exception
Smart Event	intrusion detection, line crossing detection, region entrance detection, region exiting detection, unattended baggage detection, object removal detection,face detection
Alarm Linkage	Alarm actions, such as Preset, Patrol Scan, Pattern Scan, Memory Card Video Record, Trigger Recording, Notify Surveillance Center, Upload to FTP/Memory Card/NAS, Send Email, etc.
Smart Encoding	H.265+, H.264+, low bit rate, ROI, SVC
Smart Tracking	manual tracking, panorama tracking
Smart Record	ANR, Dual-VCA
Network	
Network Storage	NAS (NFS, SMB/ CIFS), ANR
Protocols	IPv4/IPv6, HTTP, HTTPS, 802.1x, Qos, FTP, SMTP, UPnP, SNMP, DNS, DDNS, NTP, RTSP, RTCP, RTP, TCP/IP, UDP, IGMP, ICMP, DHCP, PPPoE, Bonjour, Websocket, Websockets

API	Open-ended API, ISAPI, Hikvision SDK, Third-party management platform, Open Network Video Interface
Simultaneous Live View	Up to 20 channels
User/Host	Up to 32 users. 3 levels: Administrator, Operator and User
Security Measures	User authentication (ID and PW), Host authentication (MAC address); HTTPS encryption; IEEE 802.1x port-based network access control; IP address filtering
Client	iVMS-4200, iVMS-4500, iVMS-5200, Hik-Connect
Web Browser	IE11, Chrome 57.0+, Firefox 52.0+, Safari 11+
Interface	
On-board Storage	support microSD/microSDHC/microSDXC cards, up to 256 GB
Communication Interface	RJ45, self-adaptive 10M/100M Ethernet port
Alarm Input	1 alarm input
Alarm Output	1 alarm output
General	
Dimensions	264.2 mm × Φ184 mm (10.4" × Φ7.2")
Demist	yes
Certificate No.	IECEX: IECEX NEP 20.0018X ATEX: SEV 20 ATEX 0415 X
Power	DC9 V to 12 V, Max. 7 W; PoE
Operating Conditions	Temperature: -30°C to 60°C (-22°F to 140°F), Humidity: ≤ 95%
Material	SUS316L stainless steel with anti-corrosion surface spray treatment
Weight	Approx. 8 kg (17.64 lb.)
Ex-mark	ATEX: Ex II 2GD Ex db IIC T6 Gb /Ex tb IIIC T80°C Db IECEX: Ex db IIC T6 Gb /Ex tb IIIC T80°C Db
Approval	
EMC	FCC (47 CFR Part 15, Subpart B); CE-EMC (EN 55032: 2015, EN 61000-3-2: 2019, EN 61000-3-3: 2013+A1:2019, EN 50130-4: 2011 +A1: 2014); RCM (AS/NZS CISPR 32: 2015); IC (ICES-003: Issue 7); KC (KN 32: 2015, KN 35: 2015)
Safety	UL (UL 62368-1); CB (IEC 62368-1:2014+A11); CE-LVD (EN 62368-1:2014/A11:2017); BIS (IS 13252(Part 1):2010/ IEC 60950-1 : 2005)
Protection	IP68, TVS 6000V Lightning Protection, Surge Protection and Voltage Transient Protection

▪ Available Model

DS-2DF4220-DX(S6/316L)

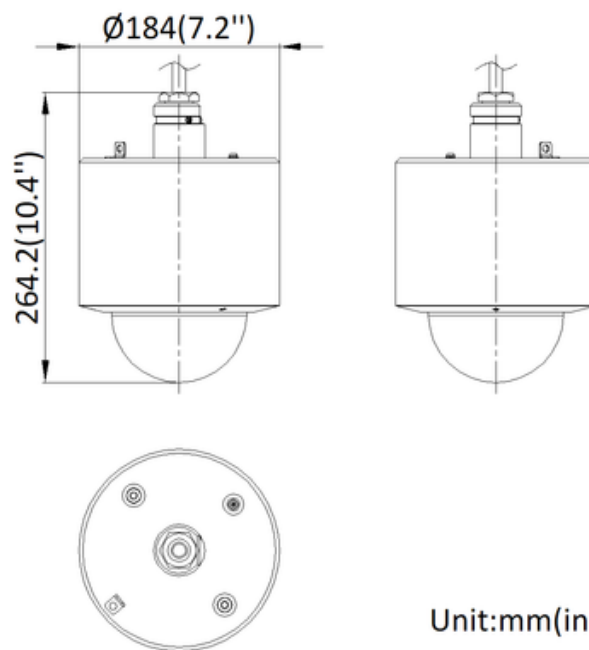
▪ **Typical Application**

Hikvision products are classified into three levels according to their anti-corrosion performance. Refer to the following description to choose for your using environment.

This model has TOP-LEVEL PROTECTION.

Level	Description
Top-level protection	Hikvision products at this level are equipped for use in areas where professional anti-corrosion protection is a must. Typical application scenarios include coastlines, docks, chemical plants, and more.
Moderate protection	Hikvision products at this level are equipped for use in areas with moderate anti-corrosion demands. Typical application scenarios include coastal areas about 2 kilometers (1.24 miles) away from coastlines, as well as areas affected by acid rain.
No specific protection	Hikvision products at this level are equipped for use in areas where no specific anti-corrosion protection is needed.

▪ **Dimension**



Unit:mm(inch)

▪ **Accessory**

▪ **Included**

DS-1772ZJ-ED2-AC



▪ Optional

DS-2780ZJ-X/316	DS-2781ZJ-X/316	DS-1677ZJ-XS-1.0
L(OS)	L(OS)	(DY)
		

Distributed by

**HIKVISION®****Headquarters**

No.555 Qianmo Road, Binjiang District,
Hangzhou 310051, China
T +86-571-8807-5998
overseasbusiness@hikvision.com

Hikvision USA
T +1-909-895-0400
sales.usa@hikvision.com

Hikvision Australia
T +61-2-8599-4233
salesau@hikvision.com

Hikvision India
T +91-22-28469900
sales@pramahikvision.com

Hikvision Canada
T +1-866-200-6690
sales.canada@hikvision.com

Hikvision Thailand
T +662-275-9949
sales.thailand@hikvision.com

Hikvision Europe
T +31-23-5542770
sales.eu@hikvision.com

Hikvision Italy
T +39-0438-6902
info.it@hikvision.com

Hikvision Brazil
T +55 11 3318-0050
Latam.support@hikvision.com

Hikvision Turkey
T +90 (216)521 7070- 7074
sales.tr@hikvision.com

Hikvision Malaysia
T +601-7652-2413
sales.my@hikvision.com

Hikvision UK & Ireland
T +01628-902140
sales.uk@hikvision.com

Hikvision South Africa
Tel: +27 (10) 0351172
sale.africa@hikvision.com

Hikvision France
T +33(0)1-85-330-450
info.fr@hikvision.com

Hikvision Kazakhstan
T +7-727-9730667
nikia.panfilov@hikvision.ru

Hikvision Vietnam
T +84-974270888
sales.vt@hikvision.com

Hikvision UAE
T +971-4-4432090
salesme@hikvision.com

Hikvision Singapore
T +65-6684-4718
sg@hikvision.com

Hikvision Spain
T +34-91-737-16-55
info.es@hikvision.com

Hikvision Tashkent
T +99-87-1238-9438
uzb@hikvision.ru

Hikvision Hong Kong
T +852-2151-1761
info.hk@hikvision.com

Hikvision Russia
T +7-495-669-67-99
saleru@hikvision.com

Hikvision Korea
T +82-(0)31-731-8817
sales.korea@hikvision.com

Hikvision Poland
T +48-22-460-01-50
info.pl@hikvision.com

Hikvision Indonesia
T +62-21-2933759
Sales.Indonesia@hikvision.com

Hikvision Colombia
sales.colombia@hikvision.com