

## DS-M5504HM-T Series Mobile DVR



### Main Features

- User-friendly GUI providing easy and flexible operations.
- Pluggable 3G/4G module and 5.8 G Wi-Fi module providing flexible data transmission solutions.
- Built-in GPS (Global Positioning System) module precisely positioning the vehicle via the satellite and recording the location information in the video stream.
- Hikvision private protocol (4000 protocol) and ONVIF supported.
- Accept access of 4-ch TVI cameras with up to 720p/WD1 resolution for each channel.
- Accept access of 4-ch IP camera with up to 1080p resolution for each channel.
- Pluggable dummy HDD for HDD with up to 2 TB capacity.
- Information collection interfaces collecting driving information such as left/right turn, braking, backing up, etc.
- Specialized aviation connectors ensuring signal stability.
- Shutdown delay (0 h to 6 h) and 24-hour scheduled startup/shutdown.
- Battery protection avoids vehicle from running out of battery.
- Wide-range power input (+9 VDC to +32 VDC).
- Power-off protection prevents key data loss.
- Aluminum die-cast chassis with no fan design well adaptable to working environment.
- Software-based firewall supported.
- Connectable to PTZ camera and PTZ control is supported.
- Support accessing via WEB browser.

### Available Models

DS-M5504HM-T(1T),

DS- M5504HM-T/GW(1T), (Supports 3G dialing)

DS- M5504HM-T/GW/WI58(1T), (Supports 3G dialing and Wi-Fi)

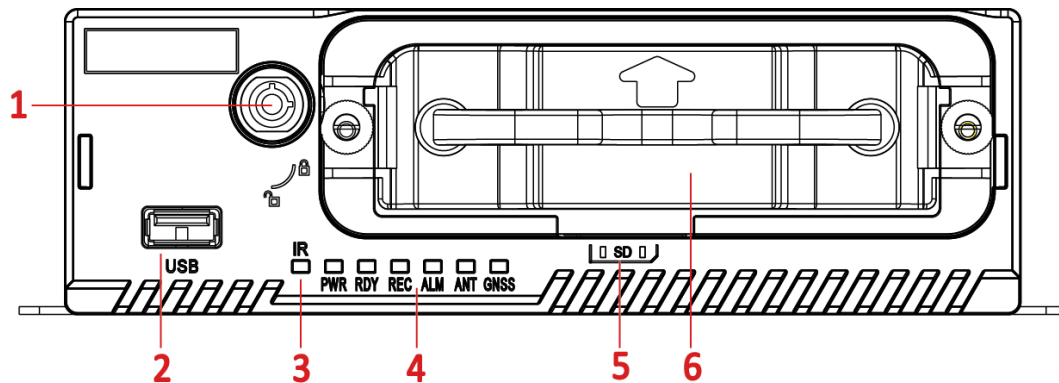


# Specifications

Model		DS-M5504HM-T
Video/audio input	Analog camera	4-ch
	IP camera	4-ch (extendable via PoE switch)
	Two-way audio	1-ch (integrated in EXT.DEV interface)
Video/audio output	Video Output	2-ch: 1-ch main output (integrated in EXT.DEV interface). 1-ch VGA video output
	Audio output	1-ch
Encoding/decoding parameters	Video compression	H.264, Smart264
	Encoding resolution	Main stream: 720p/WD1/4CIF. Sub-Stream: 4CIF/2CIF/CIF
	Frame rate	PAL: 1 to 25fps; NTSC: 1 to 30fps
	Audio compression	G.711
	Stream type	Video, Video & Audio
	Audio bitrate	16 Kbps
	Dual stream	Supported
Storage media	HDD/SSD	1 × 2.5 inch HDD/SSD. Up to 2 TB for each HDD/SSD A dummy HDD with USB 3.0 interface
	SD card	1 × SD card (stores data when HDDs/SSDs are damaged)
Wireless network	3G/4G dialing	1 × 3G/4G card; 1 × 3G/4G antenna
	Wi-Fi	2 × 5.8G Wi-Fi antenna
Positioning	GNSS (Global Navigation Satellite System)	1 × positioning antenna for GPS (Global Positioning System)
External interface	Network interface	1 × 10M/100M RJ45 Ethernet interface
	Serial port	2 × RS-232. 1 × RS-422 (integrated in EXT.DEV interface)
	USB interface	<ul style="list-style-type: none"> <li>● Front panel: 1 × USB 2.0</li> <li>● Rear panel: 1 × USB 2.0 of 5-pin aviation connector</li> </ul>
	Sensor-in	4 high/low level signal inputs. 1 pulse signal input. 1 BUTTON input
	Alarm input	4 high/low level signal inputs
	Alarm output	2 relay signal outputs
General	Operating method	Mouse, IR remote control, Web control, and touchscreen
	Power supply	9 to 32 VDC
	Consumption	Standby: ≤ 0.5 W (remote wakeup supported) Fully loaded: ≤ 20 W (without display, camera, and HDD/SSD)
	Working temperature	<ul style="list-style-type: none"> <li>● Device of which the dummy HDD provides heating function: -10 °C to +55 °C (14 °F to 131°F)</li> <li>● Other devices: -20 °C to +60 °C (-4 °F to +140 °F)</li> </ul>
	Working humidity	10% to 95%
	Dimensions (W × D × H)	236 × 210 × 73mm (9.3 × 8.3 × 2.9 inch)
Weight (without HDDs/SSDs)	1.6kg (3.5 lb)	

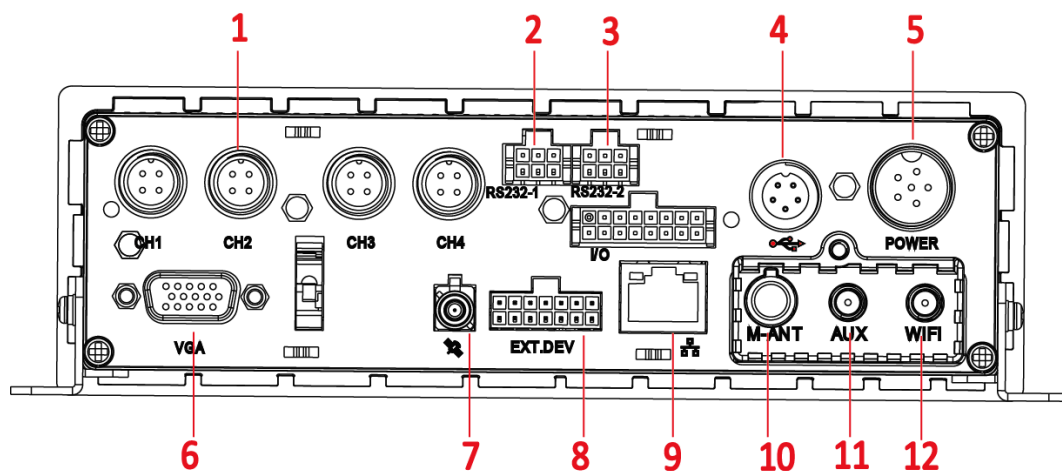
# Physical Interfaces

Front Panel



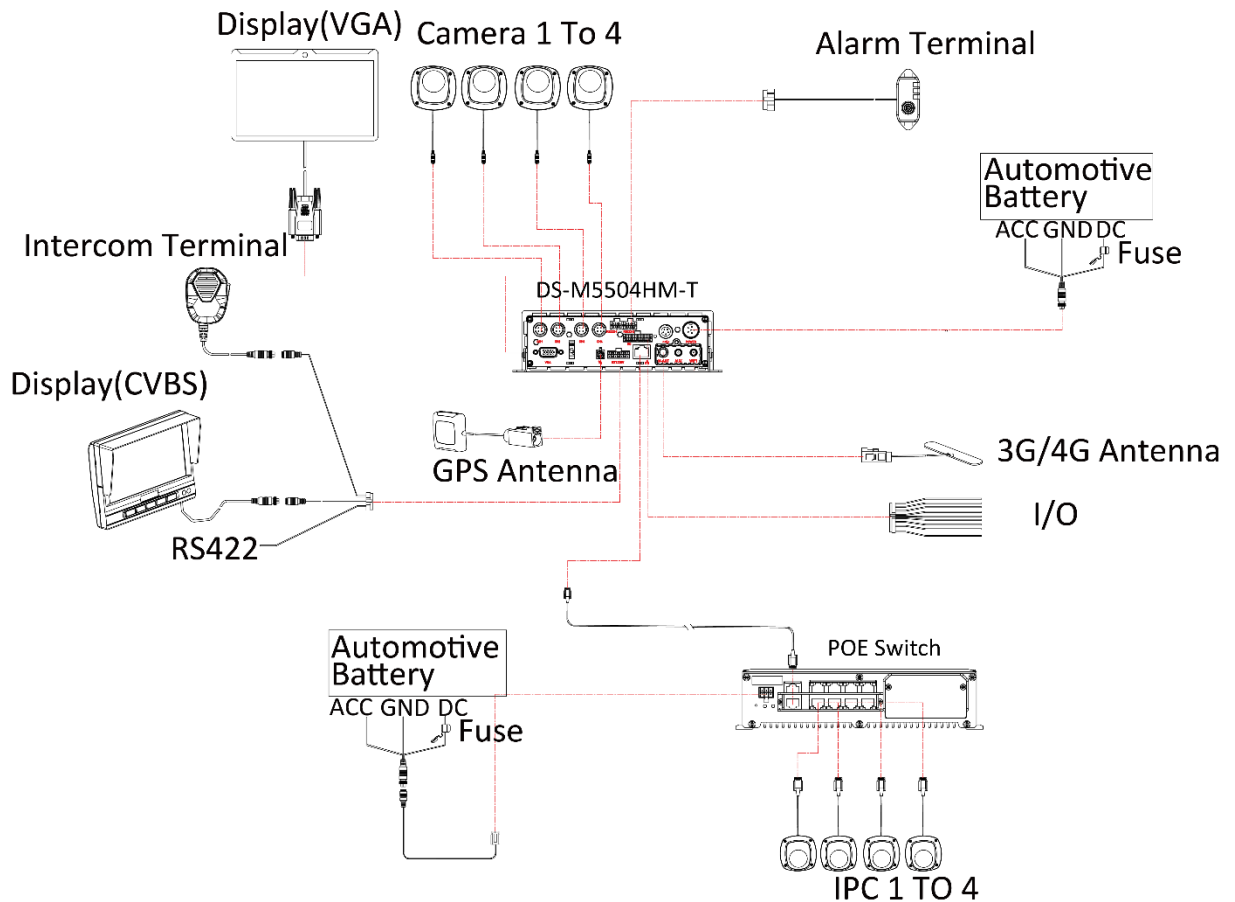
No.	Name	No.	Name
1	Dummy HDD/SSD lock	4	PWR: Power indicator
2	USB 2.0 interface		RDY: Ready indicator
3	IR receiver		REC: Record indicator
5	SD card slot		ALM: Alarm indicator
6	Dummy HDD/SSD		ANT: Dialing indicator
			GNSS: GPS indicator

Rear Panel



No.	Name	No.	Name
1	Analog video input	7	GNSS antenna interface
2	RS232-1 interface	8	RS-422 communication interface, two-way audio interface, and CVBS video output
3	RS232-2 interface	9	Network interface
4	USB 2.0 or 5-pin aviation connector	10	3G/4G dialing antenna interface
5	Power supply	11	Reserved.
6	VGA video output interface	12	Reserved.

## Peripheral Connection



Distributed by



## HIKVISION

### Headquarters

No.555 Dianmo Road, Binjiang District,  
Hangzhou 310051, China  
T +86-571-8807-5998  
overseasbusiness@hikvision.com

**Hikvision USA**  
T +1-909-895-0400  
sales.usa@hikvision.com

**Hikvision Europe**  
T +31-23-55-42-770  
info.eu@hikvision.com

**Hikvision Middle East**  
T +971-4-8816086  
salesme@hikvision.com

**Hikvision Russia**  
T +7-495-668-67-99  
saleru@hikvision.com

**Hikvision India**  
T +91-22-28469900  
sales@pramahikvision.com

**Hikvision Italy**  
T +39-0438-6902  
info.it@hikvision.com

**Hikvision France**  
T +33(0)1-85-330-450  
info.fr@hikvision.com

**Hikvision Spain**  
T +34-91-737-16-55  
info.es@hikvision.com

**Hikvision Poland**  
T +48-22-460-01-50  
poland@hikvision.com

**Hikvision UK**  
T +01628-902140  
support.uk@hikvision.com

**Hikvision Singapore**  
T +65-6684-4718  
sg@hikvision.com

**Hikvision Oceania**  
T +61-2-8599-4233  
salesau@hikvision.com

**Hikvision Canada**  
T +1-909-895-0400  
sales.usa@hikvision.com

**Hikvision Korea**  
T +82-31-731-8841  
sales.korea@hikvision.com

**Hikvision Brazil**  
T +55 11 3318-0050  
Latam.support@hikvision.com

**Hikvision Africa**  
T +27 (0) 0351172  
sale.africa@hikvision.com

**Hikvision Hong Kong**  
T +852-2151-1761