

GD-CT-CC2126V

2 MP Fixed Dome HD-TVI Camera Vari Focal



- 2 Megapixel HD-TVI Camera with HD 1080P real time video
- Vandal Resistant Clear Dome Cover (IK10)
- 3 Axis Gimbal for wall and ceiling mount
- 0 Lux: Integrated LED IR Illuminator viewable distance up to 40m
- Smart IR Control
- Power Input DC12V



ESSENTIAL

- Product Line ESSENTIAL: high quality, basic features and remarkably many functions for smaller applications

Item Code: GD-CT-CC2126V

EAN CODE: 4260573063666

Specifications GD-CT-CC2126V

Camera

Image Sensor:	2 Megapixel progressive scan CMOS
Pixels - Effective:	1920 (H) x 1080 (V)
Sensitivity Colour:	0.01 Lux @ F1.2 (AGC ON)
Sensitivity B/W:	0 Lux LED IR on
Shutter Speed:	1/25 (1/30) ~ 1/50,000 s
White Balance:	Auto , Manual

Lens

Lens Focal Length:	2.7 ~ 13.5 mm
Lens Mount:	Ø14
Field of View:	100° ~ 30° (horizontal), 52° ~ 17° (vertical), 116° ~ 34.5°(diagonal)

Illuminator

Max. IR Distance:	Up to 40 m
Wavelength:	850 nm

Video

Video Standard:	PAL, NTSC
Col/B&W:	Auto , Color , B&W, IR-cut filter removable (ICR)
Wide Dynamic Range:	Digital WDR
Image Enhancement:	BLC, 2D DNR, AGC, HLC, Global
Frame Rate (Max@Resolution):	PAL: 1080p@25fps NTSC: 1080p@30fps

General

OSD (On Screen Display):	English
Coaxial control:	Coaxitron®, CCVC

I/O Interface

Video Outputs:	4 in 1 Switch between TVI, AHD, CVI and CVBS
----------------	--

Approvals

Protection Rating:	IP67 (IEC 60529-2013), IK10 (IEC 62262:2002)
Regulation:	CE, EAC, FCC, RoHS Compliant

Environmental

Operating Temperature:	-40 °C ~ 60 °C (-40 °F ~ 140 °F)
Humidity:	Less than 90%, non condensing

Electrical

Supply Voltage:	12 VDC ±10%
Power Consumption:	Max. 5 W

Mechanical

Mount:	Pan: 0° to 355°, tilt: 0° to 75°, rotation: 0° to 355°, 3-Axis Adjustment
Dimensions:	Ø 145 × 111 mm (Ø 5.67 × 4,37 inch)

Item Code: GD-CT-CC2126V

EAN CODE: 4260573063666

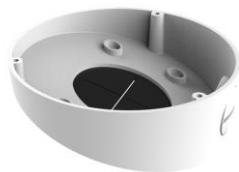
Mechanical

Weight: 640 g (1.41 lb)

Accessories:



GD-AC-VB02



GD-BR-AJX15



GD-BR-AJX16

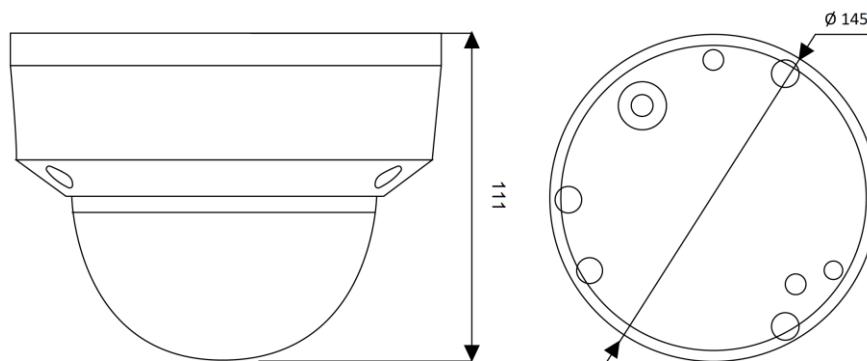


GD-BR-AMP17



GD-BR-AMW23

Dimensions:



Item Code: GD-CT-CC2126V

EAN CODE: 4260573063666

Item Code: GD-CT-CC2126V

EAN CODE: 4260573063666

® Abetechs GmbH (Grundig Security), Düsseldorf, Germany

grundig-security.com