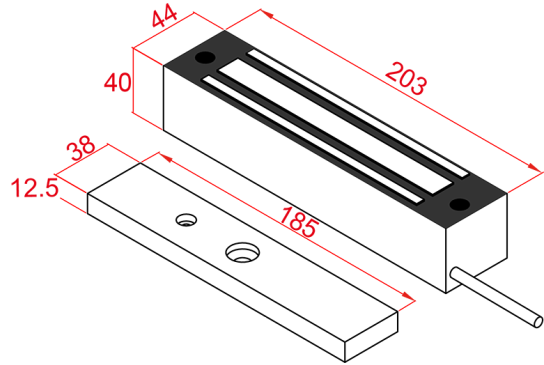


MAGNETIC LOCKS - Side Mounted **GL600 SERIES 600P**



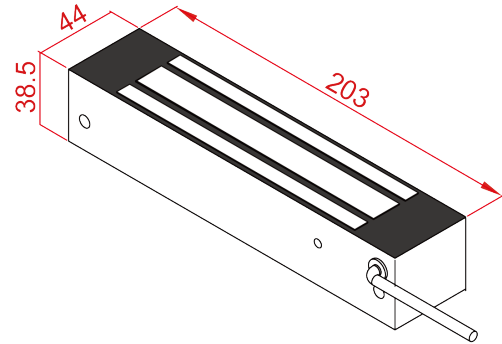
- Magnet (GL600) : 203L*44W*40H mm
- Armature Plate : 185L*38W*12.5T mm



▼ ORDERING INFORMATION



- Magnet (GL600S) : 203L*44W*38.5H mm
- Magnet (GL600SR-24V) : 203L*44W*40H mm



EXAMPLE :

- GL600 : Gatelock 600P Unmonitored , Face mounted, Basic
- GL600S : Gatelock 600P Unmonitored , Side mounted, Basic
- GL600R : Gatelock 600P , Face mounted W/Lock status sensor
- GL1600SR : Gatelock 600P , Side mounted W/Lock status sensor

▼ SPECIFICATION

- Stainless steel housing
- Built-in voltage spike suppressor
- Holding Force : about 600LBS
- Voltage : 12V/24VDC (Selectable)
- Current Draw : 500mA/12V , 250mA /24V
- Special Finish : Zinc (on the magnet & armature plate)

▼ FEATURES

- For out door use (water-proof) - all inner components are well sealed and be protected from environmental damages.
- Three meters long power cable for convinient installation
- Horizontal or vertical installation

▼ BRACKETS INSTALLATION



B1003 - L Bracket
B1011 - Adjustable L Bracket



B600Z - L&Z Bracket



U-185 - U Bracket



B0011A . B0012
Armature Plate Housing



B1004 / B1005