

# HED2PER3

TDN 1080p IR Ball Camera



HD







OPERATIONAL	
VIDEO STANDARD	NTSC/PAL
SCANNING SYSTEM	Progressive scan
IMAGE SENSOR	1/3" 2 MP CMOS
NUMBER OF PIXELS (H × V)	1920 × 1080
MINIMUM ILLUMINATION	0.08 lux colour @ F2.0 (Colour, 1/3s, 30 IRE), 0 lux B/W with IR LEDs on @ F2.0
S/N RATIO	> 45 dB
ELECTRONIC SHUTTER SPEED	1/3(4) – 1/100,000 s
IR DISTANCE	Up to 25 m (82 ft), depending on scene reflectance
SMART IR	Auto/Manual
DAY/NIGHT	Auto (ICR)/Colour/BW
BACKLIGHT COMPENSATION	BLC/HLC/DWDR
WHITE BALANCE	Auto/Natural/Street Lamp/Outdoor/Manual
GAIN CONTROL	Auto/Manual
NOISE REDUCTION	3D DNR
PRIVACY MASKING	Up to 4 configurable zones
MOTION DETECTION	Up to 4 configurable zones
REGION OF INTEREST	Up to 4 configurable zones
DIGITAL ZOOM	16x
LENS	2.8 mm, fixed, F2.0
ANGLE OF VIEW	110°/83° (H), 56°/44° (V)
VIDEO	
VIDEO COMPRESSION	H.265+/H.265/H.264+/H.264
RESOLUTION	1080p (1920×1080), SXGA (1280×1024), 1.3 MP (1280×960), 720p (1280×720), D1 (704×576/704×480), VGA (640×480), CIF (352×288/352×240)
FRAME RATE	2 MP at 1 – 25/30fps D1/CIF at 1 – 25/30fps
BIT RATE CONTROL	CBR/VBR
BIT RATE	H.265: 12K – 6400 Kbps H.264: 32K – 10240 Kbps
NETWORK	
ETHERNET	RJ-45 (10/100BASE-T)
SUPPORTED WEB BROWSERS	Internet Explorer (11.0+)
SUPPORTED OS	Windows 7 32-bit

NETWORK (CONT'D)	
PROTOCOLS	IPv4/v6, TCP/IP, UDP, RTP, RTSP, RTCP, HTTP, HTTPS, SSL, FTP, SMTP, DHCP, PPPoE, UPnP, SNMP v2/v3, Bonjour, DNS, DDNS, IEEE 802.1X, QoS, NTP
INTEROPERABILITY	ONVIF Profile S
MAXIMUM USER ACCESS	20 users
SECURITY	User account and password protection, HTTPS, IP filter, IEEE 802.1X, digest authentication, user access log, TLS1.2, AES-256, SSH/Telnet closed, FTP disabled
EVENT	Network disconnection, IP address conflict, illegal access, video tampering, motion detection
EVENT NOTIFICATION	Record (NAS and FTP), relay output, email, snapshot
ELECTRICAL	
POWER SUPPLY	PoE (802.3af) Class 0, 12 VDC
POWER CONSUMPTION	4.12 W max. (IR LEDs on)
MECHANICAL	
DIMENSIONS	93.4 mm × 79.7 mm (3.68" × 3.14")
PRODUCT WEIGHT	0.23 kg (0.51 lb)
PACKAGE WEIGHT	0.38 kg (0.85 lb)
CONSTRUCTION	Die-cast aluminum housing with powder coat
CONSTRUCTION COLOUR	RAL 9003 (White)
ENVIRONMENTAL	
OPERATING TEMPERATURE	-30°C to 55°C (-22°F to 131°F)
STORAGE TEMPERATURE	-30°C to 55°C (-22°F to 131°F)
RELATIVE HUMIDITY	Less than 95%, non-condensing
INGRESS PROTECTION	IP66
REGULATORY	
EMISSIONS	FCC Part 15B, EN 55032
IMMUNITY	EN 50130-4
SAFETY	EU: EN 60950-1 North America UL listed to UL/CSA 60950-1
ROHS	EN 50581

# TDN 1080p IR Ball Camera

## RECOMMENDED ACCESSORIES

SYSTEM COMPATIBILITY		MOUNTS AND ACCESSORIES	
HEN*4	8/16/32/64-channel Focus 4K NVRs (H.264/H.265)	HQA-WK2	 Wall Mount
HEN*2	4/8/16-channel Performance Series NVRs (H.264)	HQA-PM2**	 Pole Mount Bracket
		HB34S2-CM**	 Corner Mount Bracket
		HBS2-BB	 Junction Box

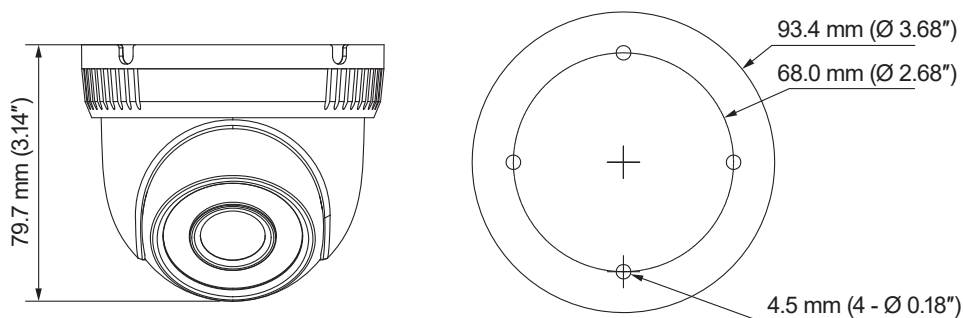
\* Pre-installed storage (TB).

\*\* The HBS2-BB junction box must be used when installing the camera to HQA-PM2 or HB34S2-CM.

## ORDERING

HED2PER3	Network TDN 1080p IR Ball Camera, 1/3" CMOS, 2.8 mm Fixed, 12 IR LEDs, PoE, H.265+
----------	--

## DIMENSIONS



### For more information

[www.honeywell.com/security](http://www.honeywell.com/security)

### Honeywell Security and Fire

Aston Fields Road  
Whitehouse Industrial Estate  
Runcorn, Cheshire, WA7 3DL  
United Kingdom  
Tel: +44 (0)8448 000 235  
[www.honeywell.com](http://www.honeywell.com)

### Honeywell Security Office -

Emaar Business Park, Sheikh Zayed Road  
Building No. 2, 2nd floor, 201  
Post Office Box 232362  
Dubai, United Arab Emirates  
Tel: +971 44541704  
[www.honeywell.com](http://www.honeywell.com)

Honeywell reserves the right, without notification, to make changes in product design or specifications.

HSFV-HED2PER3D-01-UK(1117)DS-E  
November 2017  
© 2017 Honeywell International Inc.

**Honeywell**