

DOOR ENTRY SYSTEMS

Video and audio intercom | Access control
Home automation



SHORT FORM CATALOGUE | 2023





Coming soon

GUARD UNIT

Add new features to your 2-WIRE video door entry system in a simple way.

Our new **desktop terminal** offers all kinds of advantages: 7" screen, missed call service, EHS headset support, auto switch-on of the entrance panels, calls between the concierges of the same installation...

How to choose the best solution for your installation

- 1 Choose between our 4 systems: IPAL (100% IP), 2-WIRE, DIGITAL and 4+N
- 2 Based on the type of installation, select the items you want to include:

page
6

SOLUTIONS FOR: SINGLE FAMILY HOMES & PUBLIC PREMISES

- The **Kits by ALCAD** are designed for small installations, mostly single family homes and public premises (businesses, offices, stores, etc.). Choose a system and select between:
 - [Video door entry kits](#)
 - [Audio door entry kits](#)
- If necessary, choose your **accessories**. Including:
 - [Electric locks](#)
 - [Additional entry panels](#)
 - [Additional handsets / monitors](#)

page
24

SOLUTIONS FOR: BUILDINGS

- All of our **systems for buildings** are designed to meet different needs. Start by choosing the system that best suits your installation – if you have any questions, you will find:
 - [Summary of technologies](#)
 - [Comparison of features](#)
- The elements of each system are **arranged in sections in a hierarchical way**, so that you can add, in a comfortable way, everything that you will need. Basically:
 - [Indoor terminals](#)
 - [Entrance panels](#)
 - [Electric locks](#)
 - [Guard unit *](#)
 - [Power supply units, splitters](#)
- At the end of each section you will find a list of related accessories.
- At the end of each system you will find standard examples to perform:
 - [Diagrams](#)
 - [Quotes](#)
- Finally, you can also add our **iACCESS access control system**, compatible with all the ALCAD systems.

* DIGITAL system

page
78

APPENDIX

We answer all your **queries** related to:

- Special product orders and custom manufacturing products:
 - [Examples of special products orders](#)
- Choice of accessories for entrance panels: flush-mounted boxes, surface boxes and rain shields.
 - [Dimensions and accessories](#)
- Complete lists of products, both by code and by model.
 - [Lists of products](#)



NEW ENTRANCE PANELS
USOA AND **ALOI**

So incredible they look like

A PIECE OF ART

With a carefully designed aesthetic and a technologically advanced interior, our new video door entry ranges do not go unnoticed. In addition, the quality of their materials makes them an ideal element to withstand wear and tear from intensive use and the most adverse weather conditions.



Colours
as you had
never seen



INDEX

6 Kits

6 VIDEO DOOR ENTRY KITS	
Feature summary	6
IPAL kit	8
Erlea Plus kit.....	9
USOA kit	10
Aloi kits.....	12
iBLACK kits	14
DIGITAL kits	16

18 AUDIO DOOR ENTRY KITS	
Feature summary	18
DIGITAL kits	20
4+N kits	22
Other kits	22

24 Buildings

24 SUMMARY OF TECHNOLOGIES	
Summary of technologies	24
Comparative of technologies	26
Comparative of diagrams	27

28 IPAL SYSTEM	
Indoor units	28
Entrance panels	28
Home automation elements	29
Guard unit	30
Splitters and power supply units	30
Diagram	31

32 2-WIRE SYSTEM	
Indoor units	32
Entrance panels	34
USOA	34
Aloi	38
iBLACK	40
L201	44
Vandal-proof made to measure	50
Electric locks	50
Power supply units, splitters and regenerators	51
Standard quotes and diagrams	52

60 DIGITAL SYSTEM	
Indoor units	60
Guard unit	61
Entrance panels	62
201 Line	62
Vandal-proof made to measure	64
Electric locks	65
Power supply units and splitters	65
Standard quotes and diagrams	62

68 4+N SYSTEM	
Indoor units	68
Entrance panels	69
201 Line	69
Vandal-proof made to measure	71
Electric locks	72
Power supply units	72
Standard quotes and diagrams	73

74 iACCESS	
iACCESS	74
Standard quotes and diagrams	77

78 Appendix

78 EXAMPLES OF SPECIAL PRODUCT ORDERS	
201 Line Entrance panels	
MPD-900.....	78
MPD-901	79
201 Line Entrance panels	
MPD-902.....	80
MPD-903	81
201 Line Entrance panels	
MKD-900	82
Aloi Frames	
MAR-600 / MAR-601 / MAR-602	84
Usoa + iBLACK + 201 Line Frames	
MAR-900 / MAR-901 / MAR-902	85
iBLACK Entrance panels	
PPD-52900 / PPD-52901 / PPD-52902 /	
PPD-52903 / PPD-52904 / PPD-52905	86

88 DIMENSIONS & ACCESSORIES	
IPAL Entrance panels	88
USOA Entrance panels	89
Aloi Entrance panels	91
iBLACK Entrance panels	92
201 Line Entrance panels	94
Handsets, monitors and accessories	96


















102 LISTS OF PRODUCTS	
Lists by code	102
Lists by model	107

112 LEGAL NOTICE	
General terms of trade	112

KITS

VIDEO KITS FOR SINGLE FAMILY HOMES

Feature summary

		ENTRANCE PANEL	INDOOR UNIT	MODEL (Number of homes)	WIRING
	(Page 8)			KIP-00300 (1 home)	IP
	(Page 9)			KVS-31221 (1 home)	2 wires
	(Page 10)			KVS-55121 (1 home)	2 wires
	(Page 12)			KVS-55321 (1 home)	2 wires
	(Page 14)			KVS-56121 (1 home)	2 wires
				KVS-56321 (1 home)	2 wires
				KVS-54121 (1 home)	2 wires
	(Page 16)			KVS-54221 (1 home)	2 wires
				KVS-54021 (1 home)	2 wires
				KVS-47201 (1 home)	4 wires + coax
				KVD-47201 (2 homes)	4 wires + coax
				KVS-47501 (1 home)	4 wires + twisted pair
				KVD-47501 (2 homes)	4 hilos + par trenzado



ENTRANCE PANEL MOUNTING	ADDITIONAL ENTRANCE PANEL	INDOOR UNIT SCREEN	HANDS-FREE	IMAGE CAPTURE	INTERCOMMUNICATION	NO. OF ADDITIONAL INDOOR UNITS	MAXIMUM DISTANCE WITHOUT ADDITIONAL ACCESSORIES	EXPANDABLE DISTANCE WITH ACCESSORIES	INCLUDES ELECTRIC LOCK	FORWARDS CALLS TO MOBILE PHONE
Flush-mounted / Surface	NO	7"	YES	YES	YES	+1	100m	-	NO	NO
Surface	NO	7"	YES	YES	YES	+2	80m	NO	NO	NO
Flush-mounted	+5	4,3"	YES	YES	NO	+5	270m	YES	NO	NO
Flush-mounted	+5	7"	YES	YES	NO	+5	270m	YES	NO	YES
Flush-mounted	+5	4,3"	YES	YES	NO	+5	270m	YES	NO	NO
Flush-mounted	+5	7"	YES	YES	NO	+5	270m	YES	NO	YES
Flush-mounted	+5	4,3"	YES	YES	NO	+5	270m	YES	NO	NO
Flush-mounted	+5	7"	YES	YES	NO	+5	270m	YES	NO	NO
Flush-mounted	+5	3,5"	NO	NO	NO	+5	270m	YES	NO	NO
Flush-mounted	+9	3,5"	NO	NO	NO	+3 per home	100m	NO	YES	NO
Flush-mounted	+9	3,5"	NO	NO	NO	+3 per home	100m	NO	YES	NO
Flush-mounted	+9	3,5"	NO	NO	NO	+3 per home	100m	NO	YES	NO
Flush-mounted	+9	3,5"	NO	NO	NO	+3 per home	100m	NO	YES	NO

Kit IPAL



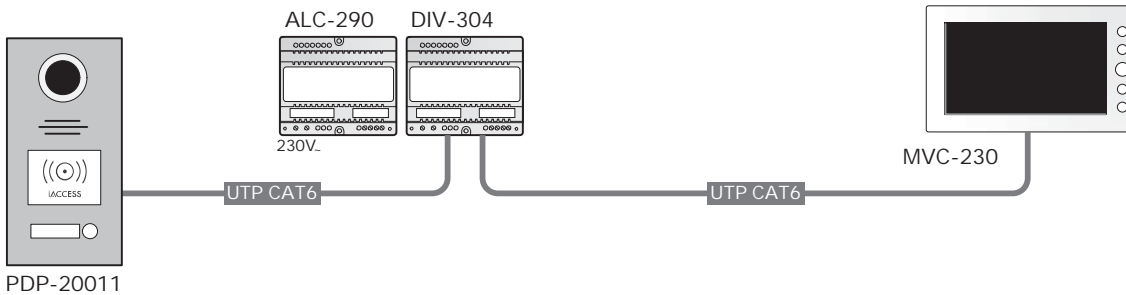
1 SINGLE-FAMILY HOME KIT

9720163 **KIP-00300**

IP video door entry kit for homes. Includes: KABI7 7" monitor with integrated Wi-Fi and RF chipsets for Home Automation, and an aluminum vandalproof flush-mounted entrance panel with one push-button and integrated keyless RFID access control

THE KIT INCLUDES:

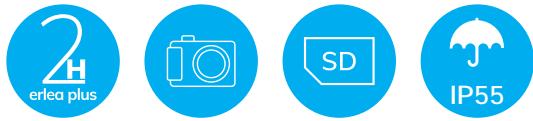
CODE	MODEL	DESCRIPTION
9800160	PDP-20011	1 push-button entrance panel (with flush-mounted box)
9630074	MVC-230	IPAL KABI7" Wi-Fi white indoor unit
9740227	CME-020	IPAL 86x86 standard flush box
9730100	DIV-304	Tap-off switch (4 outputs)
9620023	ALC-290	48V DC 65,3 VA 100-240 VAC power supply
9690018	LAC-020	Set of 5 proximity keys for residents
-	-	RFID card MIFARE (2 units)



/ Accessories

QTY.	CODE	MODEL	DESCRIPTION
SECOND INDOOR UNIT			
1 unit	9630074	MVC-230	Hands-free white KABI7" indoor monitor with integrated Wi-Fi and RF chipsets for IPAL system
1 unit	9740227	CME-020	Standard 86x86mm flushed box
SIMPLE ELECTRIC LOCK			
1 unit	9730062	ABR-015	Simple electric lock. 15 VDC
1 unit	9620011	ALM-040	25 VA power supply unit, video door entry system
RECOMMENDED CABLE			
-	9300065	TCA-100	Category 6 solid UTP cable, LSZH (305m)
ACCESS CONTROL			
1 unit	9690018	LAC-020	Set of 5 proximity keys for residents

Kit Erlea Plus



1 SINGLE-FAMILY HOME KIT 7" MONITOR

9720165 **KVS-31221**

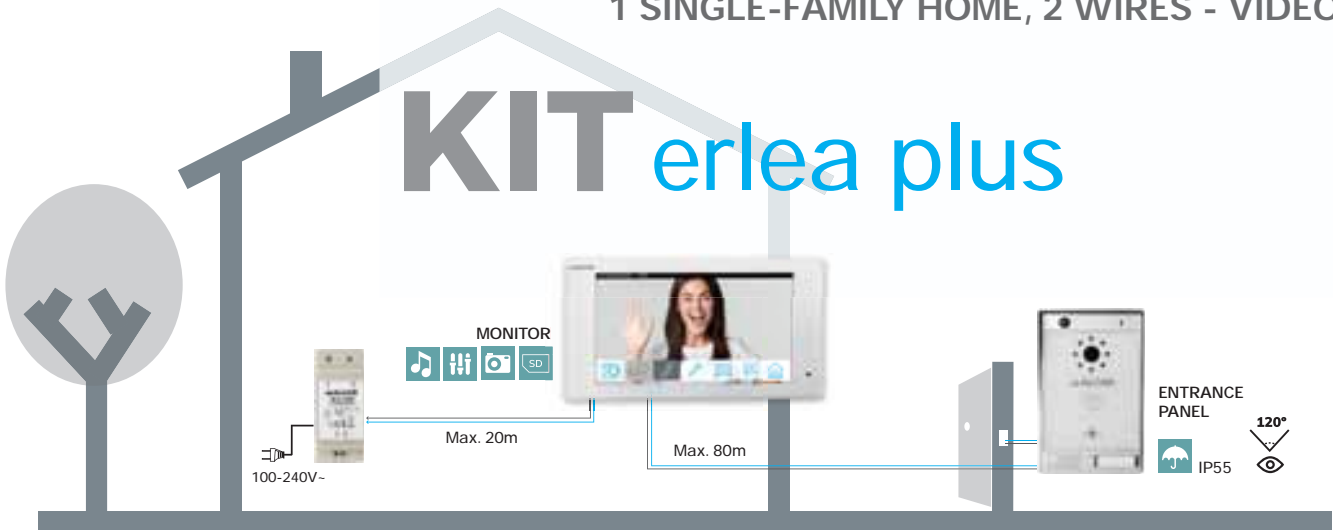
Erlea Plus home kit, 7" monitor with automatic image capture of unanswered calls and surface entrance panel with rain shield and iACCESS reader

THE KIT INCLUDES:

- Erlea Plus entrance panel with 1 touch capacitive button with panoramic vision of 120° and rain shield.
- Erlea Plus 7" monitor.
- Erlea Plus DIN rail feeder.
- 5 RFID keys: 3 for door opening and 2 for configuration.



1 SINGLE-FAMILY HOME, 2 WIRES - VIDEO



/ Accessories

QTY.	CODE	MODEL	DESCRIPTION
SECOND INDOOR UNIT			
1 unit	9630083	KMC-12800	Hands-free secondary Erlea Plus 7" indoor unit
SIMPLE ELECTRIC LOCK			
1 unit	9730062	ABR-015	Simple electric lock. 15 VDC
SIMPLE ELECTRIC LOCK FOR SECOND DOOR			
1 unit	9730062	ABR-015	Simple electric lock. 15 VDC
1 unit	9730057	ASC-051	Timed relay for door opener maneuver
1 unit	9620011	ALM-040	25VA power supply, 12VAC and 15VDC
RECOMMENDED CABLE			
-	9750005	CAB-007	Sleeved cable 2 x 1 mm ² (by 100m coils)
iACCESS KEY EXTENSION			
1 unit	9690018	LAC-020	Set of 5 proximity keys for residents

VIDEO DOOR ENTRY KITS

AUDIO DOOR ENTRY KITS

IPAL

2 WIRES

DIGITAL

4+N

iACCESS

EXAMPLES OF PRODUCTS

DIMENSIONS & ACCESSORIES

LISTS OF PRODUCTS

LEGAL NOTICE

Kits USOA



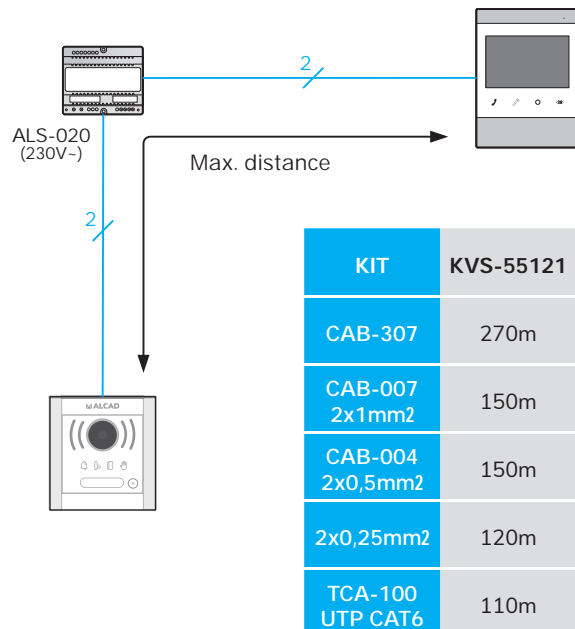
1 SINGLE-FAMILY HOME KIT 4.3" ENARA INDOOR UNIT

9720169 **KVS-55121**

USOA kit for 1 home, Enara hands-free 4.3" indoor unit with automatic image capture when calls are unanswered and 1 single push-button entrance panel

THE KIT INCLUDES:

CODE	MODEL	DESCRIPTION
9710002	FRA-002	2 windows frame for Usoa entrance panel
9710011	MVG-011	Audio & video module for Usoa. 1 button
9740005	CMO-002	Flush-mounted box for 1 or 2 storeys
9650004	ALS-020	Power supply unit interface
9630087	MVC-141	Enara hands-free 4.3" indoor unit
9730106	HST-002	Front removal tool



/ Accessories

QTY.	CODE	MODEL	DESCRIPTION
SECOND ENTRANCE PANEL			
1 unit	9710002	FRA-002	2 windows frame for Usoa entrance panel
1 unit	9710011	MVG-011	Audio & video module for Usoa. 1 button
1 unit	9740005	CMO-002	Flush-mounted box for 1 or 2 storeys
1 unit	9730082	DIV-152	Splitter, 2 outputs
SIMPLE ELECTRIC LOCK			
1 unit	9730062	ABR-015	Standard electric lock. 15 VDC
ELECTRONIC CALL EXTENSION			
1 unit	9730019	AAL-200	Electronic call extension to be used on installations with electronic call
RECOMMENDED CABLES			
-	9750009	CAB-307	Optimized screened sleeved cable 2x1 mm ² (by 100m coils)
-	9750010	CAB-357	Optimized screened sleeved cable 2x1 mm ² (by 500m coils)



**1 SINGLE-FAMILY HOME KIT
ENARA WI-FI 7" INDOOR UNIT**

9720170 **KVS-55321**

USOA kit for 1 home, Enara Wi-Fi hands-free 7" indoor unit with automatic image capture when calls are unanswered and 1 single push-button entrance panel

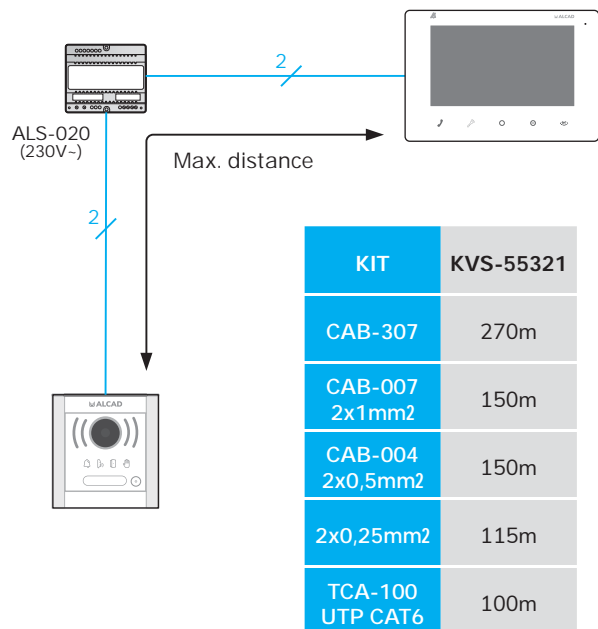
EL KIT INCLUDE:

CODE	MODEL	DESCRIPTION
9710002	FRA-002	2 windows frame for Usoa entrance panel
9710011	MVG-011	Audio & video module for Usoa. 1 button
9740005	CMO-002	Flush-mounted box for 1 or 2 storeys
9650004	ALS-020	Power supply unit interface
9630088	MVC-152	Enara hands-free 7" indoor unit
9730106	HST-002	Front removal tool

New

/ Accessories

QTY.	CODE	MODEL	DESCRIPTION
SECOND ENTRANCE PANEL			
1 unit	9710002	FRA-002	2 windows frame for Usoa entrance panel
1 unit	9710011	MVG-011	Audio & video module for Usoa. 1 button
1 unit	9740005	CMO-002	Flush-mounted box for 1 or 2 storeys
1 unit	9730082	DIV-152	Splitter, 2 outputs
SIMPLE ELECTRIC LOCK			
1 unit	9730062	ABR-015	Standard electric lock. 15 VDC
ELECTRONIC CALL EXTENSION			
1 unit	9730019	AAL-200	Electronic call extension to be used on installations with electronic call
RECOMMENDED CABLES			
-	9750009	CAB-307	Optimized screened sleeved cable 2x1 mm ² (by 100m coils)
-	9750010	CAB-357	Optimized screened sleeved cable 2x1 mm ² (by 500m coils)



Kits Aloï



1 SINGLE-FAMILY HOME KIT 4.3" ENARA INDOOR UNIT

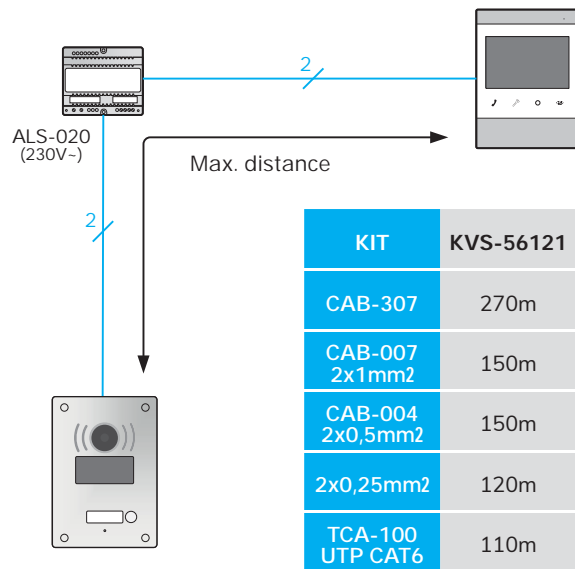
9720171 **KVS-56121**

Aloï kit for 1 home, Enara hands-free 4.3" indoor unit with automatic image capture when calls are unanswered and 1 single push-button entrance panel

THE KIT INCLUDES:

CODE	MODEL	DESCRIPTION
9800227	PTS-63201	Antivandal entrance panel with 1 push-button
9740244	CMO-602	Aloï flush-mounted box for 1-2 storeys
9650004	ALS-020	Power supply unit interface
9630087	MVC-141	Enara hands-free 4.3" indoor unit

New



/ Accessories

QTY.	CODE	MODEL	DESCRIPTION
SECOND ENTRANCE PANEL			
	1 unit	9800227	PTS-63201 Antivandal entrance panel with 1 push-button
	1 unit	9740244	CMO-602 Aloï flush-mounted box for 1-2 storeys
	1 unit	9730082	DIV-152 Splitter, 2 outputs
SIMPLE ELECTRIC LOCK			
	1 unit	9730062	ABR-015 Standard electric lock, 15 VDC
RECOMMENDED CABLES			
-	9750009	CAB-307	Optimized screened sleeved cable 2x1 mm ² (by 100m coils)
-	9750010	CAB-357	Optimized screened sleeved cable 2x1 mm ² (by 500m coils)

New



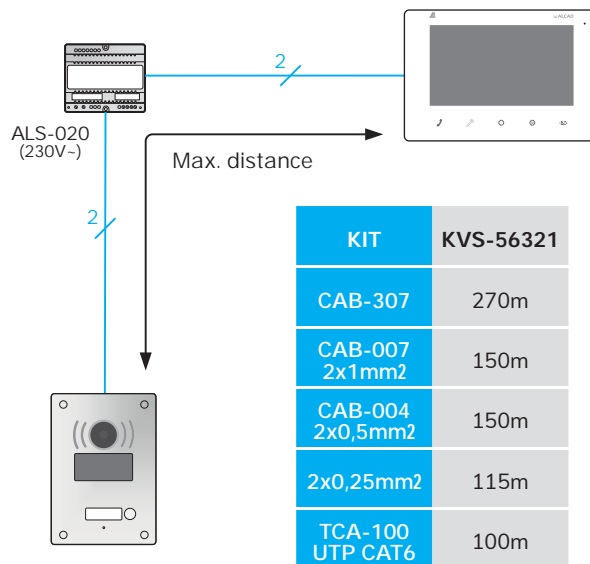
**1 SINGLE-FAMILY HOME KIT
ENARA WI-FI 7" INDOOR UNIT**

9720172 **KVS-56321**

Aloi kit for 1 home, Enara Wi-Fi hands-free 7" indoor unit with automatic image capture when calls are unanswered and 1 single push-button entrance panel

THE KIT INCLUDES:

CODE	MODEL	DESCRIPTION
9800227	PTS-63201	Antivandal entrance panel with 1 push-button
9740244	CMO-602	Aloi flush-mounted box for 1-2 storeys
9650004	ALS-020	Power supply unit interface
9630088	MVC-152	Enara hands-free 7" indoor unit



New

/ Accessories

QTY.	CODE	MODEL	DESCRIPTION
SECOND ENTRANCE PANEL			
	1 unit	9800227	PTS-63201 Antivandal entrance panel with 1 push-button
	1 unit	9740244	CMO-602 Aloi flush-mounted box for 2 storeys
1 unit	9730082	DIV-152	Splitter, 2 outputs
SIMPLE ELECTRIC LOCK			
1 unit	9730062	ABR-015	Standard electric lock. 15 VDC
RECOMMENDED CABLES			
-	9750009	CAB-307	Optimized screened sleeved cable 2x1 mm ² (by 100m coils)
-	9750010	CAB-357	Optimized screened sleeved cable 2x1 mm ² (by 500m coils)

New

Kits iBLACK

FLUSH-MOUNTED



1 SINGLE-FAMILY HOME KIT 4.3" ENARA INDOOR UNIT

9720167 **KVS-54121**

iBLACK kit for 1 home, Enara hands-free 4.3" indoor unit with automatic image capture when calls are unanswered and 1 single push-button entrance panel

THE KIT INCLUDES:

CODE	MODEL	DESCRIPTION
9670164	MAN-500	Push-button audio unit module
9670192	MVN-509	Active View colour video unit
9660082	PPS-52201	iBLACK ent. panel 1 single p.but., window 2 mod.
9740006	CMO-004	Flush-mounted box for 3 or 4 storeys
9650004	ALS-020	Power supply unit interface
9630087	MVC-141	Enara hands-free 4.3" indoor unit

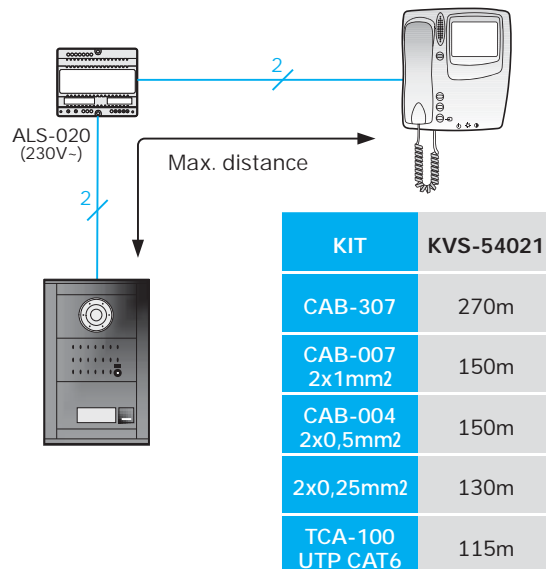
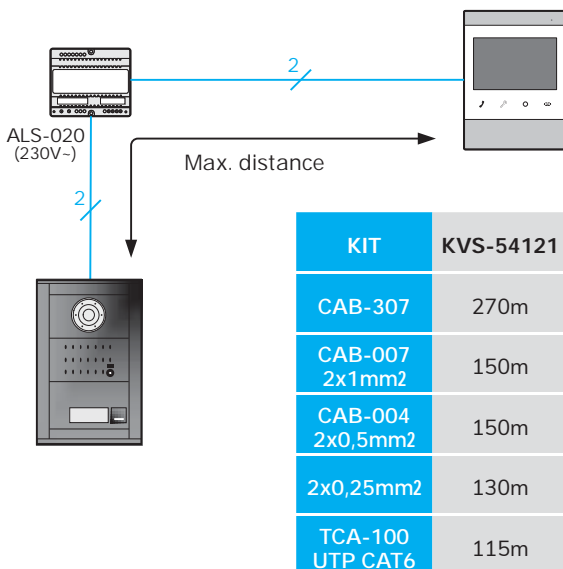
1 SINGLE-FAMILY HOME KIT 3.5" INDOOR UNIT

9720166 **KVS-54021**

iBLACK Kit with 1 single push-button entrance panel, and 3,5" indoor unit

THE KIT INCLUDES:

CODE	MODEL	DESCRIPTION
9670164	MAN-500	Push-button audio unit module
9670192	MVN-509	Active View colour video unit
9660082	PPS-52201	iBLACK ent. panel 1 single p.but., window 2 mod.
9740006	CMO-004	Flush-mounted box for 3 or 4 storeys
9650004	ALS-020	Power supply unit interface
9630086	MVC-018	2-Wires colour indoor unit, Linea 201 aesthetic
9630031	SCM-051	Indoor unit connections support





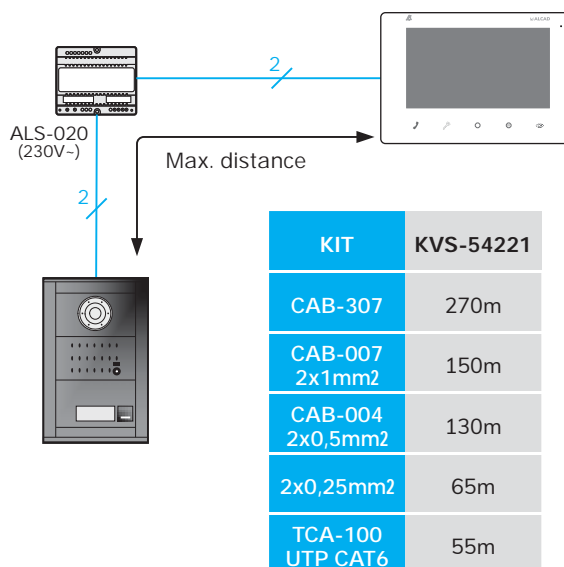
1 SINGLE-FAMILY HOME KIT ENARA 7" INDOOR UNIT

9720168 **KVS-54221**

iBLACK kit for 1 home, Enara hands-free 7" indoor unit with automatic image capture when calls are unanswered and 1 single push-button entrance panel

THE KIT INCLUDES:

CODE	MODEL	DESCRIPTION
9670164	MAN-500	Push-button audio unit module
9670192	MVN-509	Active View colour video unit
9660082	PPS-52201	iBLACK ent. panel 1 single p.but., window 2 mod.
9740006	CMO-004	Flush-mounted box for 3 or 4 storeys
9650004	ALS-020	Power supply unit interface
9630084	MVC-151	Enara hands-free 7" indoor unit



/ Accessories

QTY.	CODE	MODEL	DESCRIPTION
SECOND ENTRANCE PANEL			
1 unit	9670164	MAN-500	Audio unit module. Speaker and microphone
1 unit	9670192	MVN-509	Active View colour video unit module
1 unit	9660082	PPS-52201	Entrance panel with 1 single push-button and windows for 2 entrance panel modules
1 unit	9740006	CMO-004	Flush-mounted box for 3 or 4 storeys
1 unit	9730082	DIV-152	Splitter, 2 outputs
SIMPLE ELECTRIC LOCK			
1 unit	9730062	ABR-015	Standard electric lock. 15 VDC
SECOND SIMPLE ELECTRIC LOCK			
1 unit	9730062	ABR-015	Standard electric lock. 15 VDC
1 unit	9730097	APX-013	When connected to the entrance panel, it allows the use of the auxiliary buttons on the monitors
RAIN-SHIELD FOR ENTRANCE PANEL			
1 unit	9740110	VIS-112	Single rain-shield for 3 or 4 storeys
SURFACE BOX + RAIN-SHIELD FOR ENTRANCE PANEL			
1 unit	9740187	CSU-512	iBLACK simple surface box for 3 or 4 storeys
1 unit	9740137	VIS-212	Single rain-shield for surface box for 3 or 4 storeys
ELECTRONIC CALL EXTENSION			
1 unit	9730019	AAL-200	Electronic call extension to be used on installations with electronic call
RECOMMENDED CABLES			
-	9750009	CAB-307	Optimized screened sleeved cable 2x1 mm ² (by 100m coils)
-	9750010	CAB-357	Optimized screened sleeved cable 2x1 mm ² (by 500m coils)

☀ Until end of stock

VIDEO DOOR
ENTRY KITS

AUDIO DOOR
ENTRY KITS

IPAL

2 WIRES

DIGITAL

4+N

IAccess

EXAMPLES
OF PDMS

DIMENSIONS &
ACCESSORIES

LISTS OF
PRODUCTS

LEGAL
NOTICE

Kits DIGITAL



D

1 SINGLE-FAMILY HOME KIT 3.5" MONITOR 4 WIRES + COAXIAL

9720047 **KVS-47201**

Digital video door entry kit with 1 single push-button, 4 wires BUS and coaxial, with colour indoor unit

THE KIT INCLUDES:

CODE	MODEL	DESCRIPTION
-	-	Entrance panel 4+coaxial 1 push-button
9630008	MVC-002	Digital colour video indoor unit
9630004	SCM-030	Connec. bracket for digital indoor unit coax
9620015	ALC-041	Power supply unit DC 25 VA 230/240 VAC
9730062	ABR-015	Simple electric lock. 15 VDC
9740006	CMO-004	Caja empotrar. 3 ó 4 plantas montada

D

1 SINGLE-FAMILY HOME KIT 3.5" MONITOR 4 WIRES + TWISTED PAIR

9720108 **KVS-47501**

Digital video door entry kit with 1 single push-button, 4 wires BUS and twisted pair, with colour indoor unit

THE KIT INCLUDES:

CODE	MODEL	DESCRIPTION
-	-	Entrance panel 4+twisted pair 1 push-button
9630008	MVC-002	Digital colour video indoor unit
9630005	SCM-040	Connec. Digital indoor unit twisted pair
9620015	ALC-041	Power supply unit DC 25 VA 230/240 VAC
9730062	ABR-015	Simple electric lock. 15 VDC
9740006	CMO-004	Flush-mounted box for 3 or 4 storeys

D

2 SINGLE-FAMILY HOMES KIT 3.5" MONITOR 4 WIRES + COAXIAL

9720107 **KVD-47201**

Video door entry Kit with 1 double push-button and digital system, 4 wires BUS and coaxial with colour indoor unit

THE KIT INCLUDES:

- The same as KVS-47201 but with two push-button entrance panel, two indoor units and two connection supports.

D

2 SINGLE-FAMILY HOMES KIT 3.5" MONITOR 4 WIRES + TWISTED PAIR

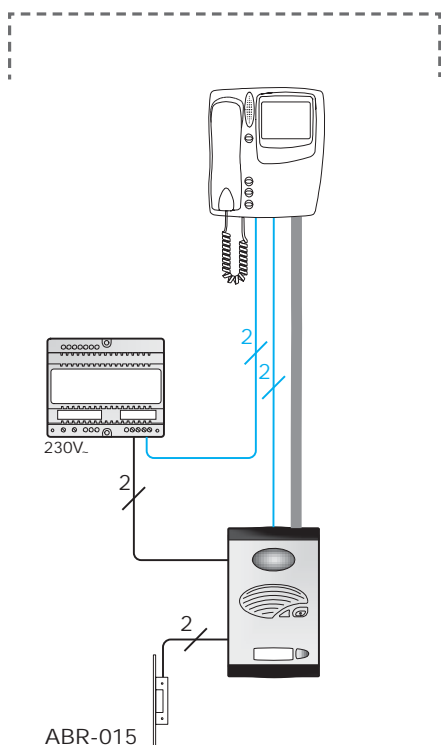
9720109 **KVD-47501**

Digital video door entry kit with 1 double push-button, 4 wires BUS and twisted pair, with colour indoor unit

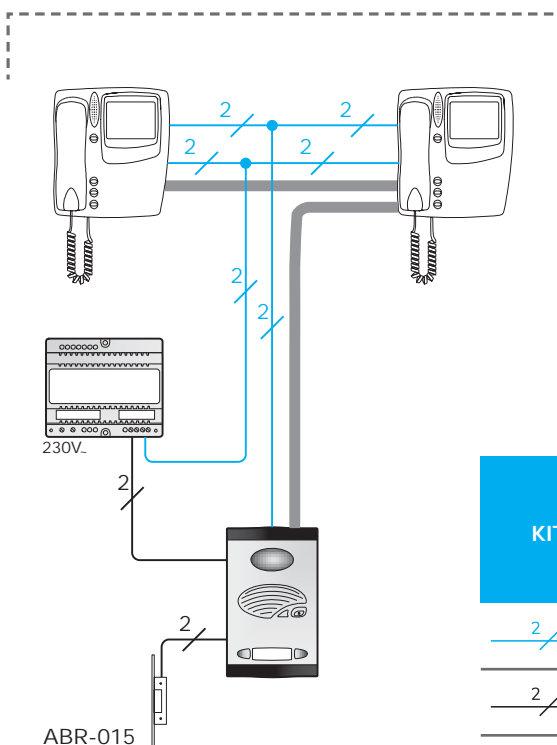
THE KIT INCLUDES:

- The same as KVS-47501 but with two push-button entrance panel, two indoor units and two connection supports.

KIT 1 HOME



KIT 2 HOMES



KIT	KVS-47201	KVD-47201	KVS-47501	KVD-47501
	CAB-007 2x1mm ² Up to 100m			
	CAB-007 2x1mm ² Up to 25m			
	CE-753 COAX 75Ω		TCA-100 UTP CAT6	












/ Accessories


QTY.	CODE	MODEL	DESCRIPTION
4-WIRE + COAX SECOND INDOOR UNIT			
1 unit	9630008	MVC-002	Video door entry system digital colour indoor unit
1 unit	9630004	SCM-030	Connection bracket for digital indoor unit with connections
4-WIRE + TWISTED PAIR SECOND INDOOR UNIT			
1 unit	9630008	MVC-002	Video door entry system digital colour indoor unit
1 unit	9630005	SCM-040	Connection bracket for digital indoor unit with connections
ADDITIONAL HANDSET			
1 unit	9600010	TED-002	Digital handset with electronic call and privacy of conversation, 2 push-buttons
CONNECT EXISTING AC ELECTRIC LOCK			
1 unit	9620001	ALA-040	Power supply unit 25VA, 12VAC
ENTRANCE PANEL RAIN-SHIELD			
	1 unit	9740110	VIS-112 Single rain-shield for 3 / 4 storeys
SURFACE BOX + ENTRANCE PANEL RAIN-SHIELD			
1 unit	9740101	CSU-212	Simple surface box for 3 / 4 storeys
	1 unit	9740137	VIS-212 Single rain-shield for surface box for 3 / 4 storeys
ELECTRONIC CALL EXTENSION			
1 unit	9730019	AAL-200	Electronic call extension. To be used with electronic call installations
RECOMMENDED CABLES			
-	9750005	CAB-007	Sleeved cable 2x1 mm ² (by 100m coils)
-	9100021	CE-753	7mm, 17dB/100m 800 MHz coaxial cable (by 100m coils)
-	9300065	TCA-100	Solid UTP category 6 cable, LSZH (by 100m coils)

Until end of stock

AUDIO KITS FOR SINGLE FAMILY HOMES

Feature summary

	ENTRANCE PANEL	HANDSET	MODEL (Number of homes)	WIRING
 L201	 (Page 20)		KAS-47021 (1 home)	2 wires
			KAD-47001 (2 homes)	2 wires
 VANDAL-PROOF	 (Page 20)		 KAS-67001 (1 home)	2 wires
			 KAD-67001 (2 homes)	2 wires
	 (Page 22)		KAS-41021 (1 home)	4+N
			KAD-41021 (2 homes)	4+N
			KAS-41003 (3 homes)	4+N
			KAD-41002 (4 homes)	4+N

 Until end of stock

ENTRANCE PANEL MOUNTING	ADDITIONAL ENTRANCE PANELS	NO. OF ADDITIONAL HANDSETS	NO. OF PUSH-BUTTONS ON HANDSET	DO NOT DISTURB FUNCTION	MAXIMUM DISTANCE WITHOUT ADDITIONAL ACCESSORIES	EXPANDABLE DISTANCE WITH ACCESSORIES	INCLUDES ELECTRIC LOCK
Flush-mounted	+9	+3 per home	1	NO	100m	NO	NO
Flush-mounted	+9	+3 per home	1	NO	100m	NO	YES
Flush-mounted	+9	+3 per home	1	NO	100m	NO	YES
Flush-mounted	+9	+3 per home	1	NO	100m	NO	YES
Flush-mounted	+0	+3 per home	1	NO	100m	NO	YES
Flush-mounted	+0	+3 per home	1	NO	100m	NO	NO
Flush-mounted	+0	+3 per home	1	NO	100m	NO	YES
Flush-mounted	+0	+3 per home	1	NO	100m	NO	YES

Kits DIGITAL



1 SINGLE FAMILY HOME KIT 201 LINE ENTRANCE PANEL

9700131 / **KAS-47021**

1 home. DIGITAL door entry kit with 1 single push-button. 201 Line entrance panel

THE KIT INCLUDES:

CODE	MODEL	DESCRIPTION
-	-	201 Line DIGITAL entrance panel. 1 push-button
9600007	TED-001	1 push-button DIGITAL
9740005	CMO-002	Flush-mounted box for 1 / 2 storeys
9620015	ALC-041	Power supply unit DC 25 VA 230/240 VAC



1 SINGLE FAMILY HOME KIT. VANDAL-PROOF ENTRANCE PANEL

9700118 / **KAS-67001**

1 home. Vandal-proof kit, 1 single push-button, with 2-wire DIGITAL system

THE KIT INCLUDES:

CODE	MODEL	DESCRIPTION
-	-	Vandal proof entrance panel. 1 push-button
-	-	Metal flush-mounted box
9600007	TED-001	1 push-button DIGITAL handset
9620015	ALC-041	Power supply unit DC 25 VA 230/240 VAC
9730062	ABR-015	Standard electric lock. 15 VDC



2 SINGLE FAMILY HOMES KIT 201 LINE ENTRANCE PANEL

9700107 / **KAD-47001**

2 homes. DIGITAL door entry kit with 1 double pushbutton, 2-wires BUS

THE KIT INCLUDES:

- The same as KAS-47021 but with 2 push-button entrance panels, 2 handsets and 9730062 / ABR-015 electric lock.



2 SINGLE FAMILY HOMES KIT. VANDAL-PROOF ENTRANCE PANEL

9700119 / **KAD-67001**

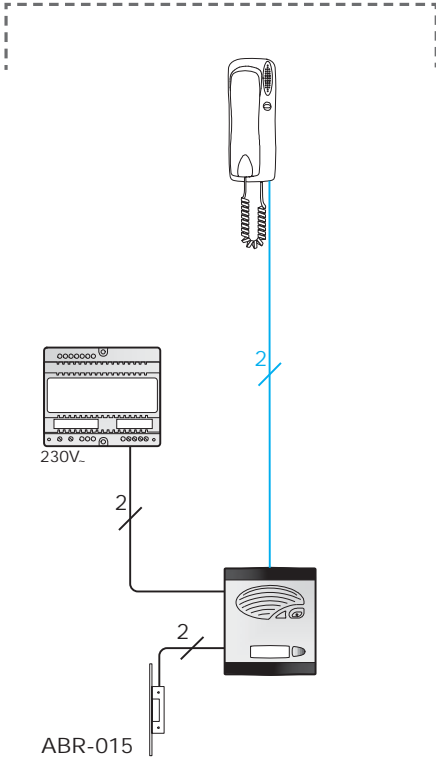
2 homes. Vandal-proof kit with 1 double push-button, with 2-wire DIGITAL system

THE KIT INCLUDES:

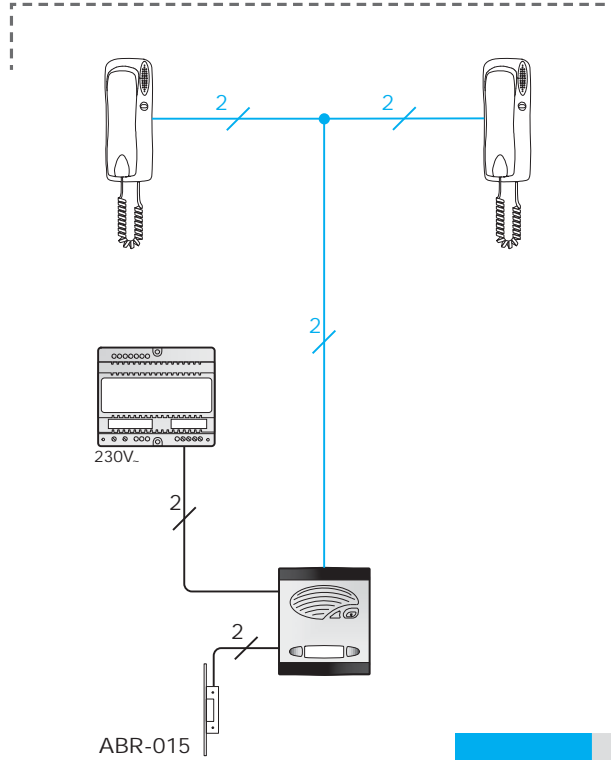
- The same as KAS-67001 but with 2 push-button entrance panels and 2 9600007 / TED-001 handsets.

Until end of stock

KIT 1 HOME



KIT 2 HOMES



KIT	KAS-47021	KAD-47001	KAS-67001	KAD-67001
2	CAB-007 2x1mm ² Up to 100m			
2	CAB-007 2x1mm ² Up to 25m			

/ Accessories

QTY.	CODE	MODEL	DESCRIPTION
ADDITIONAL HANDSET			
1 unit	9600007	TED-001	Digital handset with electronic call and privacy of conversation
CONNECT EXISTING AC ELECTRIC LOCK			
1 unit	9620001	ALA-040	25VA, 12VAC power supply unit
STANDARD ELECTRIC LOCK			
1 unit	9730062	ABR-015	Standard electric lock. 15 VDC.
CALL EXTENSION			
1 unit	9730019	AAL-200	Electronic call extension. To be used with electronic call
1 unit	9730018	AAL-120	Accessory required for the use of the electronic call extension or any other device which can be activated by means of an electronic call in installations with digital handsets
RECOMMENDED CABLE			
-	9750005	CAB-007	2x1mm ² sleeved cable (by 100m coils)

Kits 4+N



1 SINGLE FAMILY HOME KIT. 4+N HANDSET AND 201 LINE ENTRANCE PANEL

9700046 / **KAS-41021**

1 single family home kit, 1 4+N conventional handset with 1 single push-button and 1 201 Line flush-mounted entrance panel with 1 push-button

THE KIT INCLUDES:

CODE	MODEL	DESCRIPTION
-	-	Conventional 201L entrance panel. 1 push-button
9740005	CMO-002	Flush-mounted box for 1 / 2 storeys
9600001	TEL-001	Handset with electronic call
9620002	ALA-020	16 VA 230/240 VAC kit power supply unit



2 SINGLE FAMILY HOMES KIT. 4+N HANDSET AND 201 LINE ENTRANCE PANEL

9700047 / **KAD-41021**

2 single family homes kit, 2 4+N conventional handsets with 1 single push-button and 1 201 Line flush-mounted entrance panel with 2 push-buttons

THE KIT INCLUDES:

CODE	MODEL	DESCRIPTION
-	-	Conventional 201L entrance panel. 2 push-buttons (1 double push-button)
9740005	CMO-002	Flush-mounted box for 1 / 2 storeys
9600001	TEL-001	Handset with electronic call (2 units)
9620002	ALA-020	16 VA 230/240 VAC kit power supply unit



3 SINGLE FAMILY HOMES KIT. 4+N HANDSET AND 201 LINE ENTRANCE PANEL

9700038 / **KAS-41003**

3 single family homes kit, 3 4+N conventional handsets with 1 push-button and 1 201 Line entrance panel with 3 push-buttons

THE KIT INCLUDES:

CODE	MODEL	DESCRIPTION
-	-	Conventional 201L entrance panel. 3 push-buttons (3 single push-buttons)
9740006	CMO-004	Flush-mounted box for 3 / 4 storeys
9600001	TEL-001	Handset with electronic call (3 units)
9620002	ALA-020	16 VA 230/240 VAC kit power supply unit
9730000	ABR-001	Standard electrick lock. 12 VAC



4 SINGLE FAMILY HOMES KIT. 4+N HANDSET AND 201 LINE ENTRANCE PANEL

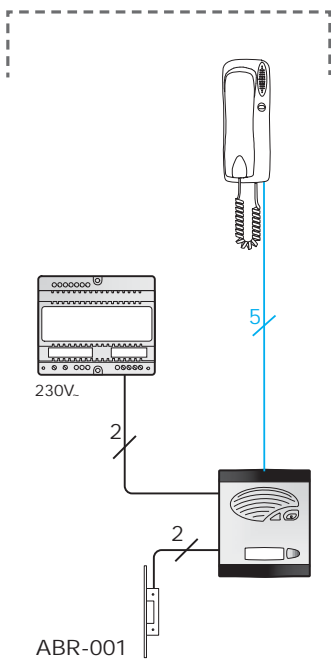
9700041 / **KAD-41002**

4 single family homes kit, 4 4+N conventional handsets with 1 push-button and 1 201 Line entrance panel with 4 push-buttons

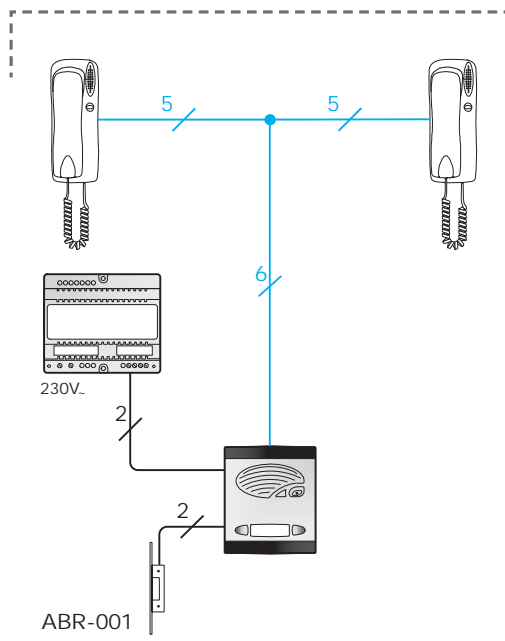
THE KIT INCLUDES:

CODE	MODEL	DESCRIPTION
-	-	Conventional 201L entrance panel. 4 push-buttons
9740005	CMO-002	Flush-mounted box for 1 / 2 storeys
9600001	TEL-001	Handset with electronic call (4 units)
9620002	ALA-020	16 VA 230/240 VAC kit power supply unit
9730000	ABR-001	Standard electrick lock. 12 VAC

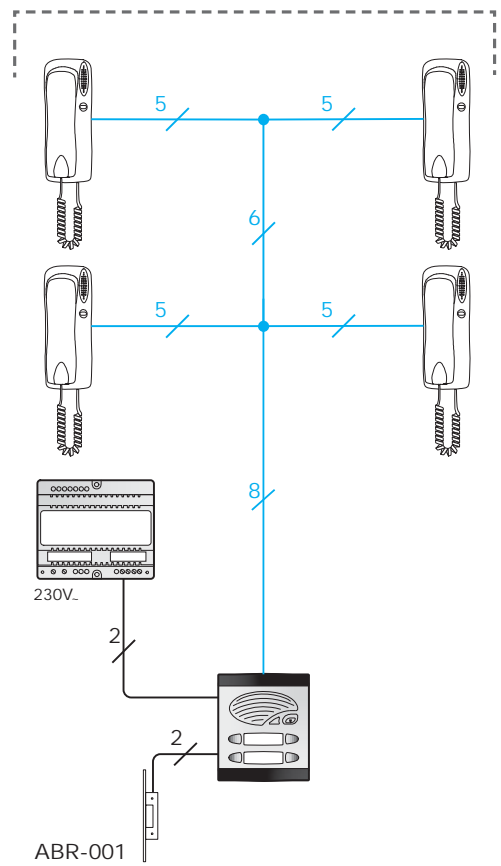
KIT 1 HOME



KIT 2 HOMES



KIT 4 HOMES



KIT	KAS-41021	KAD-41021	KAS-41003	KAD-41002
	Nx0,25mm ² Up to 100m			
	CAB-007 2x1mm ² Up to 25m			

/ Accessories

CODE	MODEL	DESCRIPTION
RAIN-SHIELDS		
9740109	VIS-111	Single rain-shield for 1 / 2 storeys
9740110	VIS-112	Single rain-shield for 3 / 4 storeys
9740111	VIS-113	Single rain-shield for 5 / 6 storeys
SURFACE BOXES		
9740100	CSU-211	Surface boxes for 1 / 2 storeys
9740101	CSU-212	Surface boxes for 3 / 4 storeys
9740102	CSU-213	Surface boxes for 5 / 6 storeys
ELECTRONIC CALL EXTENSION		
9730019	AAL-200	Electronic call extension for electronic call installations

Until end of stock

VIDEO DOOR ENTRY KITS

AUDIO DOOR ENTRY KITS

IPAL

2 WIRES

DIGITAL

4+N

iACCESS

EXAMPLES OF ORDERS

DIMENSIONS & ACCESSORIES

LISTS OF PRODUCTS

LEGAL NOTICE

BUILDINGS

Summary of technologies



The **IPAL** system is the 100% IP intercommunication and building management system designed and made by ALCAD. Its factory custom preconfiguration makes it the simplest IP system to install on the market since it does not require additional onsite programming.

IPAL has a very flexible architecture, making it perfect for any kind of installation: large, medium, small, old and new. Allows local and remote management of calls and door lock, and advanced home automation functions configured in your KABI7 and KABI10 indoor units like: alarms triggered by wireless and wired sensors, lighting control, heating/cooling system control, curtains control, scenes control and cameras viewer. It allows integration with third party fire alarm systems too.

Thanks to its integrated Wi-Fi chipset, KABI7 and KABI10 indoor monitors can connect directly to your internet router without additional hardware (internet connection not provided by ALCAD).

IPAL is a connected solution thanks to the free APP "IPAL by ALCAD" for Android and iOS.



Authentic Plug & Play



No limits



All-in-one security solution



Free app without additional hardware



Bidirectional video intercommunication



The **2-WIRE** video intercom system of ALCAD performs all communication through 2 non-polarized wires, through which the power supply is also distributed. Allows the reuse of existing wiring (taking only 2 wires) greatly facilitating the installation in the changes from audio door entry to video intercom. The 2-WIRE system has the greatest variety in entrance panels and indoor units, allowing to choose the aesthetic that best suits your needs.



Easy installation



Wide product range



Up to 600m and 1,500 houses



Reuses existing wiring



Flexible topology



Image capture

CHARACTERISTICS TABLE

Wiring	2 non-polarized wires, flexible topology
Cable types	<ul style="list-style-type: none"> - Parallel 2x1mm² ALCAD Optimized CAB-307 - Common Parallel (2x1mm², 2x0,5mm²...) - Twisted pair - UTP CAT5 - Replacing of a doorbell (2 wires) - 4+N cable <p>Note: Performance may vary depending on the cable used. Recommended cable: Parallel 2x1mm² ALCAD Optimized CAB-307.</p>
Max. distance outdoor entrance panel to indoor unit	600m
No. of homes	1,500
Terminal connections	2 unpolarized wires. Possibility of connection in derivation or cascade (from housing to housing)
Supply voltage	18Vcc



The **DIGITAL** system is a 2-wires audio door entry system for medium-sized installations, up to 96 homes with a push-button entrance panel and up to 950 with a keypad entrance panel. The communication bus to telephones lacks polarity connection. It has central concierge that allows communication between the houses and the concierge or security guard.



Easy installation



Up to 200m and 950 houses



Guard unit (concierge)

CHARACTERISTICS TABLE

Wiring	2 non-polarized wires, flexible topology. ⁽¹⁾
Cable types	- Parallel 2x1mm ² (for distances up to 100m) - Parallel 2x2,5mm ² (for maximum distances from 100m to 200m).
Max. distance outdoor entrance panel to indoor unit	200m
No. of homes	950
Terminal connections	2 non-polarized wires. Possibility of connection in derivation or cascade (from housing to housing). ⁽²⁾
Supply voltage	15Vcc

⁽¹⁾ The bus between the entrance panel and the handset lacks connection polarity. In video door entry system installations the wiring is 4 wires + coaxial

⁽²⁾ In the case of video door entry system terminals, the wiring is 4 wires + coaxial



The **4+N** system has become a classic, the traditional system with years of experience and proven efficiency. But the conventional system of ALCAD goes a step further and allows the realization of buildings with multiple accesses without the need for additional elements, integrating the entrance panel exchangers inside the own phonic groups of the entrance panels.



Standard 4+N system



Multiple accesses with no additional accessories








Useful and intuitive

CHARACTERISTICS TABLE

Wiring	4+N: 4 common wires and N call wires ⁽¹⁾
Cable types	- Multi-core cable hose (0,22 mm ²) - Power supply: Parallel 2x1mm ² .
Max. distance outdoor entrance panel to indoor unit	100m
No. of homes	200
Terminal connections	5 wires
Supply voltage	12Vca

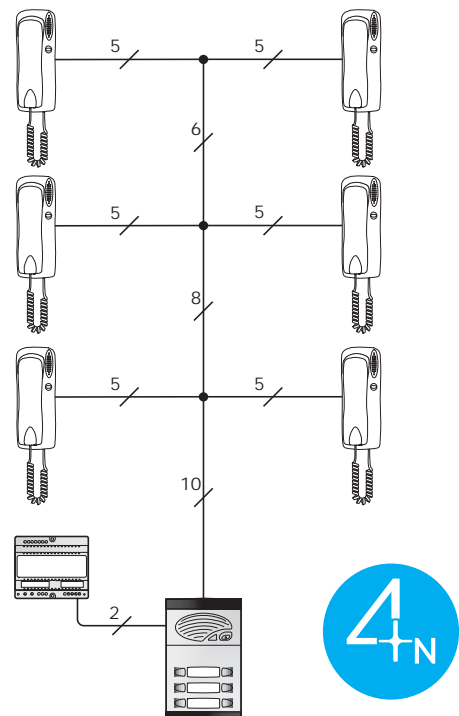
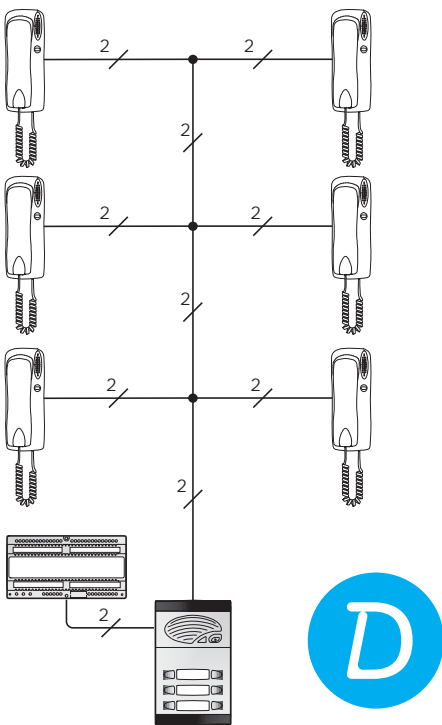
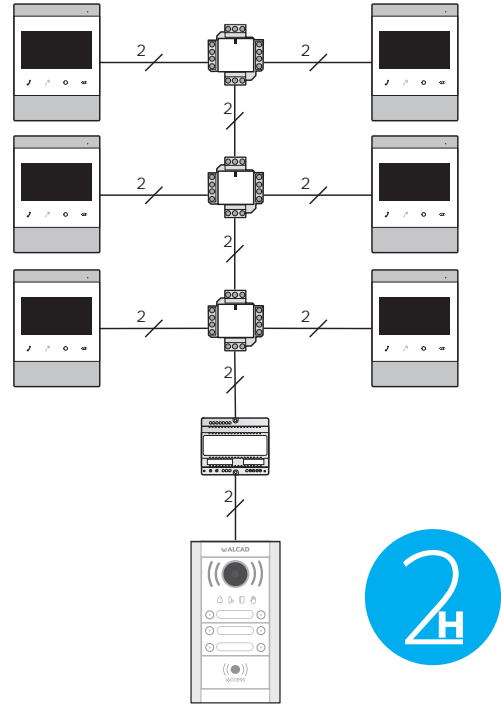
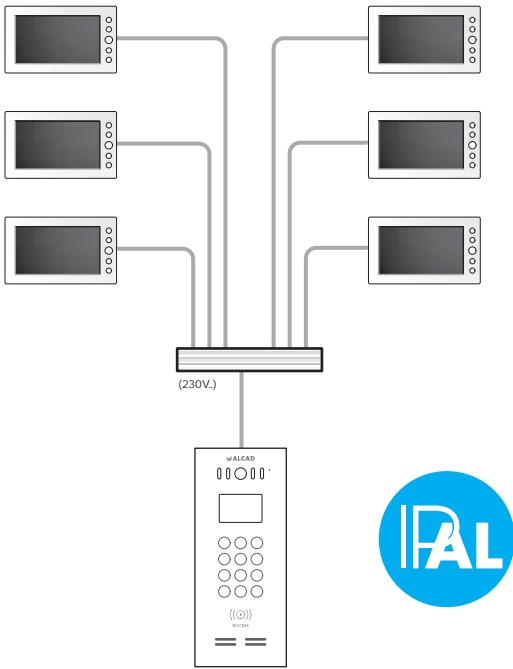
⁽¹⁾ N refers to the number of calls, or number of housings.

Comparative of technologies

				
Buildings (replacement using the existing wiring)		✓		✓
Small buildings	✓	✓	✓	✓
Medium-sized buildings	✓	✓	✓	
Large-sized buildings	✓			
Maximum distance	No limits	600m	200m	100m
Cabling	UTP Cat5	2 wires unpolarized	2 wires unpolarized ⁽¹⁾	4+N
Number of apartments	No limits	1.500	950	200
Guard unit	✓	Coming soon	✓	
Integration with iACCESS system	✓	✓	✓	✓
Communication secret	✓	✓	✓	✓  ⁽²⁾
Forwards calls to mobile phone	✓ ⁽⁴⁾	✓ ⁽⁴⁾		
Indoor units with video and image capture	✓	✓		
Intercommunication	✓ ⁽⁵⁾			✓ ⁽³⁾
Integration of surveillance cameras	✓			
Integration of home automation functions	✓			

- (1) The bus between entrance panel and phones lacks connection polarity. In video door entry installations the wiring is 4 wires + coaxial.
- (2) Available conventional system with GRF and telephones with secret and conventional system with phonic group and telephones without secret.
- (3) With TIN-001 telephones and GCI-001 intercom central.
- (4) Only for monitors with Wi-Fi, downloading the specific APP on the mobile phone. Requires contracting an Internet connection service for each home/office (not included in the system).
- (5) Bidirectional video and audio (indoor units: KABI7 and KABI10)

Comparative of diagrams



IPAL

Indoor units



9630074
MVC-230



9630090
MVC-231



9630078
MVC-250

/ Colour monitors

CODE	MODEL	DESCRIPTION
9630074	MVC-230	White hands-free video intercom indoor unit KABI7. 7" colour screen
9630090	MVC-231	White monitor. 7" colour screen
9630078	MVC-250	White hands-free video intercom indoor unit KABI10. 10" colour screen
9630080	MCO-300	KABI7" indoor monitor wired alarms connector (4 inputs)
9740227	CME-020	86x86 Standard IPAL flush-mounted box

 New

9800158
PDK-20002



9800171
PDK-20003



9800160
PDP-20011



Entrance panels

/ Entrance panels and accessories

CODE	MODEL	DESCRIPTION
9800158	PDK-20002	White capacitive IPAL keypad entrance panel with integrated RFID reader
9740228	CMO-702	Flush box for IPAL entrance panel models PDK-20001 and PDK-20002
9800171	PDK-20003	IPAL aluminum outdoor entrance panel with keypad and integrated RFID reader
9740229	CMO-703	Flush box for IPAL entrance panel model PDK-20003
9800160	PDP-20011	Vandalproof IPAL system entrance panel with 1 push-button
9690018	LAC-020	Set of 5 proximity keys for residents

Home automation elements



9790014
TER-000



9790002
MEC-102



9790004
MEC-300



9790013
WSN-400



9790008
HAA-001



9790010
WSN-500



9790012
WSN-300



9790005
MEC-200

/ Home automation elements

CODE	MODEL	DESCRIPTION
9790000	MEC-100	IPAL wireless touch dimmer device. Allows light intensity regulation
9790001	MEC-101	IPAL system wireless simple touch switch device to control 1 bulb or similar (max 2A/switch)
9790002	MEC-102	IPAL system wireless double touch switch device to control 2 bulbs or similar (max 2A/switch)
9790003	MEC-103	IPAL system wireless triple touch switch device to control 3 bulbs or similar (max 2A/switch)
9790005	MEC-200	IPAL wireless touch control mechanism for curtains, blinds... etc. Allows connectivity with KABLI indoor units
9790006	MEC-000	IPAL system Wireless scene control panel
9790004	MEC-300	IPAL system European plug type F
9790014	TER-000	IPAL Wi-Fi boiler thermostat ('IPALtherm' app)
9790007	HAA-000	Wireless sensor conversion interface IPAL system
9790008	HAA-001	RF repeater and amplifier for Home Automation. IPAL system
9790011	WSN-200	IPAL wireless flood sensor
9790012	WSN-300	IPAL wireless smoke sensor
9790013	WSN-400	IPAL wireless motion PIR sensor
9790010	WSN-500	IPAL wireless sensor for door / window

Guard unit



9680025
COV-200

/ Guard unit terminal

CODE	MODEL	DESCRIPTION
9680025	COV-200	IPAL 7" hands-free guard unit terminal

Splitters and power supply units



9730100
DIV-304



9620023
ALC-290



9730101
DIV-308

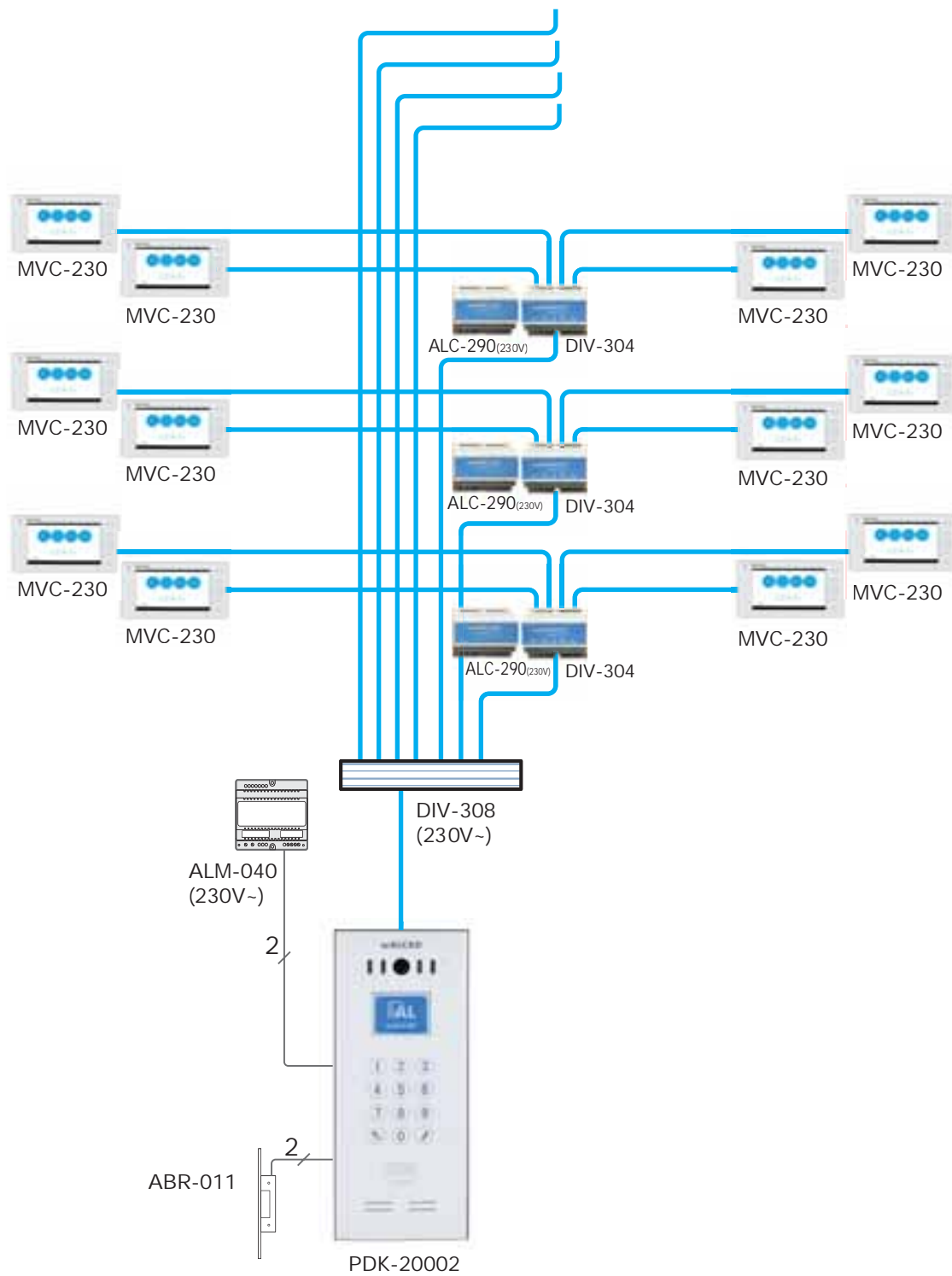


9730099
DIV-324

/ Tap-offs, power supply units

CODE	MODEL	DESCRIPTION
9730100	DIV-304	IPAL system tap-off with 4 PoE outputs + 1 down / uplink input
9730101	DIV-308	IPAL system 8 ports tap-off / Switch. 8 PoE tap-off outputs + 1 uplink
9730099	DIV-324	IPAL system 24 ports tap-off / Switch. 24 PoE tap-off outputs + 1 uplink
9620023	ALC-290	DC power supply unit, 48V dc 65.3 VA 100-240 Vac

Diagram



2 WIRES

Indoor units



Colours as you had never seen before

/ Active View monitors & handsets

MONITOR / HANDSET + SUPPORT			SCREEN	NO. OF ADDITIONAL PUSH-BUTTONS	AUTOMATIC IMAGE CAPTURE	AUTOMATIC DOOR OPENING	LANDING CALL	MICRO SD CARD SLOT	FORWARDS CALLS TO MOBILE PHONE	PHOTO
CODE	MODEL	DESCRIPTION								
9630087	MVC-141	Enara hands-free monitor with TFT screen	4,3"	1	✓	✓	✓	✓	✗	1
9630084	MVC-151	Enara hands-free monitor with TFT screen	7"	2	✓	✓	✓	✓	✗	2
9630088	MVC-152	Enara hands-free monitor with TFT screen	7"	2	✓	✓	✓	✓	✓	3
9630086	MVC-018	Indoor unit with TFT screen	3,5"	2	✗	✓	✓	✗	✗	4
9630031	SCM-051	Indoor unit support								
9630085	MVC-017	Indoor unit with TFT screen	3,5"	2	✗	✓	✓	✗	✗	5
9630031	SCM-051	Indoor unit support								
9600034	TET-002	Handset	✗	1	✗	✗	✗	✗	✗	6
9600036	TET-004	Handset	✗	3	✗	✓	✓	✗	✗	6
9600042	TET-302	Handset	✗	1	✗	✗	✓	✗	✗	6

1



2



3



Wi-Fi



9630031
SCM-051

4



5



6





/ Desktop support

CODE	MODEL	DESCRIPTION
9730049	SSM-001	For monitor with handset
9730029	SST-001	For handset



/ Decorative frames

FOR ENARA MONITOR		
CODE	MODEL	DESCRIPTION
9730104	MAE-401	Dimensions: 120x240mm
9730105	MAE-402	Dimensions: 210x240mm

FOR HANDSET		
CODE	MODEL	DESCRIPTION
9730092	MAE-101	Dimensions: 125x275mm
9730093	MAE-102	Dimensions: 250x275mm
9730091	MAE-902	Made to measure *

FOR MONITOR WITH HANDSET		
CODE	MODEL	DESCRIPTION
9730035	MAE-001	Dimensions: 250x275mm
9730036	MAE-002	Dimensions: 300x325mm
9730034	MAE-900	Made to measure *

* Made to measure in anodized aluminum.
Order example (see photo): MAE-900 (210x260), decorative frame for monitor, with 210mm outside width and 260mm height.

/ Electronic accessories

CODE	MODEL	DESCRIPTION
9730098	DIV-261	Tap-off to be integrated in SCM-05X, for 2-WIRE system, 1 low-loss tapped output and throughput
9730019	AAL-200	Electronic call extension
9730072	APX-011	Accessory to extend the functions of the handset: reception of landing calls, call repeater connection, etc.
9730021	ASC-050	Selector switch accessory activated by means of electronic call, buzzer call or external signal
9730057	ASC-051	Selector / switch accessory with timer activated by means of external control signal
9730097	APX-013	Accessory to extend the functions of the audio unit

VIDEO DOOR ENTRY KITS

AUDIO DOOR ENTRY KITS

IPAL

2 WIRES

DIGITAL

4+N

IACCESS

EXAMPLES OF PRODUCTS

DIMENSIONS & ACCESSORIES

LISTS OF PRODUCTS

LEGAL NOTICE



Entrance panels USOA

/ Frames

CODE	MODEL	DESCRIPTION
9710002	FRA-002	2 windows
9710003	FRA-003	3 windows
9710004	FRA-004	4 windows
9710005	FRA-005	5 windows
9710006	FRA-006	6 windows
9710007	FRA-007	7 windows
9710008	FRA-008	8 windows
9710009	FRA-009	9 windows
9710010	FRA-010	10 windows



9710005
FRA-005



9710009
FRA-009

/ Button modules

1 WINDOW

CODE	MODEL	DESCRIPTION
9710017	MPP-011	1 single button
9710018	MPP-021	1 double button
9710019	MPP-012	2 single buttons
9710020	MPP-022	2 double buttons

2 WINDOWS

CODE	MODEL	DESCRIPTION
9710021	MPG-013	3 single buttons
9710023	MPG-023	3 double buttons
9710022	MPG-014	4 single buttons
9710024	MPG-024	4 double buttons

Patch cords required for standard single rack mounting included



9710012
MVG-000



9710013
MVG-021



9710015
MAG-000



9710014
MAG-011

/ Complete modules

AUDIO AND VIDEO MODULES. 2 WINDOWS

CODE	MODEL	DESCRIPTION
9710012	MVG-000	Audio and video
9710011	MVG-011	Audio and video. 1 button
9710013	MVG-021	Audio and video. 2 buttons

AUDIO MODULES. 2 WINDOWS

CODE	MODEL	DESCRIPTION
9710015	MAG-000	Audio
9710014	MAG-011	Audio 1 button
9710016	MAG-021	Audio 2 pulsadores



9710017
MPP-011



9710020
MPP-022

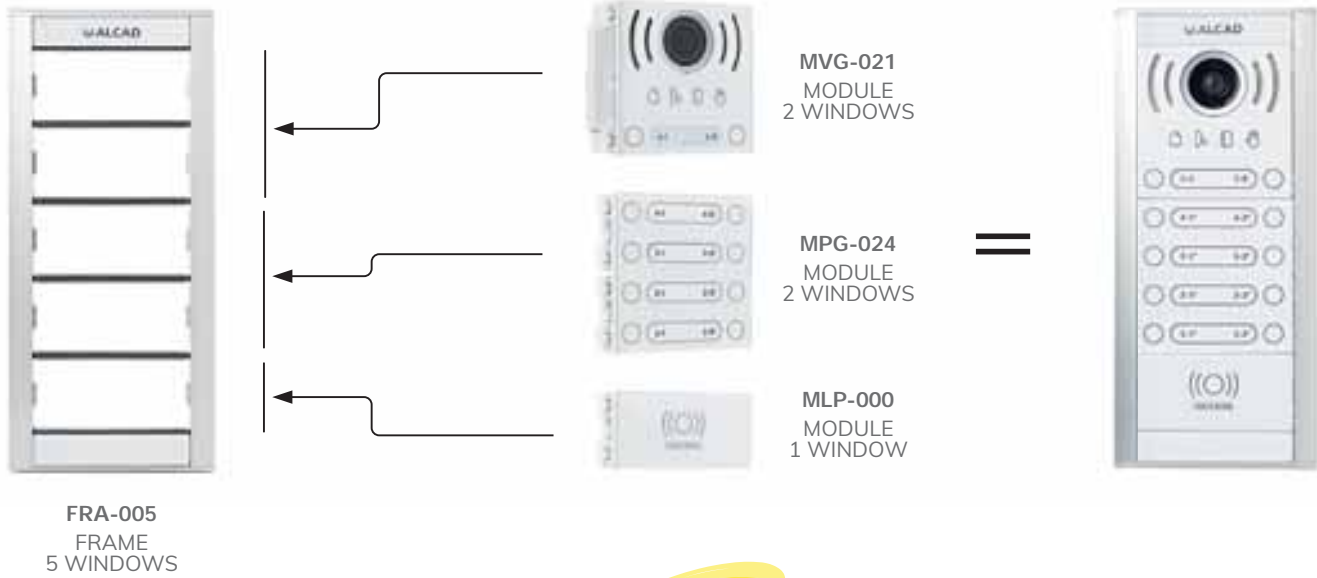


9710021
MPG-013



9710024
MPG-024

Composition example



Customise your installation in a simple and elegant way!



/ Other modules

1 WINDOW

CODE	MODEL	DESCRIPTION
9710025	MLP-000	iACCESS proximity reader module
9710028	MTP-000	Cardholder module
9710026	MCP-000	Blind module

2 WINDOWS

CODE	MODEL	DESCRIPTION
9710029	MTG-000	Double cardholder module
9710027	MCG-000	Double blind module

Patch cords required for standard single rack mounting included

/ Accessories and tools

CODE	MODEL	DESCRIPTION
9730106	HST-002	Front removal tool required to remove the entrance panel
9770078	RVE-027	Patch cord between modules, 110mm
9770079	RVE-028	Patch cord between modules, 350mm
9770080	RVE-029	Patch cord between modules, 750mm
9770084	RVE-033	Patch cord between modules, 1.000mm

/ Frames and trims

CODE	MODEL	DESCRIPTION
9740047	MAR-900	Single entrance panel frame *
9740016	MAR-901	Double entrance panel frame *
9740017	MAR-902	Triple entrance panel frame *
9710030	CUT-010	Customized screw covers (10 units)

New * Made to measure in anodized aluminum. Order example (see photo): MAR-900 (010, 210, 260), single entrance panel decorative frame, for CMO-010 flux-mounted box, with 210mm outer width and height of 260mm. For order examples, see page 85

VIDEO DOOR ENTRY KITS

AUDIO DOOR ENTRY KITS

IPAL

2 WIRES

DIGITAL

4+H

iACCESS

EXAMPLES OF ORDERS

DIMENSIONS & ACCESSORIES

LISTS OF PRODUCTS

LEGAL NOTICE



9740006
CMO-004



9740163
CSU-311



9740004
CEM-001



9710025
MLP-000



9690001
LAC-000



9690010
PLO-000

/ Flux-mounted boxes

CODE	MODEL	DESCRIPTION
9740005	CMO-002	2 windows
9740006	CMO-004	3 windows
9740007	CMO-006	4 windows
9740008	CMO-008	5 windows
9740009	CMO-010	6 windows
9740010	CMO-012	7 windows
9740011	CMO-014	8 windows
9740012	CMO-016	9 windows
9740015	CMO-018	10 windows
9740004	CEM-001	Separators (2 units)
9740208	CEM-002	Vertical separator

/ Surface boxes

CODE	MODEL	DESCRIPTION
9740234	CSU-712	2 windows
9740235	CSU-713	3 windows
9740236	CSU-714	4 windows
9740237	CSU-715	5 windows
9740238	CSU-716	6 windows
9740239	CSU-717	7 windows
9740240	CSU-718	8 windows
9740241	CSU-719	9 windows
9740242	CSU-710	10 windows

/ Angular surface boxes

CODE	MODEL	DESCRIPTION
9740163	CSU-311	2 windows
9740164	CSU-312	3 windows
9740165	CSU-313	4 windows
9740166	CSU-314	5 windows
9740167	CSU-315	6 windows
9740168	CSU-316	7 windows
9740169	CSU-317	8 windows
9740170	CSU-318	9 windows
9740171	CSU-319	10 windows

/ iACCESS

iACCESS READER MODULE

CODE	MODEL	DESCRIPTION
9710025	MLP-000	iACCESS reader module

RFID KEYS FOR NEIGHBOURS

CODE	MODEL	DESCRIPTION
FORMATO LLAVERO		
9690018	LAC-020	Set of 5 keys for single family home (no. 0, 1, 2, 3 and 4)
9690001	LAC-000	10 no. 0 keys
9690002	LAC-001	10 no. 1 keys
9690003	LAC-002	10 no. 2 keys
9690004	LAC-003	10 no. 3 keys
9690005	LAC-004	10 no. 4 keys
9690006	LAC-005	10 no. 5 keys
9690012	LAC-006	10 no. 6 keys
9690013	LAC-007	10 no. 7 keys
9690014	LAC-008	10 no. 8 keys
9690015	LAC-009	10 no. 9 keys

CARD FORMAT		
9690040	LAC-200	10 cards

RFID SPECIAL KEYS

CODE	MODEL	DESCRIPTION
KEYCHAIN FORMAT		
9690016	LAC-010	For configuration of the MLP-000 module
9690017	LAC-011	For access to multiple facilities

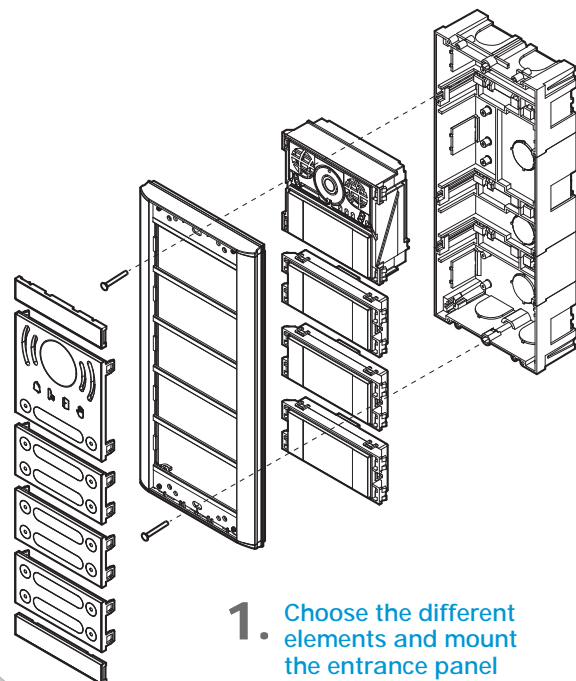
iACCESS KEY PROGRAMMER

CODE	MODEL	DESCRIPTION
KEYCHAIN FORMAT		
9690010	PLO-000	USB proximity key programmer

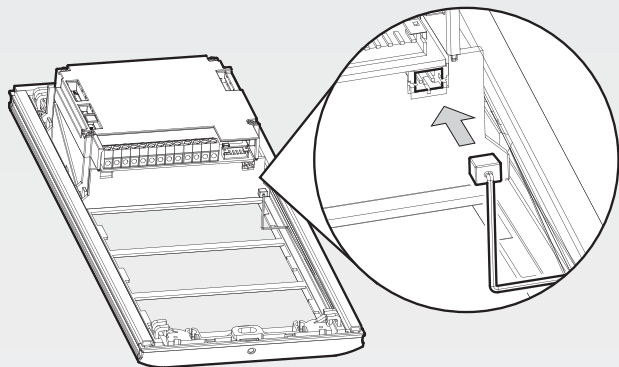
For further information regarding the iACCESS system, see pages 74-77

Usoa entrance panel

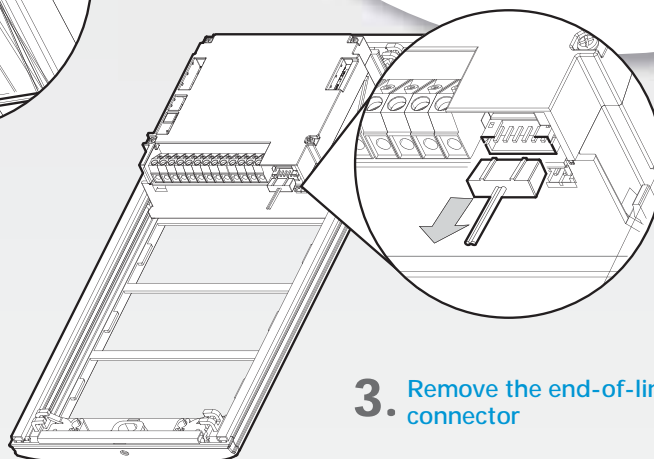
The modular entrance panel that adapts to you



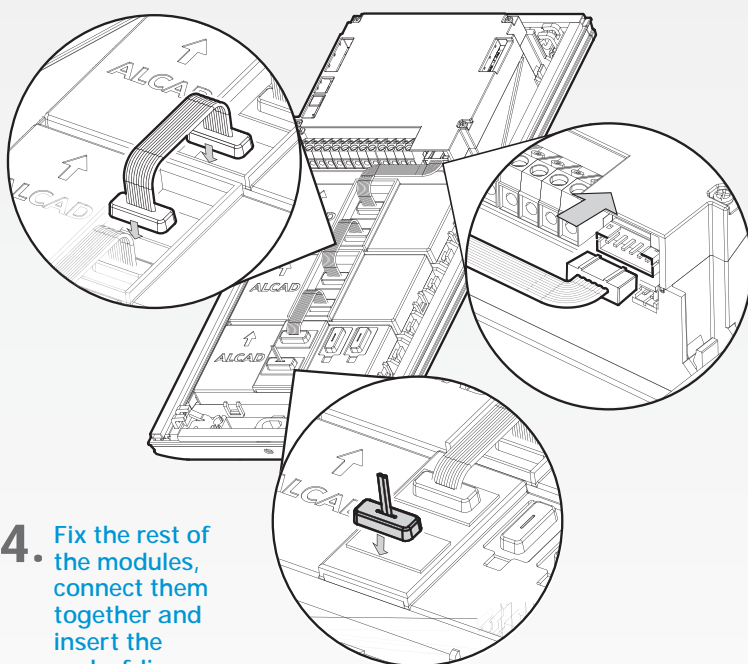
1. Choose the different elements and mount the entrance panel



2. Attach the main module and connect the microphone



3. Remove the end-of-line connector



4. Fix the rest of the modules, connect them together and insert the end-of-line connector

A simple start-up

In order to simplify as much as possible the commissioning of a USOA entrance panel, we have not left any detail to chance. And once you have all the modules connected to each other, you will only have to customize it:

- On the front, place the identification cards of the pushbuttons.
- **Voice messages:** select the language and spoken messages.
- **Main module:** adjust the light sensor; the illumination of the card holders and the camera with active communication; the anti-fog system with heater and the audio.



Entrance panels Aloï

/ Entrance panels

VANDAL-PROOF STAINLESS STEEL WITH PUSHBUTTONS AND COMPLETE MODULE (CAMERA, VOICE SYNTHESIZER, AUDIO UNIT AND ACCESSIBILITY DISPLAY)

SINGLE PUSH-BUTTONS

CODE	MODEL	PUSH-BUTTONS
9800227	PTS-63201	1
9800228	PTS-63202	2
9800229	PTS-63203	3
9800230	PTS-63204	4
9800231	PTS-63205	5
9800232	PTS-63206	6
9800233	PTS-63207	7
9800234	PTS-63208	8
9800235	PTS-63209	9
9800236	PTS-63210	10

DOUBLE PUSH-BUTTONS

CODE	MODEL	PUSH-BUTTONS
9800237	PTD-63201	2 (1 double)
9800238	PTD-63202	4 (2 doubles)
9800239	PTD-63203	6 (3 doubles)
9800240	PTD-63204	8 (4 doubles)
9800241	PTD-63205	10 (5 doubles)
9800242	PTD-63206	12 (6 doubles)
9800243	PTD-63207	14 (7 doubles)
9800244	PTD-63208	16 (8 doubles)
9800245	PTD-63209	18 (9 doubles)
9800246	PTD-63210	20 (10 doubles)
9800247	PTD-63211	22 (11 doubles)
9800248	PTD-63212	24 (12 doubles)

/ Entrance panel extensions

VANDAL-PROOF, MADE OF STAINLESS STEEL WITH PUSH-BUTTONS AND ACCESS CARDHOLDER / READER

SINGLE PUSH-BUTTONS

CODE	MODEL	PUSH-BUTTONS
9800249	PTS-64201	1
9800250	PTS-64202	2
9800251	PTS-64203	3
9800252	PTS-64204	4
9800253	PTS-64205	5
9800254	PTS-64206	6
9800255	PTS-64207	7
9800256	PTS-64208	8
9800257	PTS-64209	9
9800258	PTS-64210	10

New

DOUBLE PUSH-BUTTONS

CODE	MODEL	PUSH-BUTTONS
9800259	PTD-64201	2 (1 double)
9800260	PTD-64202	4 (2 doubles)
9800261	PTD-64203	6 (3 doubles)
9800262	PTD-64204	8 (4 doubles)
9800263	PTD-64205	10 (5 doubles)
9800264	PTD-64206	12 (6 doubles)
9800265	PTD-64207	14 (7 doubles)
9800266	PTD-64208	16 (8 doubles)
9800267	PTD-64209	18 (9 doubles)
9800268	PTD-64210	20 (10 doubles)
9800269	PTD-64211	22 (11 doubles)
9800270	PTD-64212	24 (12 doubles)

/ Electronics accessories

CODE	MODEL	DESCRIPTION
9730006	APC-001	Common door: activates the same door opener from several entrance panels
9730097	APX-013	Double relay for maneuvers with auxiliary push-buttons of the housing terminals and other functions
9730021	ASC-050	Relay for maneuvers with special openers and other functions
9730086	CCV-001	Connects a CCTV camera to an audio entrance panel
9730103	PPA-002	Illuminated vandal-proof timed push-button



Take advantage of its configuration possibilities, with up to 12 storeys and 96 pushbuttons

9800242
PTD-63206

9800264
PTD-64206

Mounting example: 12 push-button (6 doubles) entrance panel + 12 push-button (6 doubles) extension



9730006
APC-001



9730097
APX-013



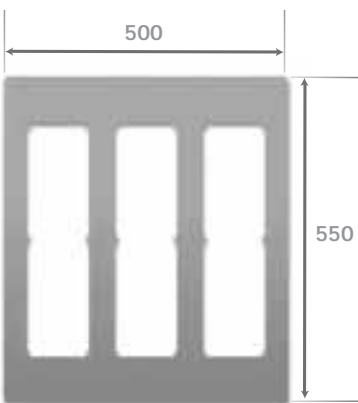
9690035
LPR-010



9730103
PPA-002



9690038
CCA-004



9740233
MAR-602



9670203
MVN-961

/ iACCESS RFID READER

CODE	MODEL	DESCRIPTION
9690035	LPR-010	Entrance panel with integrated antenna
9690038	CCA-004	Central post. 1 door advanced management

For further information regarding the iACCESS system, see pages 74-77

/ Flux-mounted boxes

CODE	MODEL	DESCRIPTION
9740243	CMO-601	For module
9740244	CMO-602	For 1 / 2 storeys
9740245	CMO-604	For 3 / 4 storeys
9740246	CMO-606	For 5 / 6 storeys
9740247	CMO-608	For 7 / 8 storeys
9740248	CMO-610	For 9 / 10 storeys
9740249	CMO-612	For 11 / 12 storeys
9740225	CEM-003	Separator

/ Personalization

CODE	MODEL	DESCRIPTION
9800153	MLI-000	Laser marking for writing texts on Aloi entrance panel *

* If you wish to request laser marking on the entrance panel, you must order the MLI-000 accessory

/ Accessories

CODE	MODEL	DESCRIPTION
9740231	MAR-600	Decorative frame 1 entrance panel *
9740232	MAR-601	Decorative frame 2 entrance panels *
9740233	MAR-602	Decorative frame 3 entrance panels *
9670203	MVN-961	Separate camera entrance panel (audio + video)

* Made to measure in stainless aluminum. Order example (see photo): MAR-602 (610, 500, 550), single entrance panel decorative frame, for CMO-610 flux-mounted box, with 500mm outer width and height of 550mm. For order examples, see page 84

New

Placas de calle iBLACK



9660066
PPS-52101



9660103
PPD-52106



9660072
PPS-52107



9660082
PPS-52201



9660086
PPS-52205



9660129
PPD-52216

/ Entrance panels

PANELS WITH PUSH-BUTTONS AND WINDOW FOR MODULE

SINGLE PUSH-BUTTONS. 1 WINDOW

CODE	MODEL	PUSH-BUTTONS
9660066	PPS-52101	1
9660067	PPS-52102	2
9660068	PPS-52103	3
9660069	PPS-52104	4
9660070	PPS-52105	5
9660071	PPS-52106	6
9660072	PPS-52107	7
9660073	PPS-52108	8
9660074	PPS-52109	9
9660075	PPS-52110	10
9660076	PPS-52111	11
9660077	PPS-52112	12
9660078	PPS-52113	13
9660079	PPS-52114	14
9660080	PPS-52115	15
9660081	PPS-52116	16

SINGLE PUSH-BUTTONS. 2 WINDOWS

CODE	MODEL	PUSH-BUTTONS
9660082	PPS-52201	1
9660083	PPS-52202	2
9660084	PPS-52203	3
9660085	PPS-52204	4
9660086	PPS-52205	5
9660087	PPS-52206	6
9660088	PPS-52207	7
9660089	PPS-52208	8
9660090	PPS-52209	9
9660091	PPS-52210	10
9660092	PPS-52211	11
9660093	PPS-52212	12
9660094	PPS-52213	13
9660095	PPS-52214	14
9660096	PPS-52215	15
9660097	PPS-52216	16

DOUBLE PUSH-BUTTONS. 1 WINDOW

CODE	MODEL	PUSH-BUTTONS
9660098	PPD-52101	2 (1 double)
9660099	PPD-52102	4 (2 doubles)
9660100	PPD-52103	6 (3 doubles)
9660101	PPD-52104	8 (4 doubles)
9660102	PPD-52105	10 (5 doubles)
9660103	PPD-52106	12 (6 doubles)
9660104	PPD-52107	14 (7 doubles)
9660105	PPD-52108	16 (8 doubles)
9660106	PPD-52109	18 (9 doubles)
9660107	PPD-52110	20 (10 doubles)
9660108	PPD-52111	22 (11 doubles)
9660109	PPD-52112	24 (12 doubles)
9660110	PPD-52113	26 (13 doubles)
9660111	PPD-52114	28 (14 doubles)
9660112	PPD-52115	30 (15 doubles)
9660113	PPD-52116	32 (16 doubles)

DOUBLE PUSH-BUTTONS. 2 WINDOWS

CODE	MODEL	PUSH-BUTTONS
9660114	PPD-52201	2 (1 double)
9660115	PPD-52202	4 (2 doubles)
9660116	PPD-52203	6 (3 doubles)
9660117	PPD-52204	8 (4 doubles)
9660118	PPD-52205	10 (5 doubles)
9660119	PPD-52206	12 (6 doubles)
9660120	PPD-52207	14 (7 doubles)
9660121	PPD-52208	16 (8 doubles)
9660122	PPD-52209	18 (9 doubles)
9660123	PPD-52210	20 (10 doubles)
9660124	PPD-52211	22 (11 doubles)
9660125	PPD-52212	24 (12 doubles)
9660126	PPD-52213	26 (13 doubles)
9660127	PPD-52214	28 (14 doubles)
9660128	PPD-52215	30 (15 doubles)
9660129	PPD-52216	32 (16 doubles)

/ Entrance panels

CONFIGURABLE MODULES WITH PUSH-BUTTONS

CODE	MODEL	DESCRIPTION
9660130	PPD-52900	1 to 8 storeys with window for entrance panel module *
9660131	PPD-52901	9 to 16 storeys with window for entrance panel module *
9660132	PPD-52902	1 to 8 storeys with windows for 2 entrance panel modules *
9660133	PPD-52903	9 to 16 storeys with windows for 2 entrance panel modules *
9660134	PPD-52904	3 to 10 storeys *
9660135	PPD-52905	11 to 18 storeys *

* For order examples, see pages 86 and 87



9690033
LPR-900



9690038
CCA-004



9800114
PNK-50000



9670200
MAN-502

/ iACCESS RFID READER

CODE	MODEL	DESCRIPTION
9690030	LPR-500	Module with iACCESS proximity reader
9690033	LPR-900	Compact panel with iACCESS reader
9690038	CCA-004	Central post. 1 door advanced management
9800114	PNK-50000	Entrance panel with keypad for access control

For further information regarding the iACCESS system, see pages 74-77



9670192
MVN-509



9670193
MVN-909

/ Audio unit

CODE	MODEL	DESCRIPTION
9670200	MAN-502	Audio unit module with "Door open" voice message
9670201	MAN-503	Audio unit module for external entrance with "Door open" voice message
9670164	MAN-500	Audio unit module
9670168	MAN-501	Audio unit module for external entrance



9670165
MTN-500



9670166
MLN-500

/ Camera

CODE	MODEL	DESCRIPTION
9670192	MVN-509	Video unit module. Active View
9679193	MVN-909	Compact panel. Active View

/ Modules: cardholder and blind

CODE	MODEL	DESCRIPTION
9670165	MTN-500	Cardholder module
9670166	MLN-500	Blind module

/ Entrance panels

ALPHANUMERIC KEYBOARD

9800195
PDK-51210



9800077
PTN-50000



CODE	MODEL	DESCRIPTION
9800195	PDK-51210	With audio unit, generic colour video unit, TFT screen, electronic directory and keypad
9800194	PDK-54210	With audio unit, generic colour video unit, TFT screen, electronic directory and keypad. For external entrance
9800079	PAK-51010	With audio unit, TFT screen, electronic directory and keypad
9800082	PAK-54010	With audio unit, TFT screen, electronic directory and keypad, for external entrance
9800077	PTN-50000	With call code-house indicator directory



9740006
CMO-004

9740007
CMO-006

9740008
CMO-008

9740009
CMO-010

9740010
CMO-012

9740187
CSU-512

9740191
CSU-516

/ Flux-mounted boxes

CODE	MODEL	DESCRIPTION
9740005	CMO-002	1 / 2 storeys
9740006	CMO-004	3 / 4 storeys
9740007	CMO-006	5 / 6 storeys
9740008	CMO-008	7 / 8 storeys
9740009	CMO-010	9 / 10 storeys
9740010	CMO-012	11 / 12 storeys
9740011	CMO-014	13 / 14 storeys
9740012	CMO-016	15 / 16 storeys
9740015	CMO-018	15 / 16 storeys. 2 windows
9740004	CEM-001	Separators (2 units)
9740208	CEM-002	Vertical separator

/ Surface boxes

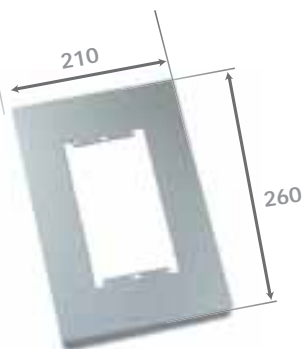
CODE	MODEL	DESCRIPTION
9740186	CSU-511	1 / 2 storeys
9740187	CSU-512	3 / 4 storeys
9740188	CSU-513	5 / 6 storeys
9740189	CSU-514	7 / 8 storeys
9740190	CSU-515	9 / 10 storeys
9740191	CSU-516	11 / 12 storeys
9740192	CSU-517	13 / 14 storeys
9740193	CSU-518	15 / 16 storeys
9740194	CSU-519	15 / 16 storeys. 2 windows
9740172	CSU-000	Separator

Door Entry Systems

Short form catalogue 2023



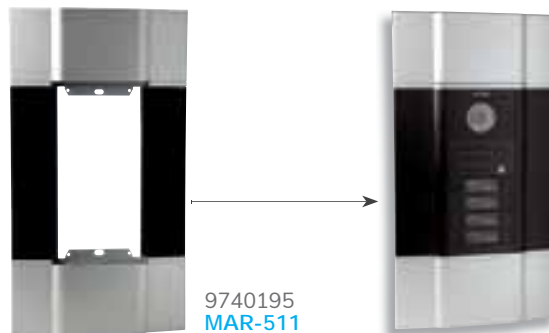
9740163
CSU-311



9740047
MAR-900

/ Angular surface boxes

CODE	MODEL	STOREYS
9740163	CSU-311	1 / 2 storeys
9740164	CSU-312	3 / 4 storeys
9740165	CSU-313	5 / 6 storeys
9740166	CSU-314	7 / 8 storeys
9740167	CSU-315	9 / 10 storeys
9740168	CSU-316	11 / 12 storeys
9740169	CSU-317	13 / 14 storeys
9740170	CSU-318	15 / 16 storeys
9740171	CSU-319	17 / 18 storeys



9740195
MAR-511

/ Frames and trims

CODE	MODEL	DESCRIPTION
9740047	MAR-900	Single entrance panel frame *
9740016	MAR-901	Double entrance panel frame *
9740017	MAR-902	Triple entrance panel frame *

* Made to measure in anodized aluminum. Order example (see photo): MAR-900 (010, 210, 260), single entrance panel decorative frame, for CMO-010 flux-mounted box, with 210mm outer width and height of 260mm. For order examples, see page 85

/ Panel extensions

CODE	MODEL	DESCRIPTION
9740195	MAR-511	1 / 2 storeys, 236x334mm
9740196	MAR-512	3 / 4 storeys, 236x382mm
9740197	MAR-513	5 / 6 storeys, 236x430mm
9740198	MAR-514	7 / 8 storeys, 236x478mm
9740199	MAR-515	9 / 10 storeys, 236x526mm
9740200	MAR-516	11 / 12 storeys, 236x574mm
9740201	MAR-517	13 / 14 storeys, 236x622mm
9740202	MAR-518	15 / 16 storeys, 236x670mm
9740203	MAR-519	15 / 16 storeys. 2 windows



9730006
APC-001



9730097
APX-013



9730086
CCV-001



9730103
PPA-002

/ Electronic accessories

CODE	MODEL	DESCRIPTION
9730006	APC-001	Common door: activates the same door opener from several entrance panels
9730097	APX-013	Double relay for maneuvers with auxiliary push-buttons of the housing terminals and other functions
9730021	ASC-050	Relay for maneuvers with special openers and other functions
9730086	CCV-001	Connects a CCTV camera to an audio entrance panel
9730103	PPA-002	Illuminated vandal-proof timed push-button

VIDEO DOOR
ENTRY KITS

AUDIO DOOR
ENTRY KITS

IPAL

2 WIRES

DIGITAL

4+N

IACCESS

EXAMPLES
OF ORDERS

DIMENSIONS &
ACCESSORIES

LISTS OF
PRODUCTS

LEGAL
NOTICE

Placas de calle Línea 201



9670182
MAN-420

9670194
MDN-422

9670189
MMN-420



9670196
MVN-922

9800006
PNK-00000

/ Upper modules

WITH AUDIO UNIT, CAMERA,
CARDHOLDER OR iACCESS

SINGLE MODULES

CODE	MODEL	DESCRIPTION
9670182	MAN-420	Audio unit
9670197	MVN-409	Active View camera
9690034	LPR-200	iACCESS cardholder
9670018	MTN-000	Cardholder
9670021	MLN-000	Blank

DOUBLE MODULES

CODE	MODEL	DESCRIPTION
9670194	MDN-422	Audio unit and Active View camera *
9670198	MDN-423	Active View camera and audio unit *
9670189	MMN-420	Audio unit and iACCESS cardholder *
9670086	MLT-000	Blank and cardholder *

TRIPLE MODULES

CODE	MODEL	DESCRIPTION
9670195	MDT-422	Audio unit, Active View camera and iACCESS cardholder *
9670199	MDT-423	Active View camera, audio unit and iACCESS cardholder *

* The description refers to the order, from bottom to top, in which the elements are arranged

/ Compact entrance panels

WITH CAMERA OR KEYPAD
FOR ACCESS CONTROL

CODE	MODEL	DESCRIPTION
9670196	MVN-922	Active View camera
9800006	PNK-00000	Keypad for access control

/ iACCESS RFID READER

CODE	MODEL	DESCRIPTION
9690034	LPR-200	iACCESS cardholder
9670195	MDT-422	Audio unit, Active View camera and iACCESS cardholder *
9670199	MDT-423	Active View camera, audio unit and iACCESS cardholder *
9690038	CCA-004	Advanced management central post
9770083	RVE-032	iACCESS antenna for cardholder

* The definition refers to the order, from bottom to top, in which the elements are arranged.

For further information regarding the iACCESS system, see pages 74-77



9670195
MDT-422

9670199
MDT-423



/ Lower modules WITH PUSH-BUTTONS

SINGLE PUSH-BUTTONS		
CODE	MODEL	PUSH-BUTTONS
9660146	MPS-101	1
9660147	MPS-102	2
9660160	MPS-103	3
9660148	MPS-104	4
9660161	MPS-105	5
9660149	MPS-106	6
9660162	MPS-107	7
9660150	MPS-108	8
9660163	MPS-109	9
9660164	MPS-110	10
9660165	MPS-111	11
9660166	MPS-112	12
9660167	MPS-113	13
9660168	MPS-114	14
9660169	MPS-115	15
9660170	MPS-116	16

DOUBLE PUSH-BUTTONS		
CODE	MODEL	PUSH-BUTTONS
9660171	MPD-101	2 (1 double)
9660151	MPD-102	4 (2 doubles)
9660152	MPD-103	6 (3 doubles)
9660153	MPD-104	8 (4 doubles)
9660154	MPD-105	10 (5 doubles)
9660155	MPD-106	12 (6 doubles)
9660172	MPD-107	14 (7 doubles)
9660156	MPD-108	16 (8 doubles)
9660173	MPD-109	18 (9 doubles)
9660157	MPD-110	20 (10 doubles)
9660174	MPD-111	22 (11 doubles)
9660175	MPD-112	24 (12 doubles)
9660176	MPD-113	26 (13 doubles)
9660177	MPD-114	28 (14 doubles)
9660178	MPD-115	30 (15 doubles)
9660179	MPD-116	32 (16 doubles)

VIDEO DOOR
ENTRY KITS

AUDIO DOOR
ENTRY KITS

IPAL

2 WIRES

DIGITAL

4+N

IACCESS

EXAMPLES
OF ORDERS

DIMENSIONS &
ACCESSORIES

LISTS OF
PRODUCTS

LEGAL
NOTICE

CONFIGURABLE PUSH-BUTTONS

CODE	MODEL	STOREYS
9660158	MPD-902	1 to 8 *
9660159	MPD-903	9 to 16 **

* For order examples, see page 80
** For order examples, see page 81



9660158
MPD-902



9660159
MPD-903



9730006
APC-001



9730097
APX-013



9730021
ASC-050



9730086
CCV-001



9730103
PPA-002

/ Electronic accessories

CODE	MODEL	DESCRIPTION
9730006	APC-001	Common door: activates the same door opener from several entrance panels
9730097	APX-013	Double relay for maneuvers with auxiliary push-buttons of the housing terminals and other functions
9730021	ASC-050	Relay for maneuvers with special openers and other functions
9730086	CCV-001	Connects a CCTV camera to an audio entrance panel
9730103	PPA-002	Illuminated vandal-proof timed push-button

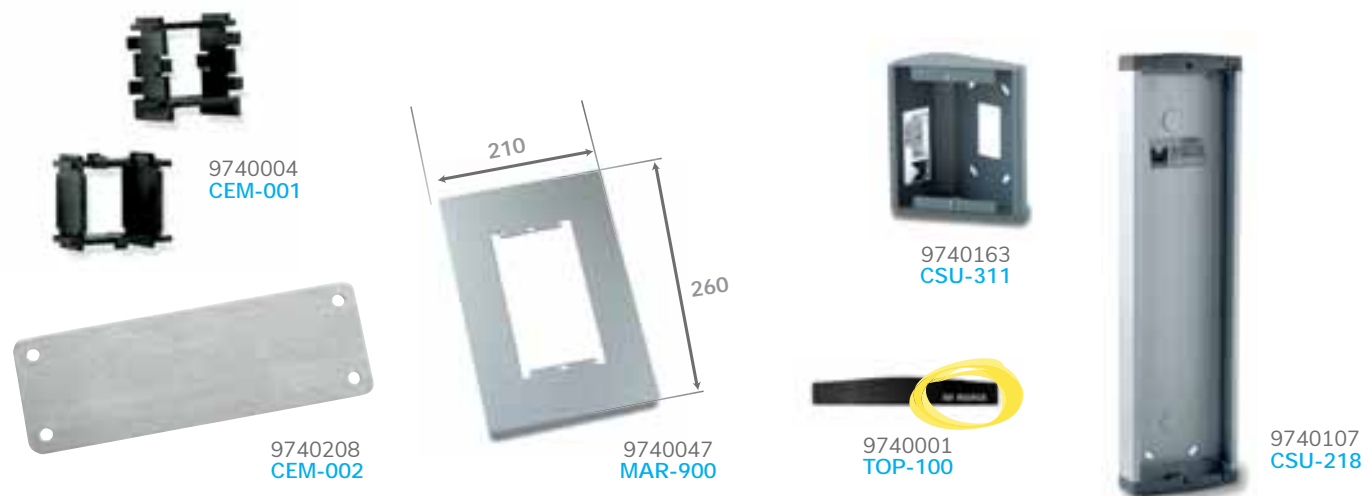


/ Flux-mounted boxes

CODE	MODEL	STOREYS
9740005	CMO-002	1 / 2 storeys
9740006	CMO-004	3 / 4 storeys
9740007	CMO-006	5 / 6 storeys
9740008	CMO-008	7 / 8 storeys
9740009	CMO-010	9 / 10 storeys
9740010	CMO-012	11 / 12 storeys
9740011	CMO-014	13 / 14 storeys
9740012	CMO-016	15 / 16 storeys
9740015	CMO-018	15 / 16 storeys and double upper module
9740004	CEM-001	Separators (2 units)
9740208	CEM-002	Vertical separator

/ Surface boxes

CODE	MODEL	STOREYS
9740100	CSU-211	1 / 2 storeys
9740101	CSU-212	3 / 4 storeys
9740102	CSU-213	5 / 6 storeys
9740103	CSU-214	7 / 8 storeys
9740104	CSU-215	9 / 10 storeys
9740105	CSU-216	11 / 12 storeys
9740106	CSU-217	13 / 14 storeys
9740107	CSU-218	15 / 16 storeys
9740108	CSU-219	17 / 18 storeys
9740172	CSU-000	Separator



/ Frames and trims

CODE	MODEL	DESCRIPTION
9740047	MAR-900	Single entrance panel frame *
9740016	MAR-901	Double entrance panel frame *
9740017	MAR-902	Triple entrance panel frame *
9740001	TOP-100	Personalized trim

* Made to measure in anodized aluminum. Order example (see photo): MAR-900 (010, 210, 260), single entrance panel decorative frame, for CMO-010 flux-mounted box, with 210mm outer width and height of 260mm. For order examples, see page 85

/ Angular surface boxes

CODE	MODEL	STOREYS
9740163	CSU-311	1 / 2 storeys
9740164	CSU-312	3 / 4 storeys
9740165	CSU-313	5 / 6 storeys
9740166	CSU-314	7 / 8 storeys
9740167	CSU-315	9 / 10 storeys
9740168	CSU-316	11 / 12 storeys
9740169	CSU-317	13 / 14 storeys
9740170	CSU-318	15 / 16 storeys
9740171	CSU-319	17 / 18 storeys

VIDEO DOOR ENTRY KITS

AUDIO DOOR ENTRY KITS

IPAL

2 WIRES

DIGITAL

4+N

IACCESS

EXAMPLES OF ORDERS

DIMENSIONS & ACCESSORIES

LISTS OF PRODUCTS

LEGAL NOTICE



/ Rain-shields

FOR FLUSH-MOUNTED BOXES

New codes
(coming soon)

SINGLE RAIN-SHIELDS

CODE	MODEL	STOREYS
9740109	VIS-111	1 / 2
9740110	VIS-112	3 / 4
9740111	VIS-113	5 / 6
9740112	VIS-114	7 / 8
9740113	VIS-115	9 / 10
9740114	VIS-116	11 / 12
9740115	VIS-117	13 / 14
9740116	VIS-118	15 / 16
9740117	VIS-119	17 / 18

SINGLE RAIN-SHIELDS

CODE	MODEL	STOREYS
9740251	VIS-312	1 / 2
9740252	VIS-313	3 / 4
9740253	VIS-314	5 / 6
9740254	VIS-315	7 / 8
9740255	VIS-316	9 / 10
9740256	VIS-317	11 / 12
9740257	VIS-318	13 / 14
9740258	VIS-319	15 / 16
9740259	VIS-310	17 / 18

FRONT PROTECTOR

CODE	MODEL	STOREYS
9740278	VIP-312	1 / 2
9740279	VIP-313	3 / 4
9740280	VIP-314	5 / 6
9740281	VIP-315	7 / 8
9740282	VIP-316	9 / 10
9740283	VIP-317	11 / 12
9740284	VIP-318	13 / 14
9740285	VIP-319	15 / 16
9740286	VIP-310	17 / 18

DOUBLE RAIN-SHIELDS

CODE	MODEL	STOREYS
9740118	VIS-121	1 / 2
9740119	VIS-122	3 / 4
9740120	VIS-123	5 / 6
9740121	VIS-124	7 / 8
9740122	VIS-125	9 / 10
9740123	VIS-126	11 / 12
9740124	VIS-127	13 / 14
9740125	VIS-128	15 / 16
9740126	VIS-129	17 / 18

DOUBLE RAIN-SHIELDS

CODE	MODEL	STOREYS
9740260	VIS-322	1 / 2
9740261	VIS-323	3 / 4
9740262	VIS-324	5 / 6
9740263	VIS-325	7 / 8
9740264	VIS-326	9 / 10
9740265	VIS-327	11 / 12
9740266	VIS-328	13 / 14
9740267	VIS-329	15 / 16
9740268	VIS-320	17 / 18

FRONT PROTECTOR

CODE	MODEL	STOREYS
9740287	VIP-322	1 / 2
9740288	VIP-323	3 / 4
9740289	VIP-324	5 / 6
9740290	VIP-325	7 / 8
9740291	VIP-326	9 / 10
9740292	VIP-327	11 / 12
9740293	VIP-328	13 / 14
9740294	VIP-329	15 / 16
9740295	VIP-320	17 / 18

TRIPLE RAIN-SHIELDS

CODE	MODEL	STOREYS
9740127	VIS-131	1 / 2
9740128	VIS-132	3 / 4
9740129	VIS-133	5 / 6
9740130	VIS-134	7 / 8
9740131	VIS-135	9 / 10
9740132	VIS-136	11 / 12
9740133	VIS-137	13 / 14
9740134	VIS-138	15 / 16
9740135	VIS-139	17 / 18

TRIPLE RAIN-SHIELDS

CODE	MODEL	STOREYS
9740269	VIS-332	1 / 2
9740270	VIS-333	3 / 4
9740271	VIS-334	5 / 6
9740272	VIS-335	7 / 8
9740273	VIS-336	9 / 10
9740274	VIS-337	11 / 12
9740275	VIS-338	13 / 14
9740276	VIS-339	15 / 16
9740277	VIS-330	17 / 18

FRONT PROTECTOR

CODE	MODEL	STOREYS
9740296	VIP-332	1 / 2
9740297	VIP-333	3 / 4
9740298	VIP-334	5 / 6
9740299	VIP-335	7 / 8
9740300	VIP-336	9 / 10
9740301	VIP-337	11 / 12
9740302	VIP-338	13 / 14
9740303	VIP-339	15 / 16
9740304	VIP-330	17 / 18

Until end of stock
 New

Coming soon

NEW RAIN SHIELDS FOR ENTRANCE PANELS

Compatibles with
**USOA, iBLACK,
Línea 201**



FOR SURFACE BOXES

SINGLE RAIN-SHIELDS

CODE	MODEL	STOREYS
9740136	VIS-211	1 / 2
9740137	VIS-212	3 / 4
9740138	VIS-213	5 / 6
9740139	VIS-214	7 / 8
9740140	VIS-215	9 / 10
9740141	VIS-216	11 / 12
9740142	VIS-217	13 / 14
9740143	VIS-218	15 / 16
9740144	VIS-219	17 / 18

DOUBLE RAIN-SHIELDS

CODE	MODEL	STOREYS
9740145	VIS-221	1 / 2
9740146	VIS-222	3 / 4
9740147	VIS-223	5 / 6
9740148	VIS-224	7 / 8
9740149	VIS-225	9 / 10
9740150	VIS-226	11 / 12
9740151	VIS-227	13 / 14
9740152	VIS-228	15 / 16
9740153	VIS-229	17 / 18

TRIPLE RAIN-SHIELDS

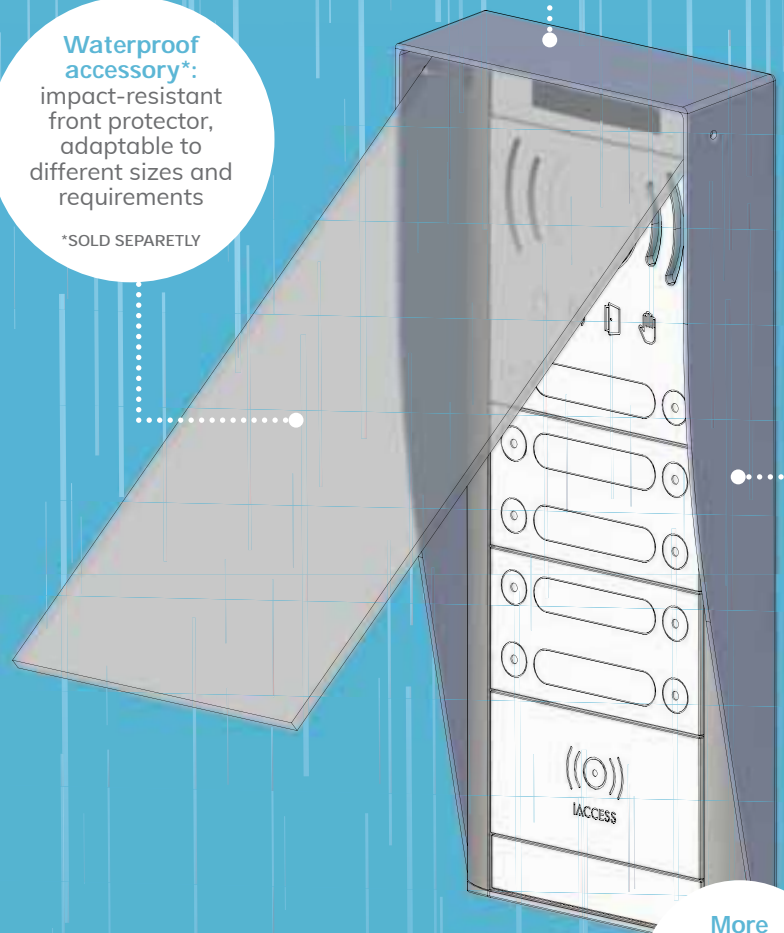
CODE	MODEL	STOREYS
9740154	VIS-231	1 / 2
9740155	VIS-232	3 / 4
9740156	VIS-233	5 / 6
9740157	VIS-234	7 / 8
9740158	VIS-235	9 / 10
9740159	VIS-236	11 / 12
9740160	VIS-237	13 / 14
9740161	VIS-238	15 / 16
9740162	VIS-239	17 / 18

 Until end of stock

Waterproof accessory*:
impact-resistant front protector, adaptable to different sizes and requirements

*SOLD SEPARATELY

Fast water drainage:
thanks to the sloping rain shield



More robust:
made of anodised aluminium

Slim design for optimal evacuation of water

We have redesigned our rain shields to adapt them to all kinds of needs in the most adverse conditions

Entrance panels

Vandal-proof made to measure

CODE	MODEL	DESCRIPTION
9800133	PLE-003	With push-buttons

These entrance panels by ALCAD are adapted to the needs of the installation, with a customized configuration both in the location of the push-buttons and in the size of the complete entrance panel – recording the name of the building on the same entrance panel is also permitted. All of them made of stainless steel. Check with your sales representative to get your quote.



Electric locks



/ Flush electric locks

WITH ADJUSTABLE LATCH

UNIVERSAL		
CODE	MODEL	DESCRIPTION
9730087	ABR-021	Simple 12-18V AC/DC

COMPACT SIZE		
CODE	MODEL	DESCRIPTION
9730025	ABR-011	Simple 15V DC
9730007	ABR-013	Automatic 15V DC
9730008	ABR-014	Automatic and manual release 15V DC
9730085	ABR-019	Fail safe 15V DC

STANDARD SIZE		
CODE	MODEL	DESCRIPTION
9730062	ABR-015	Simple 15V DC
9730064	ABR-017	Automatic 15V DC
9730065	ABR-018	Automatic and manual release 15V DC



/ Magnetic electric locks

OVERLAPPING ELECTROMAGNETIC DOOR LOCK

CODE	MODEL	DESCRIPTION
9730076	VEN-003	300Kg 12/24 V
9730077	VEN-005	500Kg 12/24 V

/ Accessories

CODE	MODEL	DESCRIPTION
9730004	CNP-001	Door contact
9730033	ESC-010	Large shield for electric locks
9620001	ALA-040	25 VA power supply unit, electronic door entry system
9620011	ALM-040	25 VA power supply unit, video door entry system
9730021	ASC-050	Relay for maneuvers with special openers and other functions
9730103	PPA-002	Illuminated vandal-proof timed push-button

Power supply units, splitters and regenerators

/ Power supply units

AND VOLTAGE REGENERATOR

CODE	MODEL	DESCRIPTION
9650004	ALS-020	Power supply unit interface
9650013	REG-050	BUS voltage regenerator

/ Tap-offs

1 OR 4 OUTPUTS FOR INDOOR UNITS AND THROUGH

CODE	MODEL	DESCRIPTION
9730102	DIV-464	4 outputs, compact
9730098	DIV-261	1 output, cascade
9730080	DIV-064	4 outputs
9730079	DIV-061	1 output
9770052	RVE-017	Line termination load

/ Splitters

BIDIRECTIONAL SPLITTERS. 2 OR 4 LINES

CODE	MODEL	DESCRIPTION
9730082	DIV-152	2 lines
9730071	DIV-154	4 lines

/ Regenerators

SIGNAL AMPLIFIERS

CODE	MODEL	DESCRIPTION
9650022	REG-054	Descendant audio and video
9650021	REG-053	Ascendant audio signal amplifier

/ Housing estate accessories

CODE	MODEL	DESCRIPTION
9650025	GCO-001	Control unit for building
9730084	DIV-041	Entrance panel tap-off

/ Cables

RECOMMENDED (OPTIMIZED SCREENED SLEEVED CABLE)

CODE	MODEL	DESCRIPTION
9750009	CAB-307	2x1 mm ² (by 100m coils)
9750010	CAB-357	2x1 mm ² (500m coils)

SMALL FACILITIES (SLEEVED CABLE)

CODE	MODEL	DESCRIPTION
9750005	CAB-007	2x1 mm ² (by 100m coils)
9750002	CAB-004	2x0,5 mm ² (by 100m coils)



9650004
ALS-020



9730098
DIV-261



9650022
REG-054



9730102
DIV-464



9770052
RVE-017



9730079
DIV-061



9750009
CAB-307



9730084
DIV-041



9750005
CAB-004

Standard quotes and diagrams USOA

STANDARD QUOTE. 1 ACCESS POINT

		MODEL																								
		MVC-141	FRA-003	FRA-004	FRA-005	FRA-006	MVG-000	MVG-011	MPP-011	MPP-012	MPP-021	MPP-022	MPG-014	MPG-024	MTP-000	MTG-000	ALS-020	DIV-061	DIV-464	RVE-017	CEM-001	CMO-004	CMO-006	CMO-008	CMO-010	ABR-011
No. OF FLATS	1x3	3	1				1	1		1						1	3	1	1		1					1
	2x3	6	1					1		1						1	3	1	1		1					1
	2x4	8	1		1							1				1	4	1	1		1					1
	2x5	10	1					1					1			1	5	1	1		1					1
	2x6 *	12		1	1						1	1			1	6				1				1		1
	3x4	12	2		1						1	1	1	1	1	4	1	1	4	1	2					1
	3x5	15	2					1	1			1	1	1	1	5	1	1	5	1	2					1
	3x6	18	2	1					1	1	1	1	1	1	1	6	1	1	6	1	2			2		1
	4x4	16	2	1							2	1	1	1	1	4	1	1	4	1	2					1
	4x5	20	2					1	1			2	1	1	1	5	1	1	5	1	2					1
4x8	32			2	1							4	1	1	8	1		8	1						2	1

* Installation for 2 flats per storey and 6 storeys.

STANDARD QUOTE. 2 ACCESS POINTS

		MODEL																								
		MVC-141	FRA-003	FRA-004	FRA-005	FRA-006	MVG-000	MVG-011	MPP-011	MPP-012	MPP-021	MPP-022	MPG-014	MPG-024	MTP-000	MTG-000	ALS-020	DIV-061	DIV-464	RVE-017	CEM-001	CMO-004	CMO-006	CMO-008	CMO-010	ABR-011
No. OF FLATS	1x3	3	2							2							1	3	1	1		2				2
	2x3	6	2							2						2	1	3	1	1		2				2
	2x4	8	2		2								2			2	1	4	1	1		2				2
	2x5	10	2						2				2			2	1	5	1	1		2				2
	2x6 *	12		2	2							2	2			2	6	1	1	1		2				2
	3x4	12	4		2							2	2	2	2	1	4	1	2	4	1	2		4		2
	3x5	15	4						2	2			2	2	2	1	5	1	2	4	1	2		4		2
	3x6	18	4	2						2	2	2	2	2	2	1	6	1	2	4	1	2		4		2
	4x4	16	4	2									4	2	1	4	1	2	4	1	2		4			2
	4x5	20	4						2	2			4	2	1	5	1	2	4	1	2		4			2
4x8	32			4	2							8	2	1	8	1	2	8	1	2					4	2

* Installation for 2 flats per storey and 6 storeys.

DIAGRAM. 1 ACCESS POINT

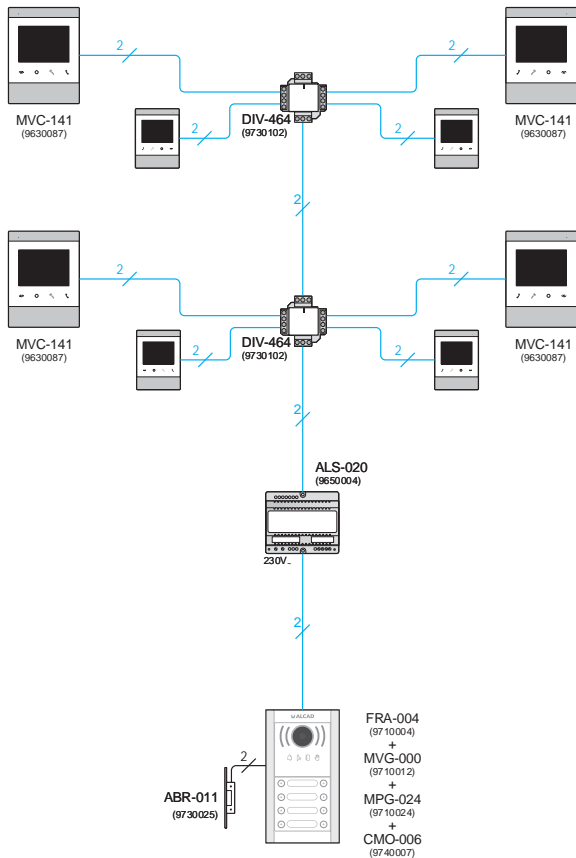
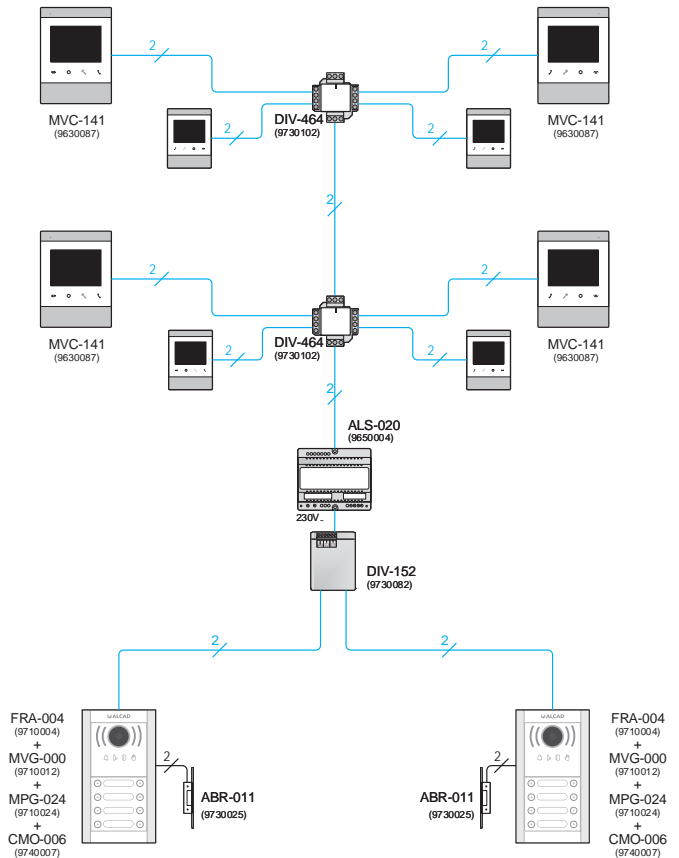


DIAGRAM. 2 ACCESS POINTS



Standard quotes and diagrams Aloï

STANDARD QUOTE. 1 ACCESS POINT

No OF FLATS	MODEL																				
	MVC-141	PTS-63203	PTD-63203	PTD-63204	PTD-63205	PTD-63206	PTS-63208	PTS-64204	PTS-64205	PTD-64204	PTD-64205	PTD-64208	ALS-020	DIV-061	DIV-464	RVE-017	CEM-003	CMO-604	CMO-606	CMO-608	ABR-011
1x3	3	1										1	3		1		1				1
2x3	6	1										1	3		1		1				1
2x4	8		1									1	4		1		1				1
2x5	10			1								1	5				1				1
2x6*	12				1							1	6				1				1
3x4	12	1				1						1	4	1	2						1
3x5	15		1				1					1	5	1	2	1					1
3x6	18			1				1				1	6	1	2	1					1
4x4	16	1			1				1			1	4	1	2						1
4x5	20		1					1				1	5	1	2	1					1
4x8	32					1						1	8	1							2

* Installation for 2 flats per storey and 6 storeys.

STANDARD QUOTE. 2 ACCESS POINTS

No OF FLATS	MODEL																					
	MVC-141	PTS-63203	PTD-63203	PTD-63204	PTD-63205	PTD-63206	PTS-63208	PTS-64204	PTS-64205	PTD-64204	PTD-64205	PTD-64208	ALS-020	DIV-061	DIV-464	RVE-017	DIV-152	CEM-003	CMO-604	CMO-606	CMO-608	ABR-011
1x3	3	2											1	3		1	1		2		2	
2x3	6	2											1	3		1	1		2		2	
2x4	8		2										1	4		1	2		2		2	
2x5	10			2									1	5		1	2		2		2	
2x6*	12				2								1	6		1	2		2		2	
3x4	12	2				2							1	4	1	2	4				2	
3x5	15		2				2						1	5	1	2	4		4		2	
3x6	18			2				2					1	6	1	2	4		4		2	
4x4	16	2							2				1	4	1	2	4				2	
4x5	20		2							2			1	5	1	2	4		4		2	
4x8	32					2					2	1	8	1	2						4	2

* Installation for 2 flats per storey and 6 storeys.

DIAGRAM. 1 ACCESS POINT

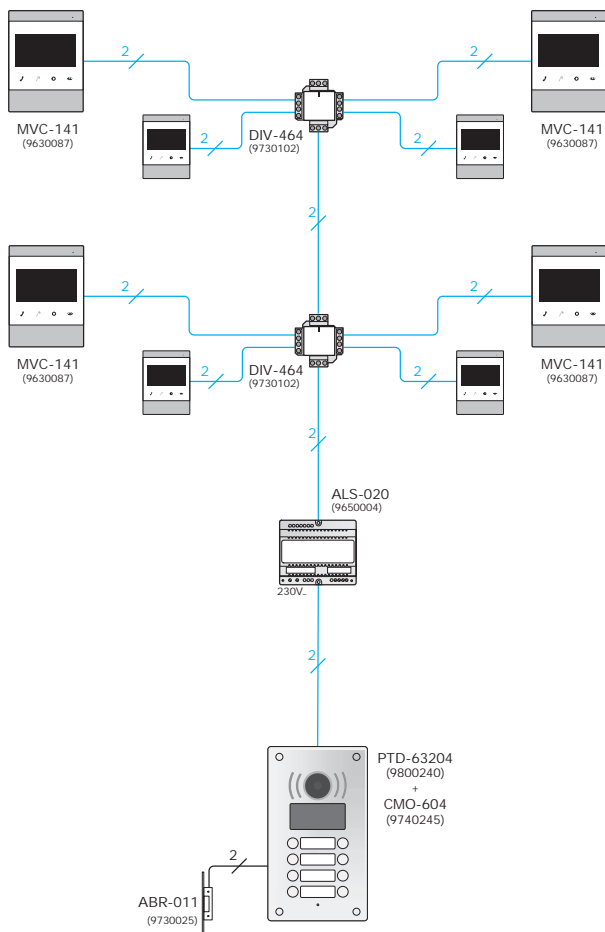
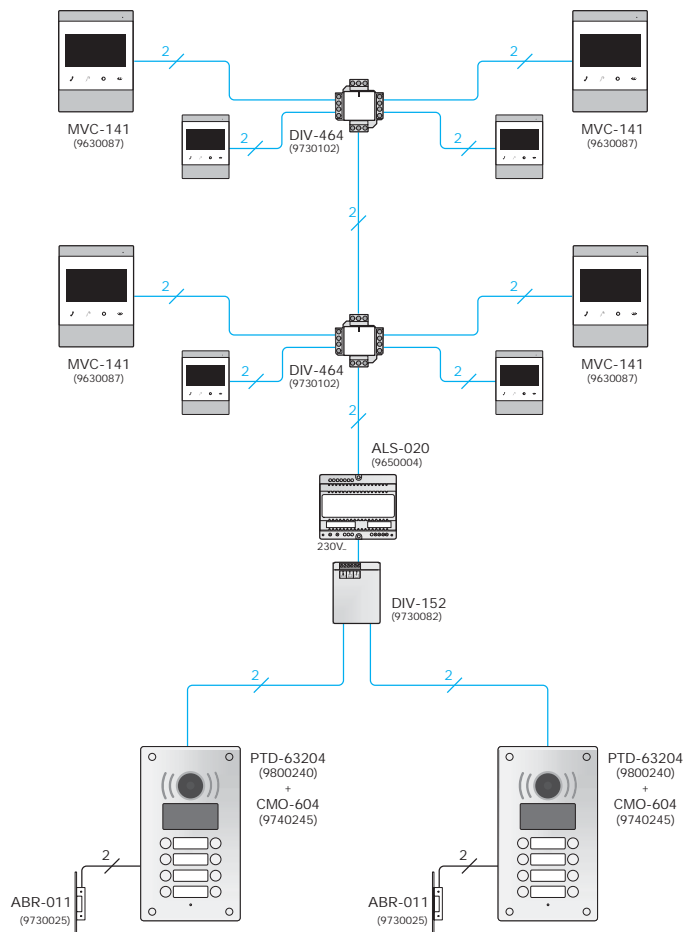


DIAGRAM. 2 ACCESS POINTS



Standard quotes and diagrams iBLACK

STANDARD QUOTE. 1 ACCESS POINT

		MODEL																							
		MVC-141	MVN-509	MAN-502	PPS-52203	PPS-52104	PPS-52105	PPS-52106	PPD-52104	PPD-52105	PPD-52106	PPD-52108	PPD-52203	PPD-52204	PPD-52205	PPD-52206	ALS-020	DIV-061	DIV-464	RVE-017	CEM-001	CMO-004	CMO-006	CMO-008	ABR-011
No. OF FLATS	1x3	3	1	1	1											1	3		1			1			1
	2x3	6	1	1								1				1		3				1			1
	2x4	8	1	1									1			1		4				1			1
	2x5	10	1	1										1			1	5							1
	2x6 *	12	1	1													1	1		6					1
	3x4	12	1	1		1		1									1		4		1	2			1
	3x5	15	1	1		1		1									1		5		1	2			1
	3x6	18	1	1		1		1									1		6		1	2			1
	4x4	16	1	1			2										1		4		1	2			1
	4x5	20	1	1				2									1		5		1	2			1
4x8	32	1	1						2							1		8		1				2	1

* Installation for 2 flats per storey and 6 storeys.

STANDARD QUOTE. 2 ACCESS POINTS

		MODEL																								
		MVC-141	MVN-509	MAN-502	PPS-52203	PPS-52104	PPS-52105	PPS-52106	PPD-52104	PPD-52105	PPD-52106	PPD-52108	PPD-52203	PPD-52204	PPD-52205	PPD-52206	ALS-020	DIV-061	DIV-464	RVE-017	DIV-152	CEM-001	CMO-004	CMO-006	CMO-008	ABR-011
No. OF FLATS	1x3	3	2	2	2												1	3		1	1			2	2	
	2x3	6	2	2									2				1		3		1		2		2	
	2x4	8	2	2										2			1		4		1		2		2	
	2x5	10	2	2											2			1	5		1				1	
	2x6 *	12	2	2														2	1		6		1		1	
	3x4	12	2	2		2		2										1		4		1	2	4		2
	3x5	15	2	2		2		2										1		5		1	2	4		2
	3x6	18	2	2		2		2										1		6		1	2	4		2
	4x4	16	2	2			4											1		4		1	2	4		2
	4x5	20	2	2				4										1		5		1	2	4		2
4x8	32	2	2						4								1		12		1	2	4		2	

* Installation for 2 flats per storey and 6 storeys.

DIAGRAM. 1 ACCESS POINT

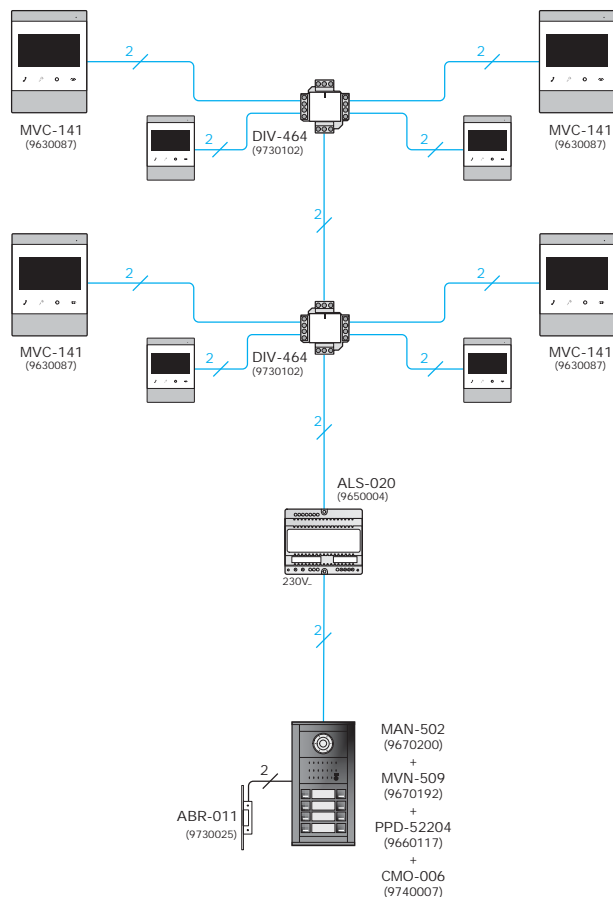
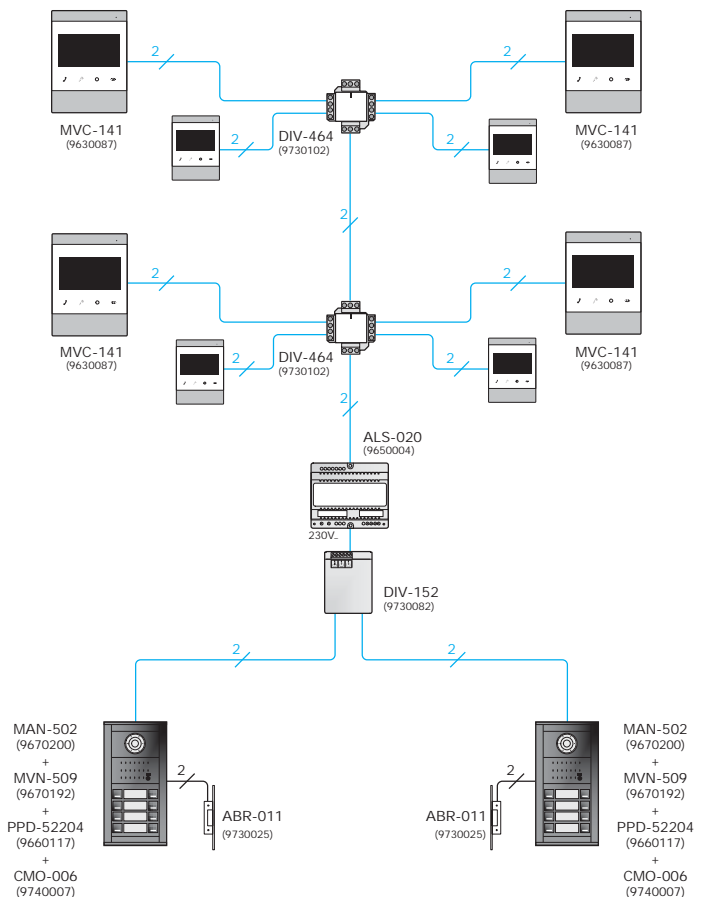


DIAGRAM. 2 ACCESS POINTS



Standard quotes and diagrams L201

DIAGRAM.
1 ACCESS POINT

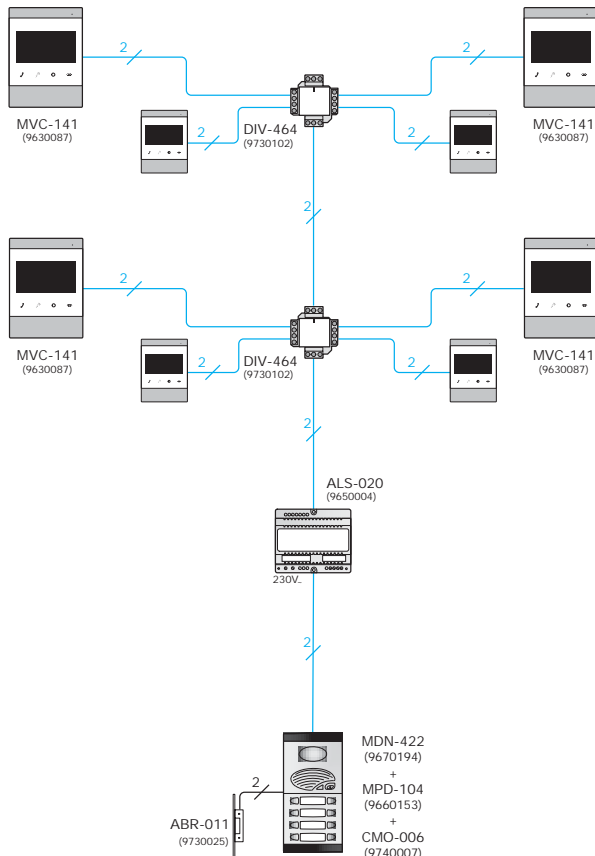
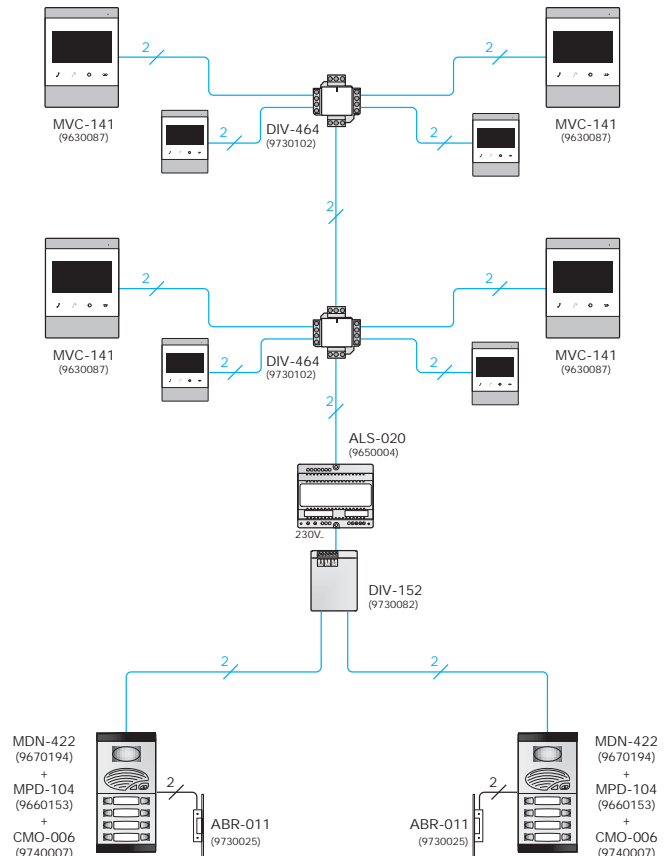


DIAGRAM.
2 ACCESS POINTS



STANDARD QUOTE.
1 ACCESS POINT

No OF FLATS	MODEL																						
	MVC-141	MDN-422	MAN-420	MVN-409	MPS-103	MPS-104	MPS-105	MPS-106	MPD-103	MPD-104	MPD-105	MPD-106	MPD-108	ALS-020	DIV-061	DIV-464	RVE-017	CEM-001	CMO-004	CMO-006	CMO-008	ABR-011	
1x3	3	1		1										1	3	1			1			1	
2x3	6	1							1					1	3				1			1	
2x4	8	1								1				1	4				1			1	
2x5	10	1								1				1	5				1			1	1
2x6*	12	1									1			1	6				1			1	1
3x4	12	1	1		1				1					1	4		1	2				1	
3x5	15	1	1		1				1					1	5		1	2				1	
3x6	18	1	1		1				1		1			1	6		1	2	1			1	
4x4	16	1	1						2					1	4		1	2				1	
4x5	20	1	1							2				1	5		1	2				1	
4x8	32	1	1										2	1	12		1					2	1

* Installation for 2 flats per storey and 6 storeys.

STANDARD QUOTE.
2 ACCESS POINTS

No OF FLATS	MODEL																						
	MVC-141	MDN-422	MAN-420	MVN-409	MPS-103	MPS-104	MPS-105	MPS-106	MPD-103	MPD-104	MPD-105	MPD-106	MPD-108	ALS-020	DIV-061	DIV-464	RVE-017	CEM-001	CMO-004	CMO-006	CMO-008	ABR-011	
1x3	3	2		2										1	3		1	1			2	2	
2x3	6	2							2					1	3		1	1			2	2	
2x4	8	2												1	4		1	1			2	2	
2x5	10	2									2			1	5		1				2	2	
2x6*	12	2										2		1	6		1				2	2	
3x4	12	2	2		2				2					1	4		1	2	4			2	
3x5	15	2	2		2				2					1	5		1	2	4			2	
3x6	18	2	2		2				2		2			1	6		1	2	4			2	
4x4	16	2	2		4				4					1	4		1	2	4			2	
4x5	20	2	2							4				1	5		1	2	4			2	
4x8	32	2	2										4	1	12		1	2				4	2

* Installation for 2 flats per storey and 6 storeys.

VIDEO DOOR ENTRY KITS

AUDIO DOOR ENTRY KITS

IPAL

2 WIRES

DIGITAL

4+N

IACCESS

EXAMPLES OF ORDERS

DIMENSIONS & ACCESSORIES

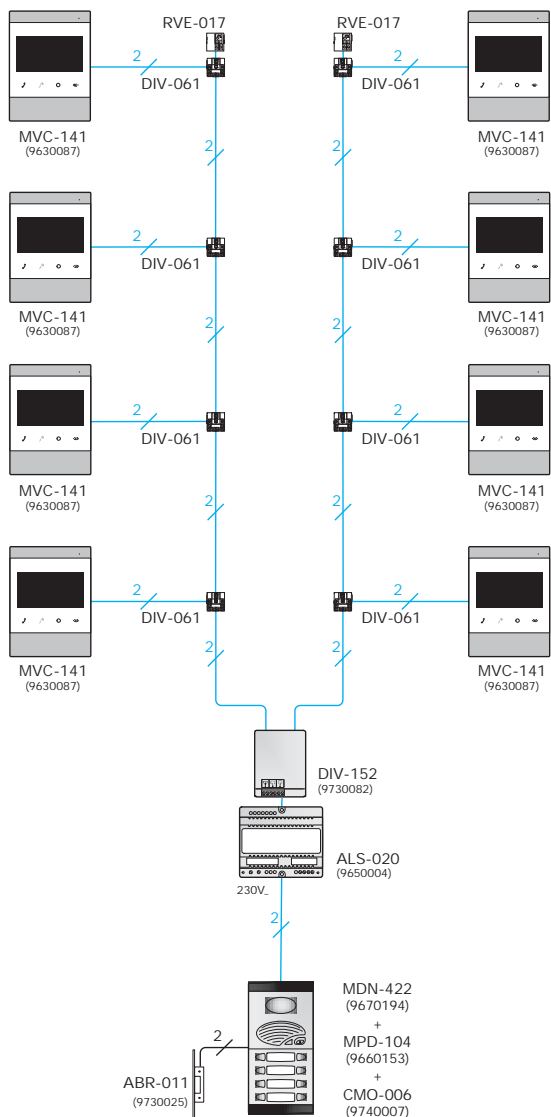
LISTS OF PRODUCTS

LEGAL NOTICE

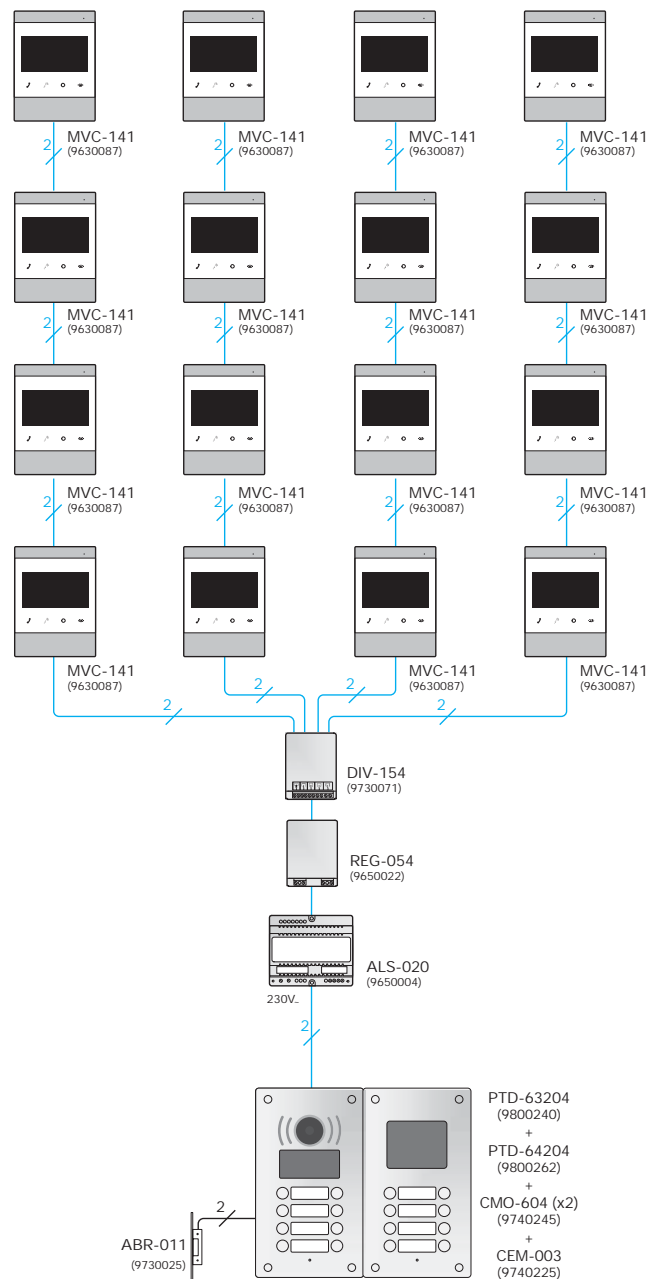
Diagrams

2 WIRES

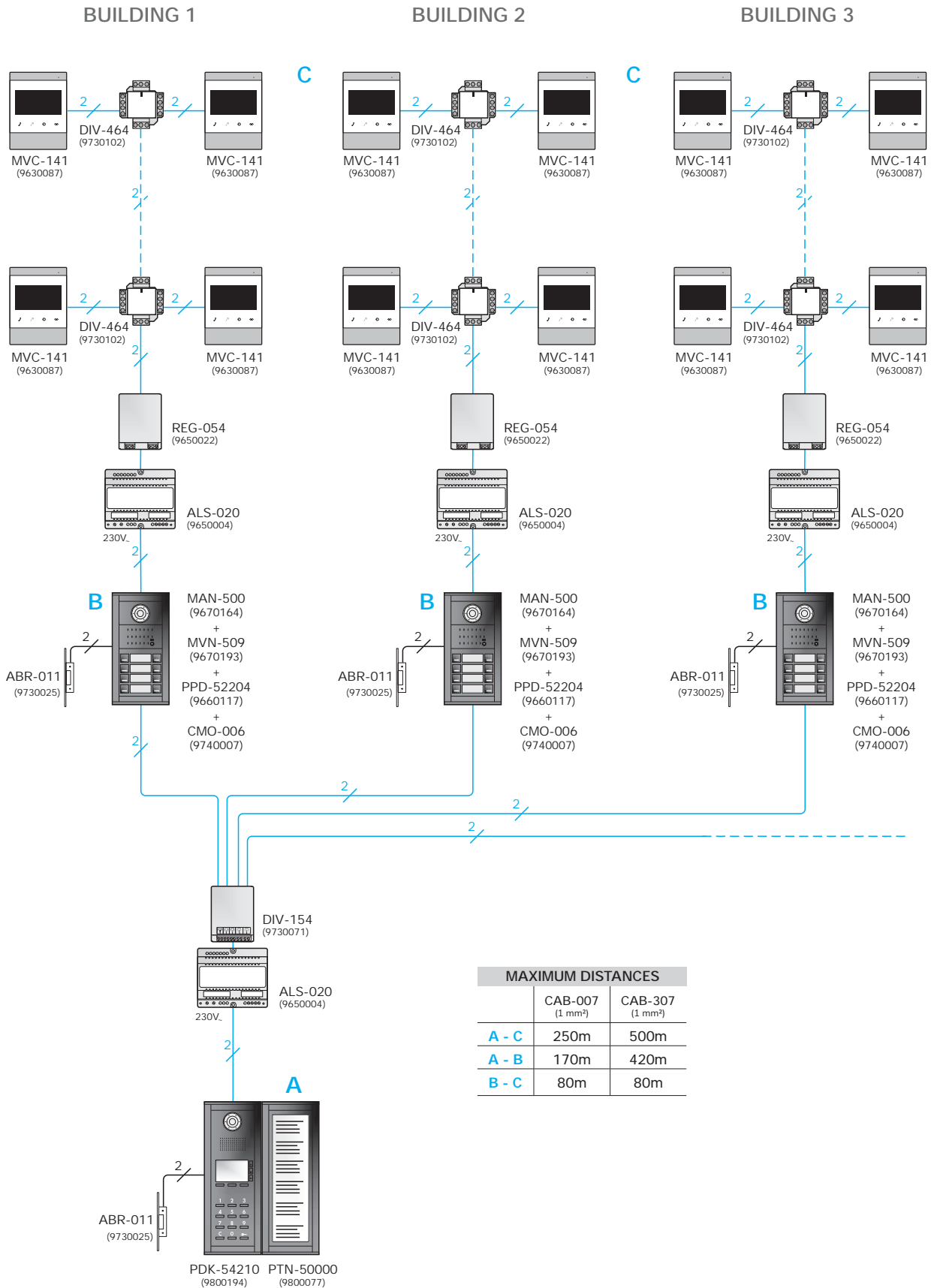
STANDARD DIAGRAM.
BUILDING WITH 2 BACKBONES AND
MONITORS USING DISTRIBUTION
TAP-OFF DEVICES



STANDARD DIAGRAM.
BUILDING WITH 2 BACKBONES
AND MONITORS IN CASCADE MODE
CONFIGURATION



STANDARD DIAGRAM.
HOUSING ESTATE
WITH EXTERNAL ACCESS



VIDEO DOOR ENTRY KITS

AUDIO DOOR ENTRY KITS

IPAL

2 WIRES

DIGITAL

4+N

iACCESS

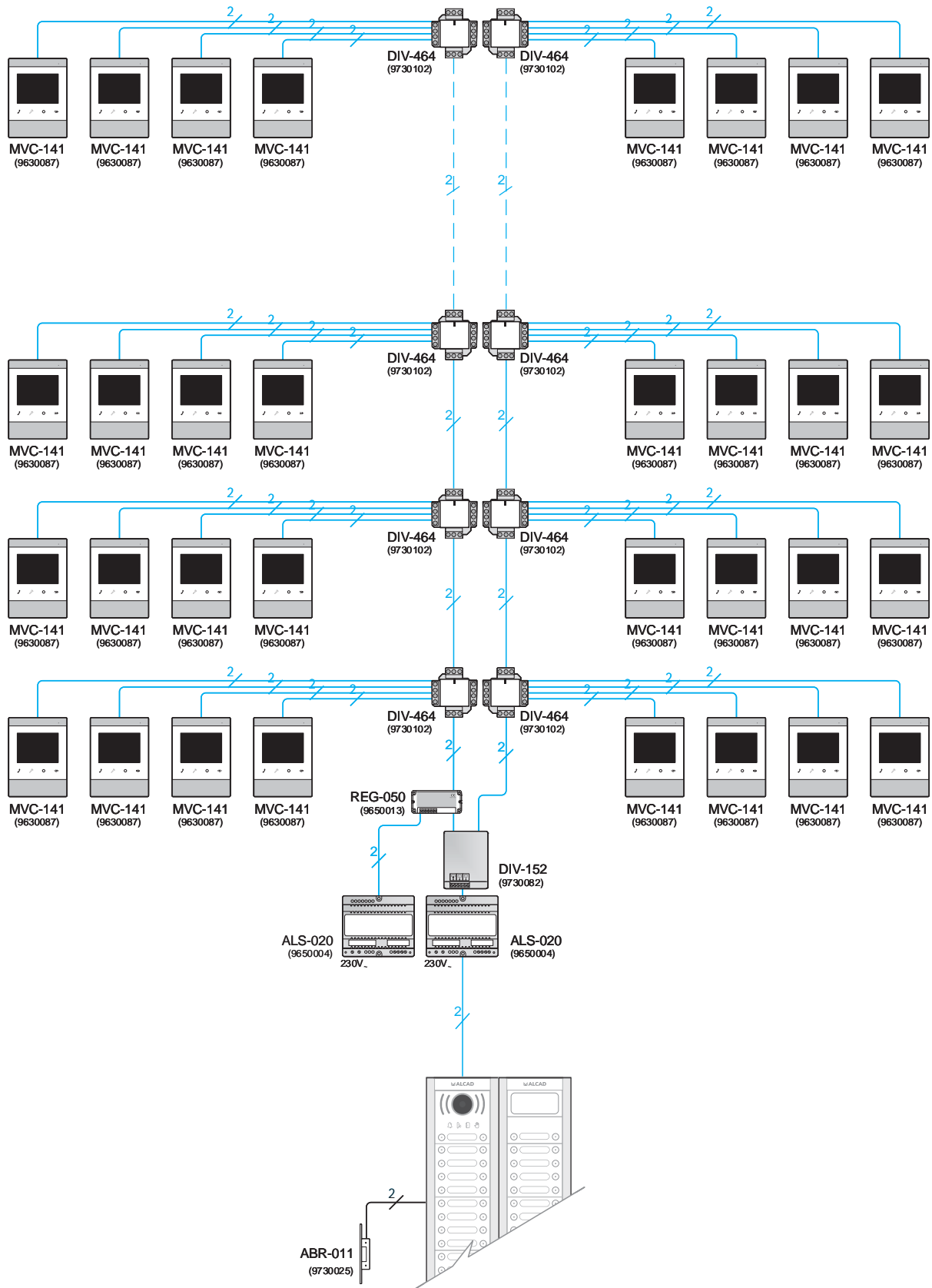
EXAMPLES OF ORDERS

DIMENSIONS & ACCESSORIES

LISTS OF PRODUCTS

LEGAL NOTICE

STANDARD DIAGRAM.
BUILDING OF BETWEEN
34 AND 64 FLATS



Colours as
you had never
seen before

Active
VIEW



The new
anti-vandal
entrance
panels combine
the concepts
of robustness
and design
to meet the
expectations of
those looking
for a modern
and attractive
solution

NEW
ALOI
RANGE

INCREDIBLY ROBUST

 **ALCAD**
home

DIGITAL

Indoor units



9600007
TED-001



9600010
TED-002



9630008
MVC-002



9630004
SCM-030

/ DIGITAL handsets

WITH ELECTRONIC CALL AND PRIVACY OF COMMUNICATION

CODE	MODEL	DESCRIPTION
9600007	TED-001	1 push-button
9600010	TED-002	2 push-buttons

/ DIGITAL monitor

WITH COLOUR SCREEN, ELECTRONIC CALL AND PRIVACY OF COMMUNICATION

CODE	MODEL	DESCRIPTION
9630008	MVC-002	4 push-buttons
9630004	SCM-030	Desktop support

/ Decorative frames

FOR MONITOR

CODE	MODEL	DESCRIPTION
9730035	MAE-001	Dimensions: 250x275mm
9730036	MAE-002	Dimensions: 300x325mm
9730034	MAE-900	Made to measure *

* Made to measure in anodized aluminum.
Order example: MAE-900 (210x260), decorative frame for monitor, with 210mm outside width and 260mm height

FOR HANDSET

CODE	MODEL	DESCRIPTION
9730092	MAE-101	Dimensions: 125x275mm
9730093	MAE-102	Dimensions: 250x275mm
9730091	MAE-902	Made to measure *

* Made to measure in anodized aluminum.
Order example: MAE-902 (210x260), decorative frame for monitor, with 210mm outside width and 260mm height

/ Desktop supports

CODE	MODEL	DESCRIPTION
9730049	SSM-001	For monitor with handset
9730029	SST-001	For handset



9730049
SSM-001

9730019
AAL-200

9730060
APX-001

/ Electronics accessories

CODE	MODEL	DESCRIPTION
9730019	AAL-200	Electronic call extension
9730021	ASC-050	Selector switch accessory activated by means of electronic call, buzzer call or external signal
9730057	ASC-051	Selector switch accessory with timer activated by means of external control signal
9730018	AAL-120	Accessory to connect an AAL-200, ASC-050 or ASC-051 to a DIGITAL handset
9730060	APX-001	Kit which lets you add two extra push-buttons to the handset
9730061	AAL-130	Accessory for receiving calls from the landing on the handset

Guard unit



/ Guard unit terminals

CODE	MODEL	DESCRIPTION
9800012	PAK-03020	Guard unit panel with digital audio unit, numeric display and numeric keypad
9680008	TCD-001	Handset for DIGITAL guard unit system with electronic call and privacy of conversation
9680015	MCC-002	Indoor unit for guard unit system, colour
9680016	SCC-030	Indoor unit connection bracket for digital guard unit system with connections for coaxial cable



/ Supports for guard units

CODE	MODEL	DESCRIPTION
9730054	SSC-001	Desktop support for guard unit with handset
9730056	SSC-002	Desktop support for guard unit with indoor unit
9740008	CMO-008	Flush-mounted box
9740103	CSU-214	Surface box

/ Selector switch accessories

FOR PUSH-BUTTONS OF THE GUARD UNIT HANDSET / MONITOR

CODE	MODEL	DESCRIPTION
9730021	ASC-050	Relay 1 circuit
9730023	ASC-001	Relay 2 circuits

Entrance panels 201 Line



9800033
PAK-41000



9800036
PDK-41500



9800002
PTN-00000



9800071
PAK-61000



9800073
PTN-60000



9670144
MAN-470



9670153
MDN-472



9670154
MDT-472



9660001
MPS-004



9660050
MPD-003



9660054
MPD-007



9660062
MPD-015

/ Entrance panels with keypad

HOUSE CALL WITH KEYPAD AND NUMERIC DISPLAY

FOR INSTALLATIONS WITH GUARD UNIT SYSTEM

CODE	MODEL	DESCRIPTION
9800037	PAK-42000	Audio only, for building
9800038	PAK-44000	Audio only, for external entrance in a housing estate
9800041	PDK-42500	Audio and video, for building
9800042	PDK-44500	Audio and video, for external entrance in a housing estate
9800002	PTN-00000	With directory

FOR INSTALLATIONS WITHOUT GUARD UNIT SYSTEM

CODE	MODEL	DESCRIPTION
9800033	PAK-41000	Audio only
9800036	PDK-41500	Audio and video
9800002	PTN-00000	With directory
9800071	PAK-61000	Audio only, vandal-proof (includes flux-mounted box)
9800073	PTN-60000	Audio and video, vandal-proof (includes flux-mounted box)

/ Entrances panels with push-buttons

UPPER MODULES WITH AUDIO UNIT, CAMERA, CARDHOLDER OR iACCESS

SINGLE MODULE

CODE	MODEL	DESCRIPTION
9670144	MAN-470	Audio unit
9670045	MVN-302	Camera
9690034	LPR-200	iACCESS cardholder
9670018	MTN-000	Cardholder
9670021	MLN-000	Blank

DOUBLE MODULE

CODE	MODEL	DESCRIPTION
9670153	MDN-472	Audio unit and camera
9670146	MCN-470	Audio unit and blank
9670145	MMN-470	Audio unit and cardholder
9670086	MLT-000	Cardholder and blank

TRIPLE MODULE

CODE	MODEL	DESCRIPTION
9670154	MDT-472	Audio unit, camera and cardholder

ELECTRONIC MODULES

CODE	MODEL	DESCRIPTION
9730030	COL-000	Concentrator for 16 calls
9730068	AIB-010	Housing estate identifying accessory

/ iACCESS RFID READER

CODE	MODEL	DESCRIPTION
9690034	LPR-200	iACCESS cardholder
9770083	RVE-032	Antena iACCESS para tarjetero
9690038	CCA-004	Central post. 1 door advanced management

For further information regarding the iACCESS system, see pages 74-77

/ Compact entrance panels

WITH CAMERA OR KEYPAD FOR ACCESS CONTROL

CODE	MODEL	DESCRIPTION
9670107	MVN-905	Camera
9800006	PNK-00000	Keypad for access control

LOWER MODULES WITH PUSH-BUTTONS

SINGLE PUSH-BUTTONS

CODE	MODEL	PUSH-BUTTONS
9660014	MPS-001	1
9660015	MPS-002	2
9660000	MPS-003	3
9660001	MPS-004	4
9660002	MPS-005	5
9660003	MPS-006	6
9660004	MPS-007	7
9660005	MPS-008	8
9660006	MPS-009	9
9660007	MPS-010	10
9660008	MPS-011	11
9660009	MPS-012	12
9660010	MPS-013	13
9660011	MPS-014	14
9660012	MPS-015	15
9660013	MPS-016	16

DOUBLE PUSH-BUTTONS

CODE	MODEL	PUSH-BUTTONS
9660048	MPD-001	2 (1 double)
9660049	MPD-002	4 (2 double)
9660050	MPD-003	6 (3 double)
9660051	MPD-004	8 (4 double)
9660052	MPD-005	10 (5 double)
9660053	MPD-006	12 (6 double)
9660054	MPD-007	14 (7 double)
9660055	MPD-008	16 (8 double)
9660056	MPD-009	18 (9 double)
9660057	MPD-010	20 (10 double)
9660058	MPD-011	22 (11 double)
9660059	MPD-012	24 (12 double)
9660060	MPD-013	26 (13 double)
9660061	MPD-014	28 (14 double)
9660062	MPD-015	30 (15 double)
9660063	MPD-016	32 (16 double)

CONFIGURABLE PUSH-BUTTONS

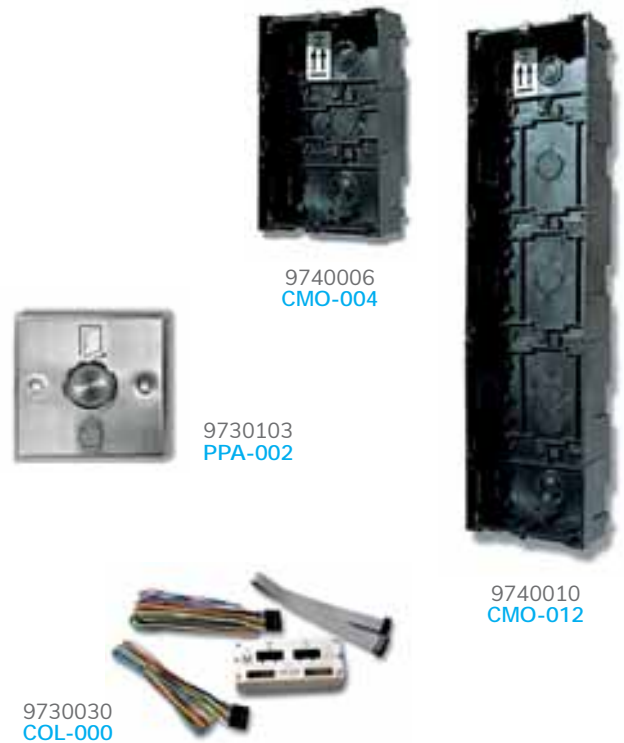
CODE	MODEL	STOREYS
9660064	MPD-900	1 to 8 *
9660065	MPD-901	9 to 16 *
9660016	MKD-900	1 to 12 storeys with keypad for access control **

* For order examples, see page 78
** For order examples, see page 79
*** For order examples, see page 82

/ Flux-mounted boxes

CODE	MODEL	STOREYS
9740005	CMO-002	1 / 2 storeys
9740006	CMO-004	3 / 4 storeys
9740007	CMO-006	5 / 6 storeys
9740008	CMO-008	7 / 8 storeys
9740009	CMO-010	9 / 10 storeys
9740010	CMO-012	11 / 12 storeys
9740011	CMO-014	13 / 14 storeys
9740012	CMO-016	15 / 16 storeys
9740015	CMO-018	15 / 16 storeys and double upper module
9740004	CEM-001	Separators (2 units)

NOTE: surface boxes, rain-shields, frames and trims, see section 'Entrance panels-201 Line' on pages 47 and 48



/ Electronic accessories

CODE	MODEL	DESCRIPTION
9730006	APC-001	Common door: activates the same door opener from several entrance panels
9730021	ASC-050	Relay for maneuvers with special openers and other functions
9730057	ASC-051	Selector switch accessory with timer activated by means of external control signal
9730023	ASC-001	Selector switch accessory activated by means of external control signal
9730103	PPA-002	Illuminated vandal-proof timed push-button
9730030	COL-000	Concentrator for 16 calls
9730068	AIB-010	Housing estate identifying accessory

Entrance panels

Vandal-proof made to measure

CODE	MODEL	DESCRIPTION
9800132	PLE-002	With push-buttons

These entrance panels by ALCAD are adapted to the needs of the installation, with a customized configuration both in the location of the push-buttons and in the size of the complete entrance panel – recording the name of the building on the same entrance panel is also permitted. All of them made of stainless steel. Check with your sales representative to get your quote.



Electric locks

/ Flush electric locks WITH ADJUSTABLE LATCH

UNIVERSAL		
CODE	MODEL	DESCRIPTION
9730087	ABR-021	Simple 12-18V AC/DC

COMPACT SIZE		
CODE	MODEL	DESCRIPTION
9730025	ABR-011	Simple 15V DC
9730007	ABR-013	Automatic 15V DC
9730008	ABR-014	Automatic and manual release 15V DC
9730085	ABR-019	Fail safe 15V DC

STANDARD SIZE		
CODE	MODEL	DESCRIPTION
9730062	ABR-015	Simple 15V DC
9730064	ABR-017	Automatic 15V DC
9730065	ABR-018	Automatic and manual release 15V DC

Power supply units and splitters

/ Power supply units TAP-OFFS AND SPLITTERS

CODE	MODEL	DESCRIPTION
9620014	ALC-070	15VDC 3A power supply
9620011	ALM-040	25 VA, 12VAC & 15VDC power supply
9620001	ALA-040	25 VA, 12VAC power supply
9730055	AIB-001	Accessory for installations with keypad in buildings with more than 150 houses
9650001	GCI-001	Control unit for AIB-001 in video intercom installations or with guard unit
9730031	DIV-024	Amplified video tap-off for coaxial cable with screw terminal. 4 outputs
9730032	DIV-124	Amplified video splitter for coaxial cable with screw terminal. 4 outputs

/ Magnetic electric locks OVERLAPPING ELECTROMAGNETIC DOOR LOCK

CODE	MODEL	DESCRIPTION
9730076	VEN-003	300Kg 12/24 V
9730077	VEN-005	500Kg 12/24 V

/ Accessories

CODE	MODEL	DESCRIPTION
9730004	CNP-001	Door contact
9730033	ESC-010	Large shield for electric locks
9620001	ALA-040	25 VA power supply unit, electronic door entry system
9620011	ALM-040	25 VA power supply unit, video door entry system
9730021	ASC-050	Relay for maneuvers with special openers and other functions
9730103	PPA-002	Illuminated vandal-proof timed push-button

/ Cables RECOMMENDED CABLE (SLEEVED)

CODE	MODEL	DESCRIPTION
9750005	CAB-007	2x1 mm ² (by 100m coils)
9100021	CE-753	7 mm coaxial, 17dB/100m 800 MHz (by 100m coils)



9620011
ALM-040



9730055
AIB-001

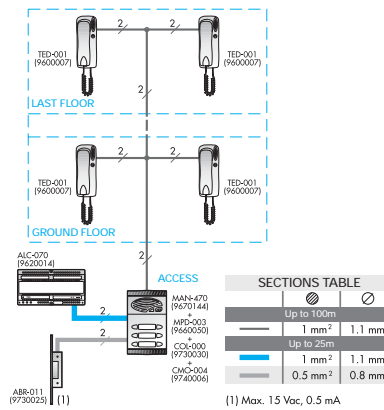
Standard quotes and diagrams

STANDARD QUOTE. 1 ACCESS POINT

No OF FLATS	MODEL															
	TED-001	MAN-470	MLN-000	MPS-003	MPS-004	MPS-005	MPS-006	MPD-003	MPD-004	MPD-005	MPD-006	COL-000	CEM-001	CMO-004	CMO-006	ABR-011
1x3	3	1		1								1	1		1	1
2x3	6	1					1					1	1		1	1
2x4	8	1						1				1	1		1	1
2x5	10	1							1			1	1		1	1
2x6*	12	1								1		1	1		1	1
3x4	12	1	1					1				1	1	1	2	1
3x5	15	1	1	1					1			1	1	1	2	1
3x6	18	1	1		1					1		1	2	1	2	2
4x4	16	1	1			1	2					1	1	1	1	1
4x5	20	1	1					2				1	2	1	2	1
4x6	24	1	1						2			1	2	1	2	1
6x5	30	1	2						3			1	2	2	3	1
6x6	36	1	2							3		1	3	2	3	1

* Installation for 2 flats per storey and 6 storeys.

STANDARD DIAGRAM AND SECTIONS



SECTIONS TABLE	
Up to 100m	1 mm ² 1.1 mm
Up to 25m	1 mm ² 1.1 mm
	0.5 mm ² 0.8 mm

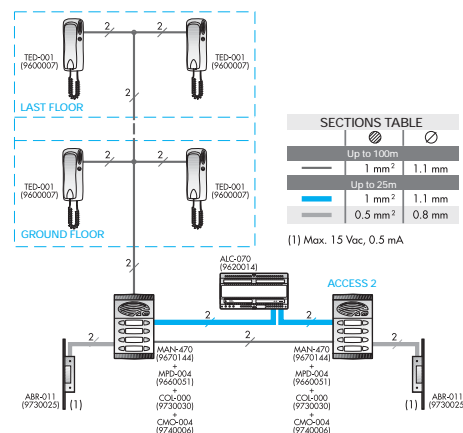
(1) Max. 15 Vac, 0.5 mA

STANDARD QUOTE. 2 ACCESS POINTS

No OF FLATS	MODEL															
	TED-001	MAN-470	MLN-000	MPS-003	MPS-004	MPS-005	MPS-006	MPD-003	MPD-004	MPD-005	MPD-006	COL-000	CEM-001	CMO-004	CMO-006	ABR-001
1x3	3	2		2								1	2	2	2	2
2x3	6	2					2					1	2	2	2	2
2x4	8	2						2				1	2	2	2	2
2x5	10	2							2			1	2	2	2	2
2x6*	12	2								2		1	2	2	2	2
3x4	12	2	2					2				1	2	1	4	2
3x5	15	2	2	2					2			1	2	1	4	2
3x6	18	2	2		2					2		1	4	1	4	2
4x4	16	2	2			2	2					1	2	1	4	2
4x5	20	2	2					4				1	4	1	4	2
4x6	24	2	2						4			1	4	1	4	2
6x5	30	2	4						6			1	4	2	6	2
6x6	36	2	4							6		1	6	2	6	2

* Installation for 2 flats per storey and 6 storeys.

STANDARD DIAGRAM AND SECTIONS



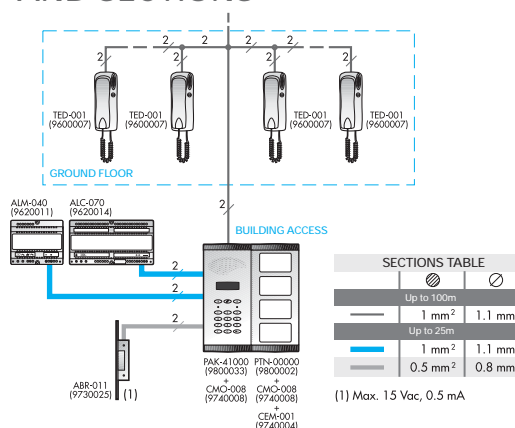
SECTIONS TABLE	
Up to 100m	1 mm ² 1.1 mm
Up to 25m	1 mm ² 1.1 mm
	0.5 mm ² 0.8 mm

(1) Max. 15 Vac, 0.5 mA

STANDARD QUOTE. 1 ACCESS POINT WITH KEYPAD

No OF FLATS	MODEL							
	TED-001	PAK-41000	PTN-00000	ALM-040	ALC-070	CEM-001	CMO-008	ABR-011
4x10	40	1	1	1	1	1	2	1
6x10	60	1	1	1	1	1	2	1
6x15	90	1	1	1	1	1	2	1
8x15	120	1	2	1	1	2	3	1
10x15	150	1	2	1	1	2	3	1

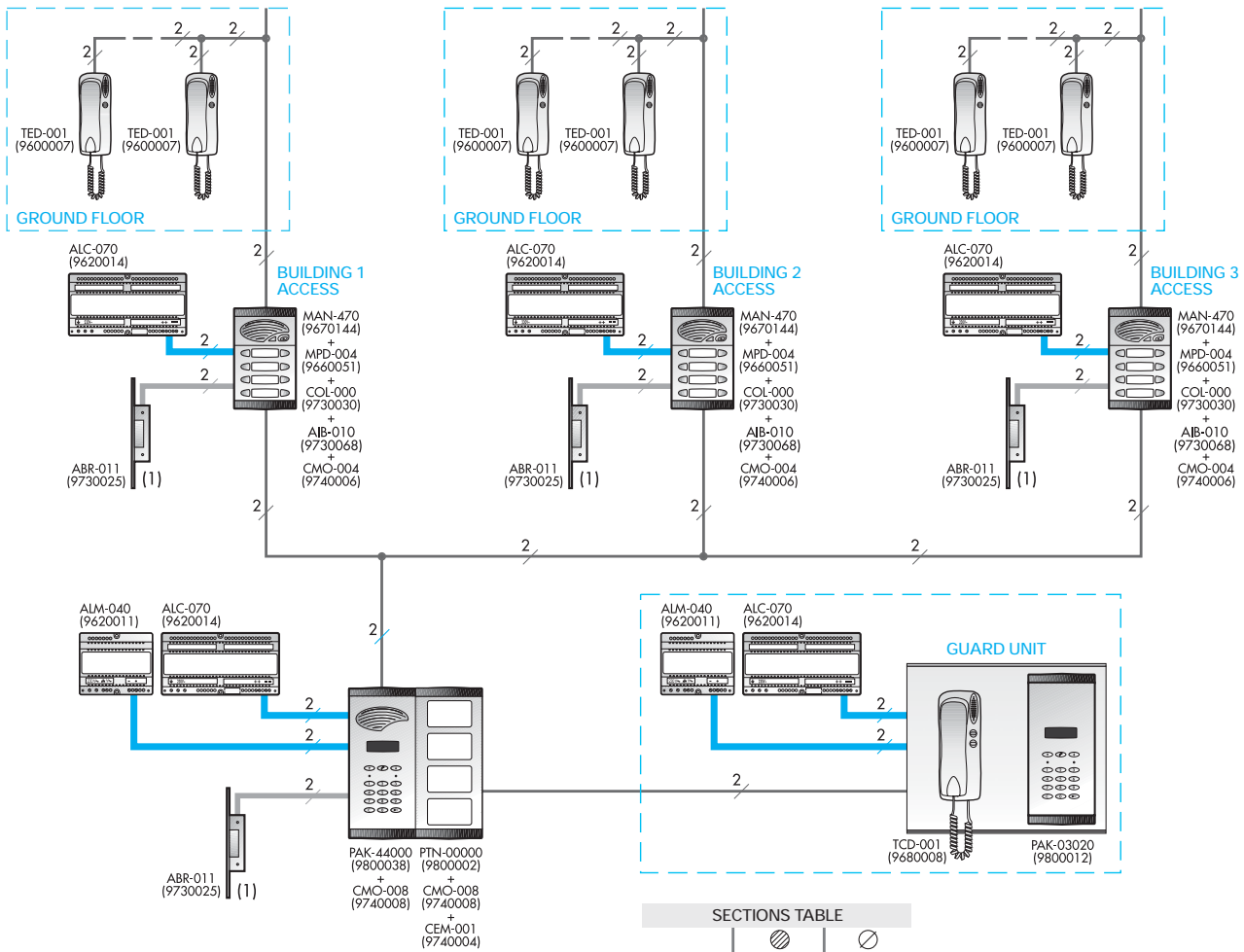
STANDARD DIAGRAM AND SECTIONS



SECTIONS TABLE	
Up to 100m	1 mm ² 1.1 mm
Up to 25m	1 mm ² 1.1 mm
	0.5 mm ² 0.8 mm

(1) Max. 15 Vac, 0.5 mA

Diagram Housing estate with guard unit



SECTIONS TABLE		
	⊗	⊙
Up to 100m	1 mm ²	1.1 mm
Up to 25m	1 mm ²	1.1 mm
	0.5 mm ²	0.8 mm

(1) Max. 15 Vac, 0.5 mA

VIDEO DOOR ENTRY KITS

AUDIO DOOR ENTRY KITS

IPAL

2 WIRES

DIGITAL

4+N

1 ACCESS

EXAMPLES OF ORDERS

DIMENSIONS & ACCESSORIES

LISTS OF PRODUCTS

LEGAL NOTICE

4+N

Indoor units



/ Handsets

WITH ELECTRONIC CALL

CODE	MODEL	DESCRIPTION
9600001	TEL-001	1 push-button
9600009	TEL-002	2 push-buttons
9600039	TEL-004	4 push-buttons
9600018	TEL-101	1 push-button (personalized)
9600003	TES-001	1 push-button (communication secret)

/ Universal handsets

WITH ELECTRONIC CALL AND BUZZER

CODE	MODEL	DESCRIPTION
9600040	TUN-201	1 push-button (extended compatibility)
9600002	TUN-001	1 push-button
9600011	TUN-002	2 push-buttons
9600013	TUN-101	1 push-button (personalized)

/ Intercommunication

WITH ELECTRONIC CALL

CODE	MODEL	DESCRIPTION
9600014	TIN-001	Handset with dial pad
9650001	GCI-001	Control unit

/ Decorative frames

FOR HANDSET

CODE	MODEL	DESCRIPTION
9730092	MAE-101	Dimensions: 125x275mm
9730093	MAE-102	Dimensions: 250x275mm
9730091	MAE-902	Made to measure *

* Made to measure in anodized aluminum.
Order example: MAE-902 (210x260), decorative frame for monitor, with 210mm outside width and 260mm height

/ Desktop supports

CODE	MODEL	DESCRIPTION
9730029	SST-001	For handset

/ Electronics accessories

CODE	MODEL	DESCRIPTION
9730019	AAL-200	Electronic call extension
9730020	AAL-210	Call extension with buzzer
9730021	ASC-050	Selector switch accessory activated by means of electronic call, buzzer call or external signal
9730060	APX-001	Kit which lets you add two extra push-buttons to the handset
9730061	AAL-130	Accessory for receiving calls from the landing on the handset

Entrance panels 201 Line



9670115
MAN-410



9670018
MTN-000



9670021
MLN-000



9690034
LPR-200



9690038
CCA-004



9670126
MMN-410

/ Upper modules

WITH AUDIO UNIT, CARDHOLDER OR iACCESS

SINGLE MODULE

CODE	MODEL	DESCRIPTION
9670115	MAN-410	Audio unit
9670119	MAN-451	Universal audio unit
9670116	MAN-430	Multiple access points audio unit
9670118	MAN-441	Multiple access points audio unit with privacy of communication
9690034	LPR-200	iACCESS cardholder
9670018	MTN-000	Cardholder
9670021	MLN-000	Blank entrance panel

DOUBLE MODULE (WITH CARDHOLDER)

CODE	MODEL	DESCRIPTION
9670126	MMN-410	Audio unit
9670127	MMN-451	Universal audio unit
9670128	MMN-430	Multiple access points audio unit
9670137	MMN-441	Multiple access points audio unit with privacy of communication

/ iACCESS RFID READER

CODE	MODEL	DESCRIPTION
9690034	LPR-200	iACCESS cardholder
9770083	RVE-032	iACCESS reader for cardholder
9690038	CCA-004	Advanced management central post

For further information regarding the iACCESS system, see pages 74-77

/ Lower modules

WITH PUSH-BUTTONS



SINGLE PUSH-BUTTONS

CODE	MODEL	PUSH-BUTTONS
9660014	MPS-001	1
9660015	MPS-002	2
9660000	MPS-003	3
9660001	MPS-004	4
9660002	MPS-005	5
9660003	MPS-006	6
9660004	MPS-007	7
9660005	MPS-008	8
9660006	MPS-009	9
9660007	MPS-010	10
9660008	MPS-011	11
9660009	MPS-012	12
9660010	MPS-013	13
9660011	MPS-014	14
9660012	MPS-015	15
9660013	MPS-016	16

CONFIGURABLE PUSH-BUTTONS

CODE	MODEL	STOREYS
9660064	MPD-900	1 to 8 *
9660065	MPD-901	9 to 16 *
9660016	MKD-900	1 to 12 storeys with keypad for access control **

* For order examples, see page 78
 ** For order examples, see page 79
 *** For order examples, see page 82

DOUBLE PUSH-BUTTONS

CODE	MODEL	PUSH-BUTTONS
9660048	MPD-001	2 (1 double)
9660049	MPD-002	4 (2 double)
9660050	MPD-003	6 (3 double)
9660051	MPD-004	8 (4 double)
9660052	MPD-005	10 (5 double)
9660053	MPD-006	12 (6 double)
9660054	MPD-007	14 (7 double)
9660055	MPD-008	16 (8 double)
9660056	MPD-009	18 (9 double)
9660057	MPD-010	20 (10 double)
9660058	MPD-011	22 (11 double)
9660059	MPD-012	24 (12 double)
9660060	MPD-013	26 (13 double)
9660061	MPD-014	28 (14 double)
9660062	MPD-015	30 (15 double)
9660063	MPD-016	32 (16 double)

/ Compact entrance panel

WITH KEYPAD
FOR ACCESS CONTROL

SINGLE MODULE

CODE	MODEL	DESCRIPTION
9800006	PNK-00000	Keypad for access control

/ Flux-mounted boxes

CODE	MODEL	STOREYS
9740005	CMO-002	1 / 2 storeys
9740006	CMO-004	3 / 4 storeys
9740007	CMO-006	5 / 6 storeys
9740008	CMO-008	7 / 8 storeys
9740009	CMO-010	9 / 10 storeys
9740010	CMO-012	11 / 12 storeys
9740011	CMO-014	13 / 14 storeys
9740012	CMO-016	15 / 16 storeys
9740015	CMO-018	15 / 16 storeys and double upper module
9740004	CEM-001	Separators (2 units)

NOTE: surface boxes, rain-shields, frames and trims, see section 'Entrance panels-201 Line' on pages 47 and 48



/ Accessories

CODE	MODEL	DESCRIPTION
9730006	APC-001	Common door: activates the same door opener from several entrance panels
9730005	AAL-001	Accessory that allows to use entrance panel modules with 4+N audio unit and electronic call in installations with buzzer call handsets
9730021	ASC-050	Selector switch accessory activated by means of electronic call, buzzer call or external signal
9730057	ASC-051	Selector switch accessory with timer activated by means of external control signal
9730023	ASC-001	Selector switch accessory activated by means of external control signal
9730103	PPA-002	Illuminated vandal-proof timed push-button

Entrance panels

Vandal-proof made to measure

CODE	MODEL	DESCRIPTION
9800131	PLE-001	With push-buttons

These entrance panels by ALCAD are adapted to the needs of the installation, with a customized configuration both in the location of the push-buttons and in the size of the complete entrance panel – recording the name of the building on the same entrance panel is also permitted. All of them made of stainless steel.

Check with your sales representative to get your quote.



Electric locks

/ Flush electric locks

WITH ADJUSTABLE LATCH

UNIVERSAL

CODE	MODEL	DESCRIPTION
9730087	ABR-021	Simple 12-18V AC/DC. Compact

STANDARD SIZE 12V AC

CODE	MODEL	DESCRIPTION
9730000	ABR-001	Simple
9730001	ABR-002	Simple and release
9730002	ABR-003	Automatic
9730003	ABR-004	Automatic and release

/ Magnetic electric locks

OVERLAPPING ELECTROMAGNETIC DOOR LOCK

CODE	MODEL	DESCRIPTION
9730076	VEN-003	300Kg 12/24 V
9730077	VEN-005	500Kg 12/24 V

/ Accessories

CODE	MODEL	DESCRIPTION
9730004	CNP-001	Door contact
9730033	ESC-010	Large shield for electric locks
9620001	ALA-040	25 VA power supply unit, electronic door entry system
9620011	ALM-040	25 VA power supply unit, video door entry system
9730021	ASC-050	Relay for maneuvers with special openers and other functions
9730103	PPA-002	Illuminated vandal-proof timed push-button

Power supply units

/ Power supply units

CODE	MODEL	DESCRIPTION
9620001	ALA-040	25 VA power supply unit, electronic door entry system
9620002	ALA-020	16 VA power supply unit, electronic door entry system
9620011	ALM-040	25 VA power supply unit, video door entry system
9650001	GCI-001	Control unit for AIB-001 in video intercom installations or with guard unit



Standard quotes and diagrams

STANDARD QUOTE. ELECTRONIC DOOR ENTRY SYSTEM WITH ELECTRONIC CALL. 1 ACCESS POINT

No. OF FLATS	MODEL														
	TEL-001	MAN-410	MLN-000	MPS-003	MPS-004	MPS-005	MPD-003	MPD-004	MPD-005	MPD-006	ALA-040	CEM-001	CMO-004	CMO-006	ABR-001
1x3	3	1		1							1		1		1
2x3	6	1					1			1		1	1		1
2x4	8	1						1		1		1	1		1
2x5	10	1							1	1		1	1		1
2x6*	12	1								1	1				1
3x4	12	1	1	1			1			1	1	2			1
3x5	15	1	1		1			1		1	1		2		1
3x6	18	1	1			1				1	1	1	2		1
4x4	16	1	1				2			1	1	2			1
4x5	20	1	1					2		1	1		2		1
4x6	24	1	1						2	1	1		2		1
6x5	30	1	2					3		1	2		3	1	1
6x6	36	1	2						3	1	2		3	1	1

* Installation for 2 flats per storey and 6 storeys.

STANDARD QUOTE. ELECTRONIC DOOR ENTRY SYSTEM WITH ELECTRONIC CALL. 2 ACCESS POINTS

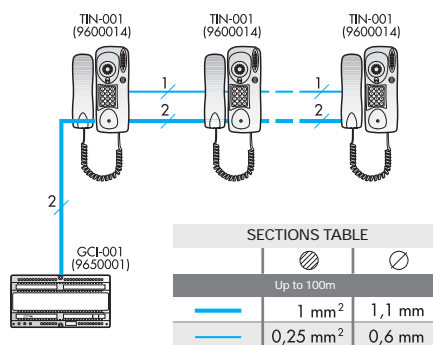
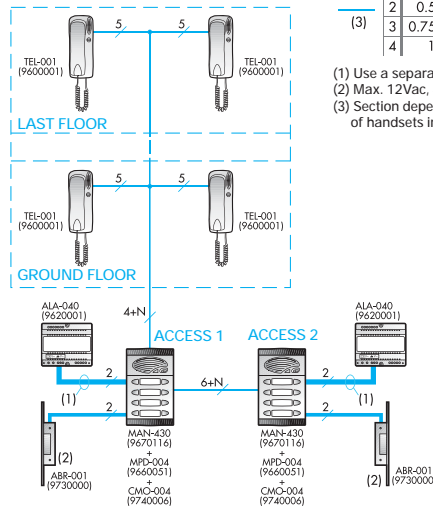
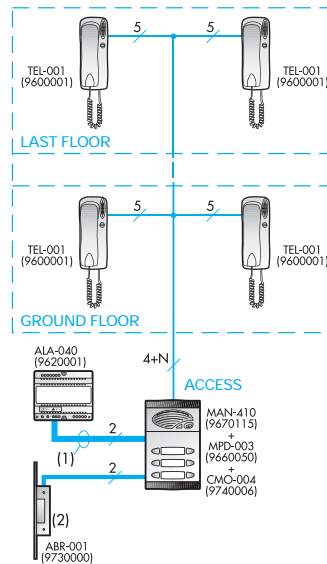
No. OF FLATS	MODEL														
	TEL-001	MAN-430	MLN-000	MPS-003	MPS-004	MPS-005	MPD-003	MPD-004	MPD-005	MPD-006	ALA-040	CEM-001	CMO-004	CMO-006	ABR-001
1x3	3	2		2							2		2		2
2x3	6	2					2			2		2	2		2
2x4	8	2						2		2		2	2		2
2x5	10	2							2	2		2	2		2
2x6*	12	2								2	2		2		2
3x4	12	2	2	2			2			2	2	4			2
3x5	15	2	2		2			2		2	2		4		2
3x6	18	2	2			2			2	2	2	4	4		2
4x4	16	2	2				4			2	2	4			2
4x5	20	2	2					4		2	2		4		2
4x6	24	2	2						4	2	2		4		2
6x5	30	2	4					6		2	4		6	2	2
6x6	36	2	4						6	2	4		6	2	2

* Installation for 2 flats per storey and 6 storeys.

STANDARD QUOTE. INTERCOMMUNICATION

No. OF FLATS	MODEL	
	TIN-001	CCI-001
2	2	1
5	5	1
10	10	1
16	16	1

STANDARD DIAGRAMS AND SECTIONS





iACCESS

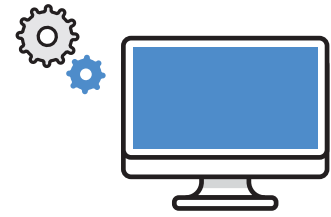
Access control through proximity readers

iACCESS is an access control system through proximity readers integrated in our entrance panels, which allows access to the facilities by using electronic keys, avoiding the use of traditional keys or memorizing access codes.

The card allows the residents entrance control to the different points of a building or an housing development by giving total or partial permits. The system allows the creation of activated keys only temporarily, for example for the summer months (pool cleaners, lifeguards), or only for specific times (gardeners can only access with their electronic key in the morning).

The system allows the configuration of those options, the creation of new keys for new users, the cancellation of lost keys, and many more configuration options in a **simple and fast** way. The control of all these possibilities, is possible thanks to our accessible iACCESS WEB application at <https://alcad-iaccess.com/>

The system provides **comfort** for the residents, as well as advantages in **security and control** of the people who access to the facilities of



FIRST STEPS

Generating your new keys and RFID cards is as easy as following the steps below:

- 1 Go to <https://alcad-iaccess.com/> and sign up for the service
- 2 Download and install the new drivers via the iACCESS Manager link
- 3 Download the manual by clicking on the "?" icon and create your first installation
- 4 Record keys and RFID cards by connecting the PLO-000 programmer to the computer
- 5 Don't forget your username and password - you will need them for future transactions

Compatible with our 2 WIRES, DIGITAL and 4+N systems



the building from property managers, thanks to a better access management of the service providers (workers, counting of accountants, postman, etc.) to the different common parts of the buildings (main door, technical premises, roof, terraces, etc.).

/ RFID readers

CODE	MODEL	DESCRIPTION
9690035	LPR-010	iVANDAL
9690033	LPR-900	iBLACK
9770083	RVE-032	iACCESS reader for cardholder
9690038	CCA-004	Advanced management central post



9690035
LPR-010



9690033
LPR-900

/ RFID keys for residents

KEYCHAIN FORMAT

CODE	MODEL	DESCRIPTION
9690018	LAC-020	Set of 5 keys for a single housing (numbers 0, 1, 2, 3 y 4)
9690001	LAC-000	10 keys no. 0
9690002	LAC-001	10 keys no. 1
9690003	LAC-002	10 keys no. 2
9690004	LAC-003	10 keys no. 3
9690005	LAC-004	10 keys no. 4
9690006	LAC-005	10 keys no. 5
9690012	LAC-006	10 keys no. 6
9690013	LAC-007	10 keys no. 7
9690014	LAC-008	10 keys no. 8
9690015	LAC-009	10 keys no. 9



9690038
CCA-004



9690040
LAC-200



9690001
LAC-000



9690016
LAC-010

CARD FORMAT

CODE	MODEL	DESCRIPTION
9690040	LAC-200	10 cards

/ Special RFID keys

KEYCHAIN FORMAT

CODE	MODEL	DESCRIPTION
9690016	LAC-010	CCA-004 central post configuration electronic proximity key
9690017	LAC-011	Electronic proximity key for access to multiple installations



9800114
PNK-50000



9690039
KPR-001

/ Keypads for access control

CODE	MODEL	DESCRIPTION
9690039	KPR-001	RFID keypad and reader. IP66
9800006	PNK-00000	201 Line keypad
9800114	PNK-50000	iBLACK keypad



9800006
PNK-00000



9690010
PLO-000

/ Key programmer

CODE	MODEL	DESCRIPTION
9690010	PLO-000	USB programmer for proximity keys

VIDEO DOOR
ENTRY KITS

AUDIO DOOR
ENTRY KITS

IPAL

2 WIRES

DIGITAL

4+N

iACCESS

EXAMPLES
OF ORDERS

DIMENSIONS &
ACCESSORIES

LISTS OF
PRODUCTS

LEGAL
NOTICE



/ Flush electric locks

WITH ADJUSTABLE LATCH

UNIVERSAL

CODE	MODEL	DESCRIPTION
9730087	ABR-021	Simple 12-18V AC/DC. Compact

COMPACT SIZE

CODE	MODEL	DESCRIPTION
9730025	ABR-011	Simple 15V DC
9730007	ABR-013	Automatic 15V DC
9730008	ABR-014	Automatic and manual release 15V DC
9730085	ABR-019	Fail safe 15V DC

STANDARD SIZE

CODE	MODEL	DESCRIPTION
9730062	ABR-015	Simple 15V DC
9730064	ABR-017	Automatic 15V DC
9730065	ABR-018	Automatic and manual release 15V DC

/ Magnetic electric locks

OVERLAPPING ELECTROMAGNETIC DOOR LOCK

COMPACT SIZE

CODE	MODEL	DESCRIPTION
9730076	VEN-003	300Kg 12/24 V
9730077	VEN-005	500Kg 12/24 V

/ Power supply units and accessories

CODE	MODEL	DESCRIPTION
9730004	CNP-001	Door contact
9730033	ESC-010	Large shield for electric locks
9620001	ALA-040	25 VA power supply unit, electronic door entry system
9620016	ALC-030	25 VA power supply unit, video door entry system
9620011	ALM-040	Relay for maneuvers with special openers and other functions
9730021	ASC-050	Illuminated vandal-proof timed push-button

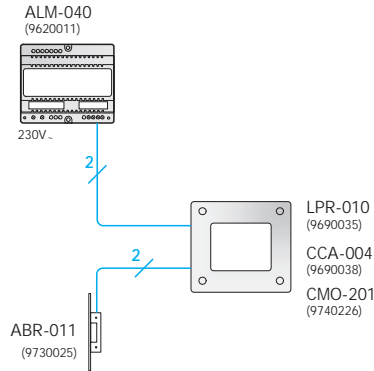
Standard quotes and diagrams

STANDARD QUOTE. iVANDAL

5 keys per housing. Does not include the PLO-000 programmer, necessary to program the keys.

No OF FLATS	MODEL					
	LAC-020	LPR-010	CCA-004	CMO-201	ALM-040	ABR-011
3	3	1	1	1	1	1
6	6	1	1	1	1	1
8	8	1	1	1	1	1
10	10	1	1	1	1	1
12	12	1	1	1	1	1
15	15	1	1	1	1	1
18	18	1	1	1	1	1
16	16	1	1	1	1	1
20	20	1	1	1	1	1
48	48	1	1	1	1	1

STANDARD DIAGRAM. iVANDAL iACCESS for access control

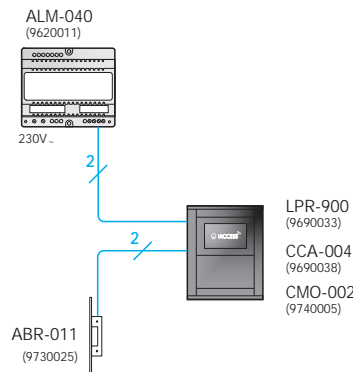


STANDARD QUOTE. iBLACK

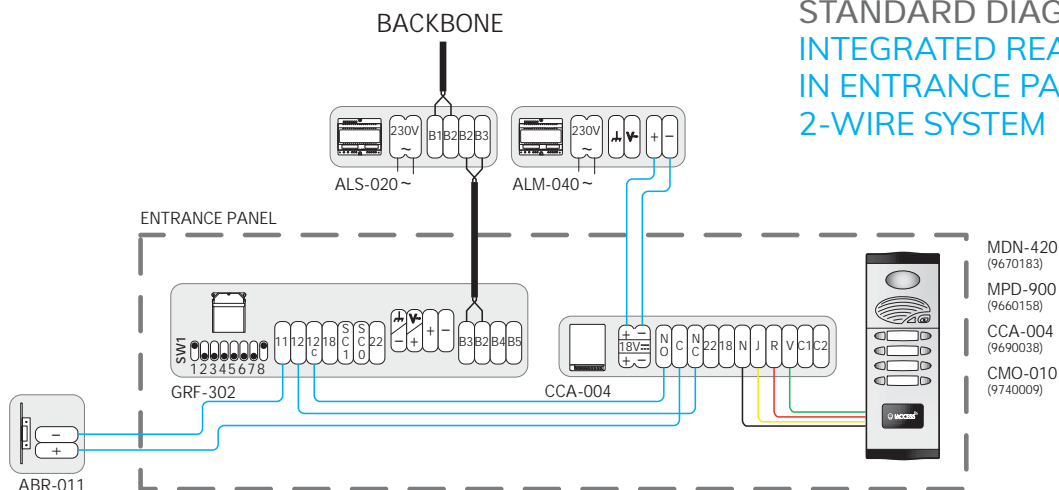
5 keys per housing. Does not include the PLO-000 programmer, necessary to program the keys.

No OF FLATS	MODEL				
	LAC-020	LPR-900	CCA-004	CMO-002	ABR-011
3	3	1	1	1	1
6	6	1	1	1	1
8	8	1	1	1	1
10	10	1	1	1	1
12	12	1	1	1	1
15	15	1	1	1	1
18	18	1	1	1	1
16	16	1	1	1	1
20	20	1	1	1	1
48	48	1	1	1	1

STANDARD DIAGRAM. iBLACK iACCESS for access control



STANDARD DIAGRAM. INTEGRATED READER IN ENTRANCE PANEL 2-WIRE SYSTEM



ANNEXES

EXAMPLES OF SPECIAL PRODUCT ORDERS

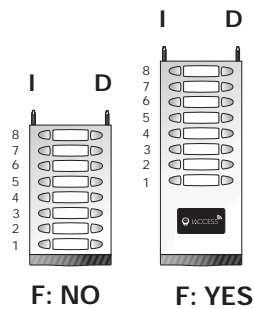
Entrance panels 201 Line

MPD-900

CONFIGURABLE LOWER MODULE WITH PUSH-BUTTONS.
FROM 1 TO 8 STOREYS IN SINGLE AND DOUBLE ENTRANCE PANELS



- A:** code (9660064)
 - B:** model (MPD-900)
 - C:** S -single push-buttons D-double push-buttons
 - D:** entrance panel height from 001 to 008
 - E:** push-buttons to be removed (1,2,3I,4D...)
 - F:** YES-with iACCESS reader; NO-without iACCESS reader
- Note:** If F is not indicated, it is understood that you the iACCESS reader is not requested.
The height of the iACCESS reader is equivalent to 4 button heights.



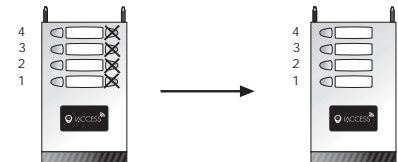
Ex1: 9660064 MPD-900(S-004,1,2, NO)

A	B	C	D	E	F
9660064	MPD-900	S	-004	1,2	NO



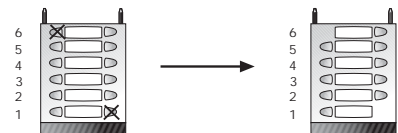
Ex2: 9660064 MPD-900(D-004,1D,2D,3D,4D,YES)

A	B	C	D	E	F
9660064	MPD-900	D	-004	1D,2D,3D,4D	YES



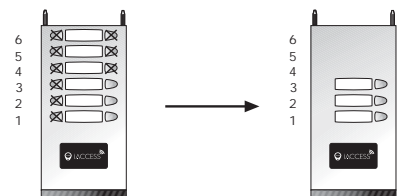
Ex3: 9660064 MPD-900(D-006,1D,6I)

A	B	C	D	E	F
9660064	MPD-900	D	-006	1D,6I	



Ex4: 9660064 MPD-900(D-006,1I,2I,3I,4,5,6,YES)

A	B	C	D	E	F
9660064	MPD-900	D	-006	1I,2I,3I,4,5,6	YES



Entrance panels 201 Line

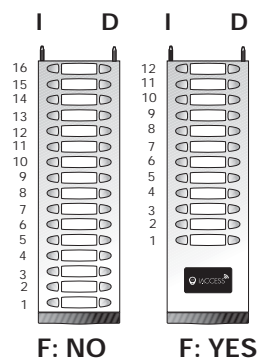
MPD-901

CONFIGURABLE LOWER MODULE WITH PUSH-BUTTONS.
FROM 9 TO 16 STOREYS IN SINGLE AND DOUBLE ENTRANCE PANELS



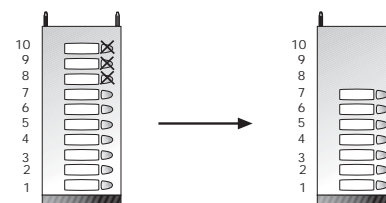
- A:** code (9660065)
- B:** model (MPD-901)
- C:** S -single push-buttons D-double push-buttons
- D:** entrance panel height from 001 to 008
(from 009 to 012 if F=YES)
- E:** push-buttons to remove (1,2,3I,4D...)
- F:** YES-with iACCESS reader; NO-without iACCESS reader

Note: If F is not indicated, it is understood that you the iACCESS reader is not requested. The height of the iACCESS reader is equivalent to 4 button heights.



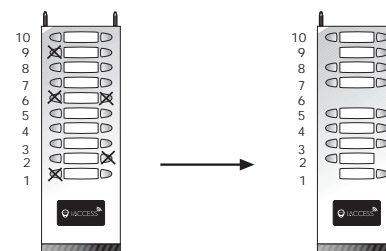
Ej1: 9660065 MPD-901(S-010,8,9,10)

A	B	C	D	E	F
9660065	MPD-901	S	-010	8,9,10	



Ej2: 9660065 MPD-901(D-010,1I,2D,6,9I,YES)

A	B	C	D	E	F
9660065	MPD-901	D	-010	1I,2D,6,9I	YES



Entrance panels 201 Line

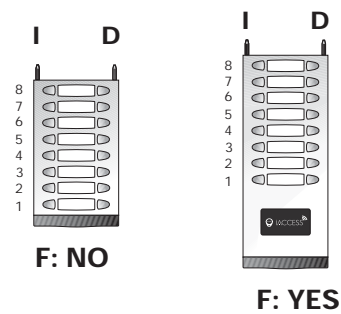
MPD-902

CONFIGURABLE LOWER MODULE WITH PUSH-BUTTONS.
FROM 1 TO 8 STOREYS IN SINGLE AND DOUBLE ENTRANCE PANELS



- A:** code (9660158)
- B:** model (MPD-902)
- C:** S -single push-buttons D-double push-buttons
- D:** entrance panel height from 001 to 008
- E:** push-buttons to remove (1,2,3I,4D...)
- F:** YES-with iACCESS reader; NO-without iACCESS reader

Note: If F is not indicated, it is understood that you the iACCESS reader is not requested.
The height of the iACCESS reader is equivalent to 4 button heights.



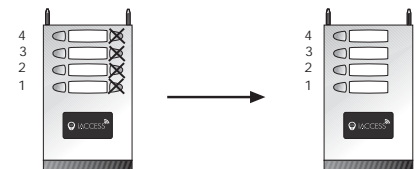
ex. 1: 9660158 MPD-902(S-004,1,2, NO)

A	B	C	D	E	F
9660158	MPD-902	S	-004	1,2	NO



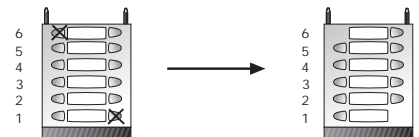
ex. 2: 9660158 MPD-902(D-004,1D,2D,3D,4D,YES)

A	B	C	D	E	F
9660158	MPD-902	D	-004	1D,2D,3D,4D	SI



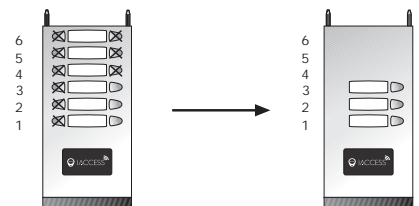
ex. 3: 9660158 MPD-902(D-006,1D,6I)

A	B	C	D	E	F
9660158	MPD-902	D	-006	1D,6I	



ex. 4: 9660158 MPD-902(D-006,1I,2I,3I,4,5,6,YES)

A	B	C	D	E	F
9660158	MPD-902	D	-006	1I,2I,3I,4,5,6	YES



Entrance panels 201 Line

MPD-903

CONFIGURABLE LOWER MODULE WITH PUSH-BUTTONS.
FROM 9 TO 16 STOREYS IN SINGLE AND DOUBLE ENTRANCE PANELS



- A:** code (9660159)
- B:** model (MPD-903)
- C:** S-single push-buttons D-double push-buttons
- D:** entrance panel height from 009 to 016 (from 009 to 012 if F=YES)
- E:** push-buttons to remove (1,2,3I,4D...)
- F:** YES-with iACCESS reader; NO-without iACCESS reader

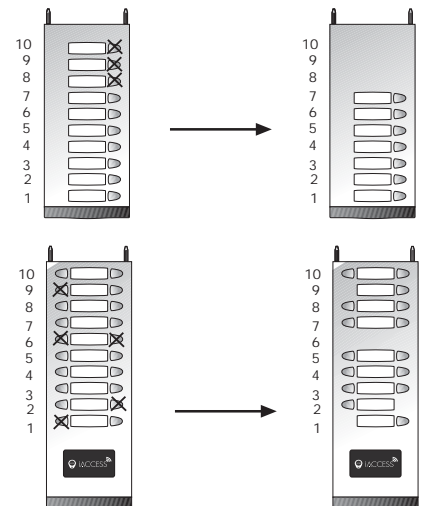
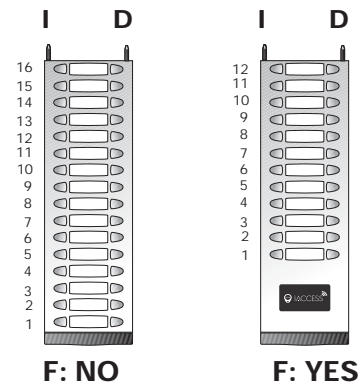
Note: If F is not indicated, it is understood that you the iACCESS reader is not requested.
The height of the iACCESS reader is equivalent to 4 button heights.

ex. 1: 9660159 MPD-903(S-010,8,9,10)

A	B	C	D	E	F
9660159	MPD-903	S	-010	8,9,10	

ex. 2: 9660159 MPD-903(D-010,1I,2D,6,9I,YES)

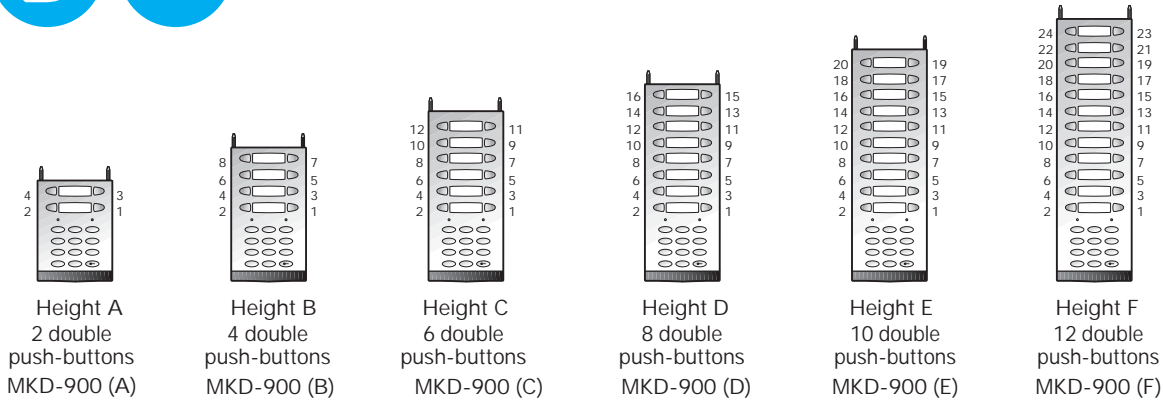
A	B	C	D	E	F
9660159	MPD-903	D	-010	1I,2D,6,9I	YES



Entrance panels 201 Line

MKD-900

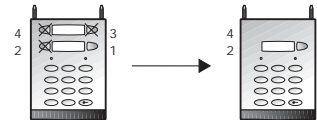
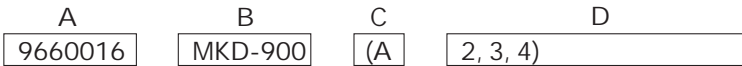
CONFIGURABLE LOWER MODULE WITH PUSHBUTTONS AND KEYPAD FOR ACCESS CONTROL. 1 TO 12 STOREYS



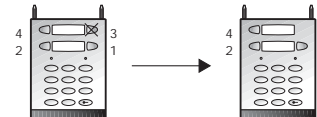
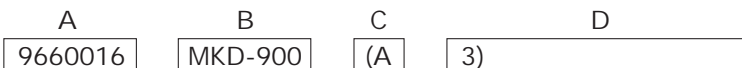
Note: The height of the iACCESS reader is equivalent to 4 button heights.

EXAMPLES OF ORDERS

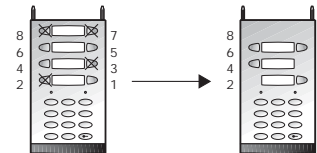
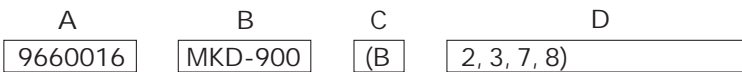
ex.1: 9660016 MKD-900 (A, 2, 3, 4)



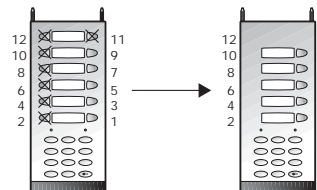
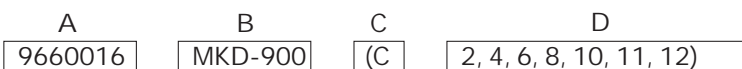
ex.2: 9660016 MKD-900 (A, 3)



ex.3: 9660016 MKD-900 (B, 2, 3, 7, 8)



ex.4: 9660016 MKD-900 (C, 2, 4, 6, 8, 10, 11, 12)



Key

- A: code (9660016)
- B: model (MKD-900)
- C: height of the entrance panel (A, B, C, D, E or F)
- D: push-buttons to remove (1, 3...)



KIT erlea plus

The perfect union between design & technology

2 WIRE video intercom kit for installations in a single-family home.

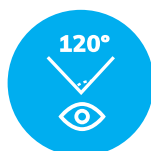
It facilitates access control and identifies the person making the call. The **auto-start system** allows you to view the image captured by the camera without the need to receive a call, which is useful in surveillance situations, or when you want to establish communication with the entrance panel.

As an additional function, the monitor incorporates an **automatic image capture of unanswered calls**. Thus, when a call has not been answered, it automatically stores the image of the person who has made the call.

Includes **DIN rail power supply** for professional installations.

Main advantages

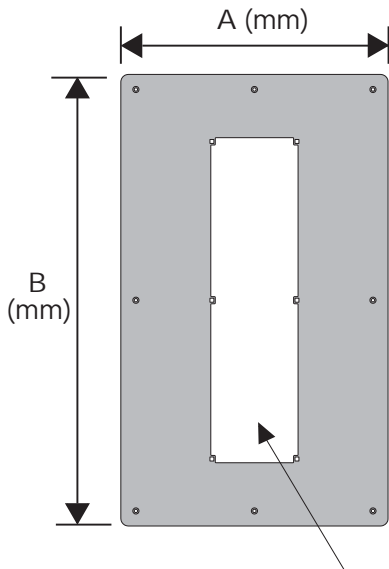
- Entrance panel with a glass-like finish and **high-resistance zamak aluminum** rain shield. IP55 protection.
- 120° **wide-angle** camera.
- **Touch capacitive button**.
- **iACCESS** reader.
- **5 RFID keys**: 3 for door opening and 2 for configuration.
- **7-inch hands-free monitor** with touch screen.
- Can add up to **two extra monitors** (KMC-12800 model).



Frames Aloï

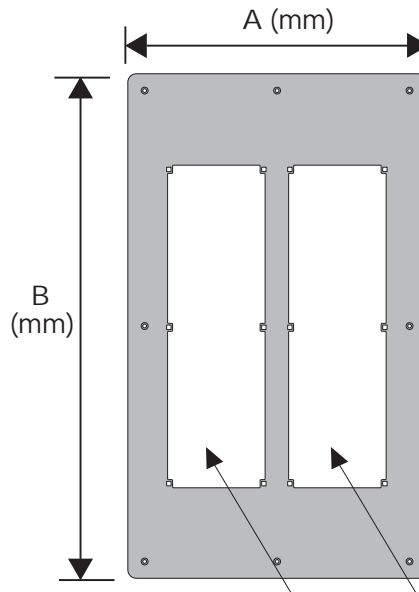
MAR-600 / MAR-601 / MAR-602

9740231- MAR-600 (CMO/A/B)



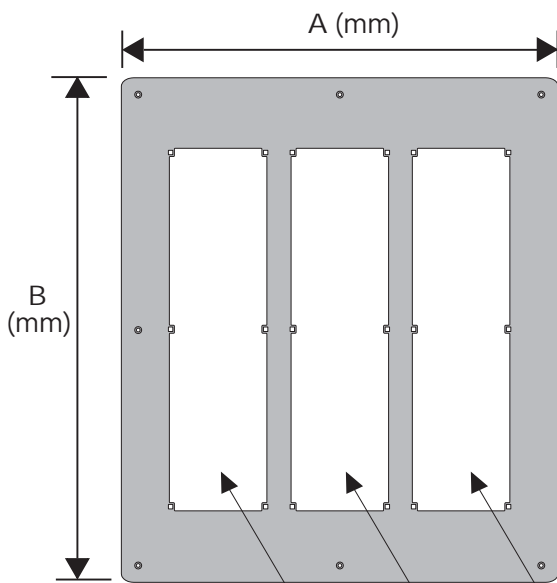
Hole determined by the flush-mounted box to be installed (CMO)

9740232- MAR-601 (CMO/A/B)



Hole determined by the flush-mounted box to be installed (CMO)

9740233- MAR-602 (CMO/A/B)



Hole determined by the flush-mounted box to be installed (CMO)

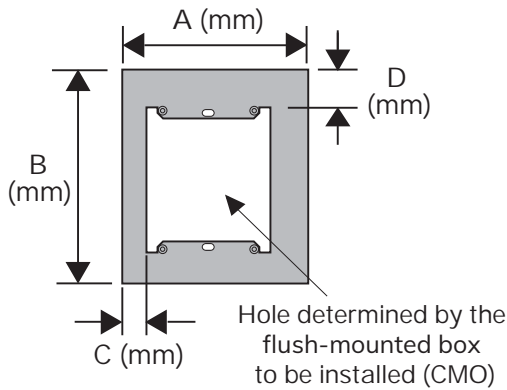
NOTES:

- The CMO parameter corresponds to the last three figures of the particular flush-mounted box to be used. For example, if the flush-mounted box is model CMO-610, then the parameter is 610.
- A & B parameters correspond to the outer dimensions of the frame.

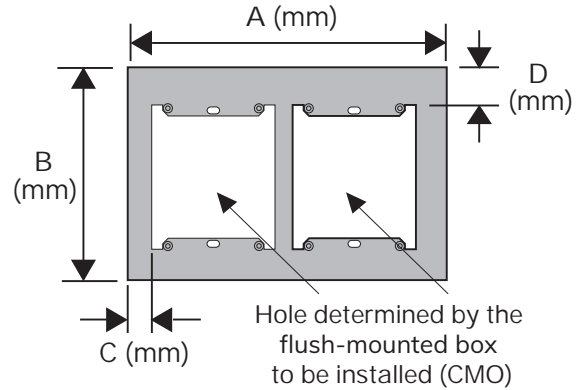
Frames Usod + iBLACK + Línea 201

MAR-900 / MAR-901 / MAR-902

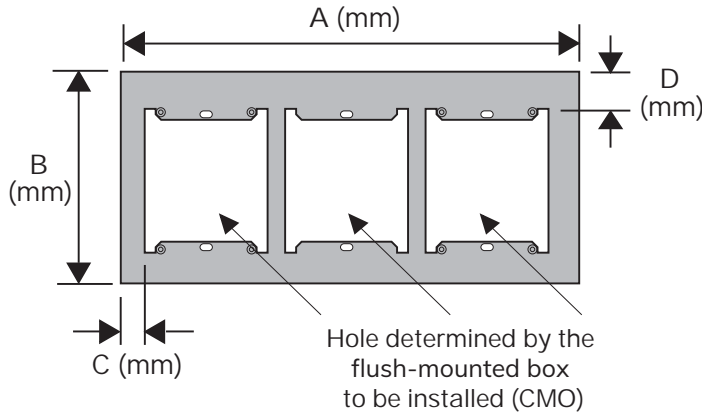
9740047- MAR-900 (CMO/A/B/C/D/E)



9740016- MAR-901 (CMO/A/B/C/D/E)

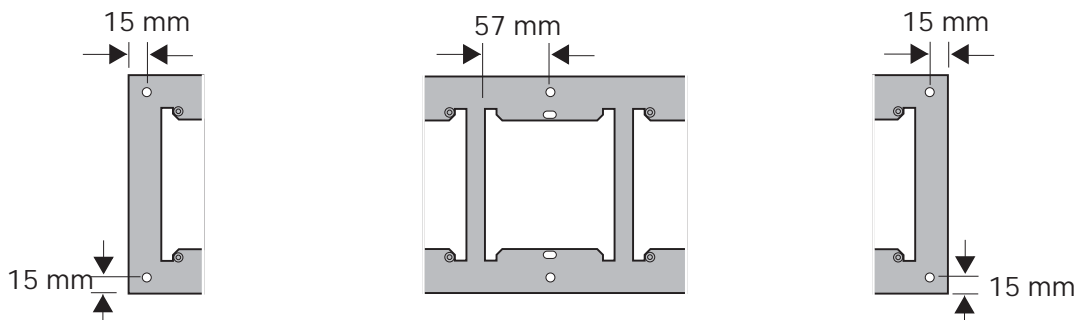


9740017- MAR-902 (CMO/A/B/C/D/E)



NOTES:

- The CMO parameter corresponds to the last three figures of the particular flush-mounted box to be used. For example, if the flush-mounted box is model CMO-610, then the parameter is 610.
- A & B parameters correspond to the outer dimensions of the frame.
- Parameters C and D indicate the offset of the recess in the frame. If they are not indicated, it is understood that the opening must be centred in the frame.
- Parameter E indicates whether you want the frame with or without holes for fixing to the wall. Enter an S if you want the frame to have holes, or an N if you want it without holes. If no value is indicated, it is understood that you want it without holes. The position of the holes is fixed and is indicated below:



Only for three entrance panels in parallel

Entrance panels iBLACK

PPD-52900 / PPD-52901 / PPD-52902
PPD-52903 / PPD-52904 / PPD-52905

STREET PANELS WITH SIMPLE OR DOUBLE PUSHBUTTONS.
1 TO 18 SOREYS WITH 1 OR 2 WINDOWS



KEY

A: Code

B: Model

C: S-Single push-buttons. D-double push-buttons

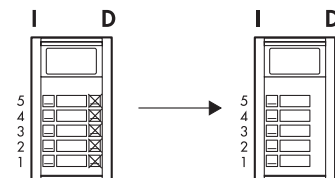
D: Height of the entrance panel

E: Push-buttons to remove

A:	9660130	9660131	9660132	9660133	9660134	9660135
B:	PPD-52900	PPD-52901	PPD-52902	PPD-52903	PPD-52904	PPD-52905
C:	S - D	S - D	S - D	S - D	S - D	S - D
D:	001 ~ 008	009 ~ 016	001 ~ 008	009 ~ 016	003 ~ 010	009 ~ 018
E:	1, 2, 3I, 4D...	1, 3I, 4D, 12...	1, 2, 3I, 4D...	1, 3I, 4D, 12...	1, 3I, 4D, 10D...	1, 3I, 4D, 12...

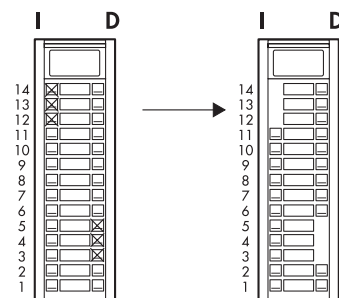
ex. 1 9660130 PPD-52900 (D-005, 1D, 2D, 3D, 4D, 5D)

A	B	C	D	E
9660130	PPD-52900	D	005	1D, 2D, 3D, 4D, 5D



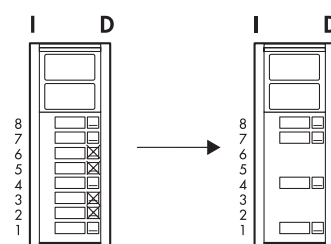
ex. 2 9660131 PPD-52901 (D-014, 3D, 4D, 5D, 12I, 13I, 14I)

A	B	C	D	E
9660131	PPD-52901	D	014	3D, 4D, 5D, 12I, 13I, 14I



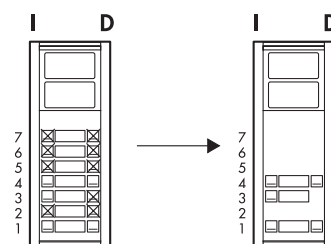
ex. 3 9660132 PPD-52902 (S-008, 2, 3, 5, 6)

A	B	C	D	E
9660132	PPD-52902	S	008	2, 3, 5, 6



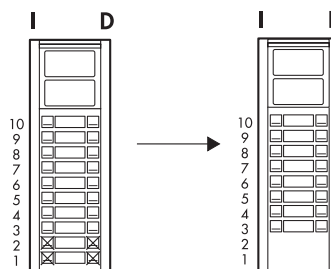
ex. 4 9660132 PPD-52902 (D-007, 2, 3D, 5, 6, 7)

A	B	C	D	E
9660132	PPD-52902	D	007	2, 3D, 5, 6, 7



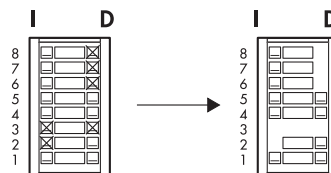
ex. 5 9660133 PPD-52903 (D-10,1,2)

A	B	C	D	E
9660133	PPD-52903	D	010	1,2



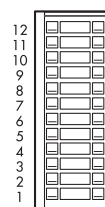
ex. 6 9660134 PPD-52904 (D-008, 2I, 3, 6D, 7D, 8D)

A	B	C	D	E
9660134	PPD-52904	D	008	2I, 3, 6D, 7D, 8D



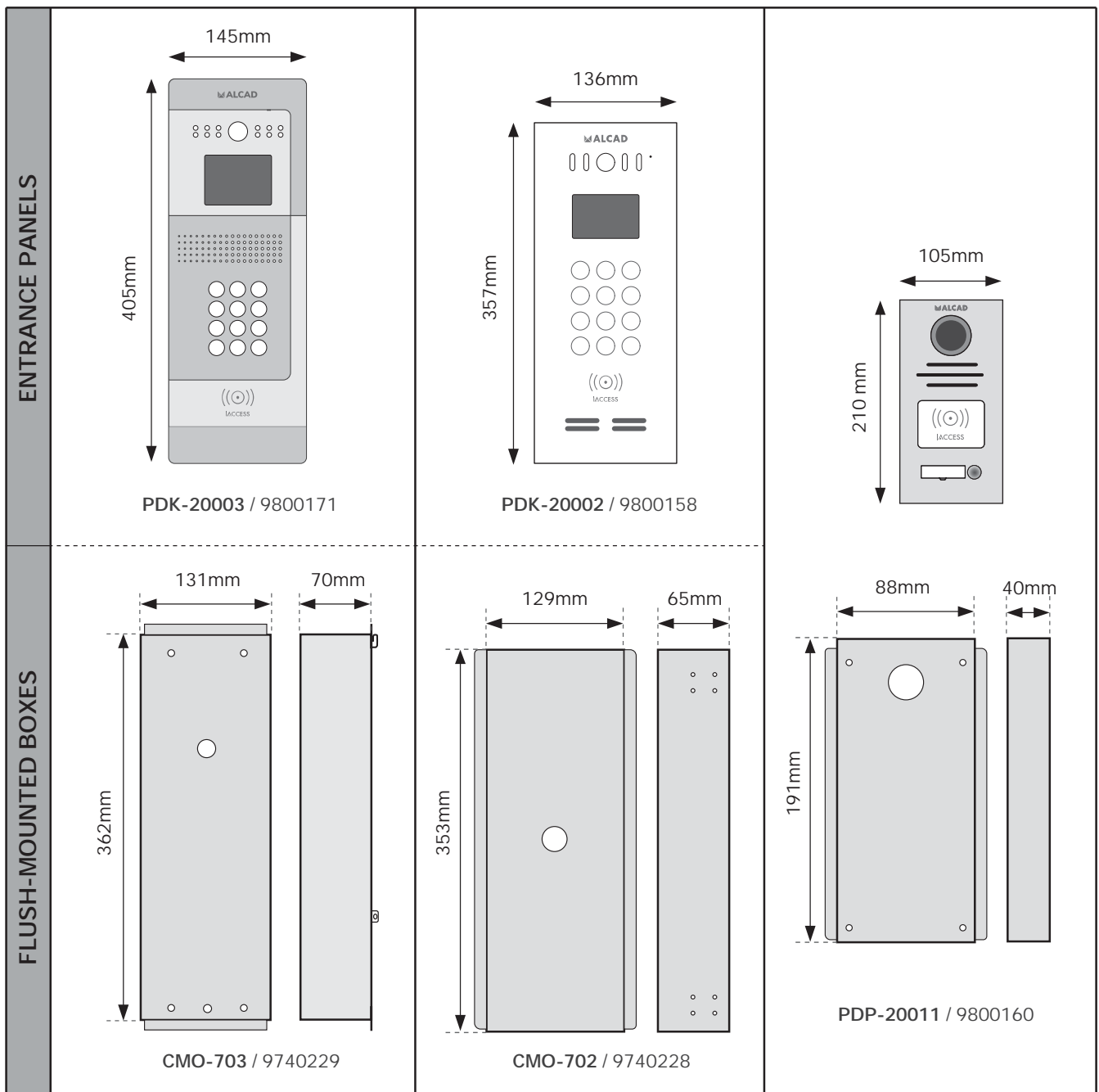
ex. 7 9660135 PPD-52905 (D-012)

A	B	C	D	E
9660135	PPD-52905	D	012	

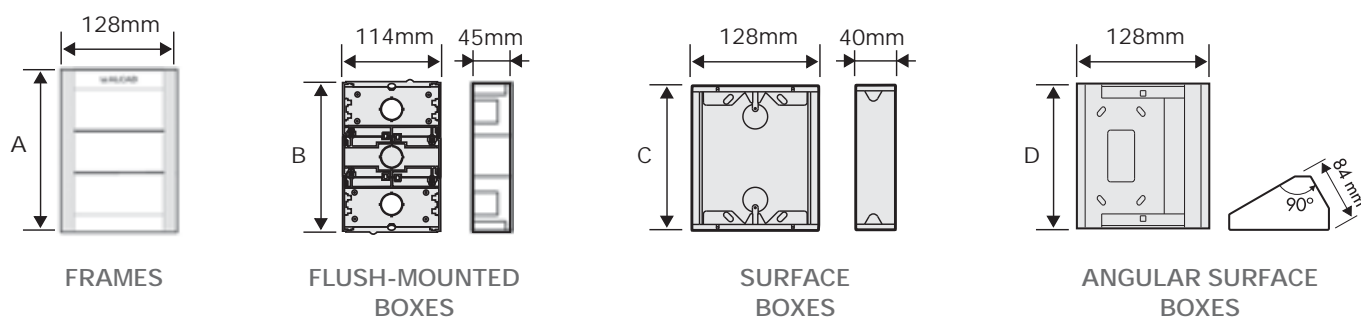


DIMENSIONS & ACCESSORIES

Entrance panels IPAL



Entrance panels USOA



NUMBER OF WINDOWS	FRAMES	A (mm)	FLUSH-MOUNTED BOXES	B (mm)	SURFACE BOXES	C (mm)	ANGULAR SURFACE BOXES	D (mm)
2	FRA-002	147	CMO-002	131	CSU-712	147	CSU-311	140
3	FRA-003	195	CMO-004	179	CSU-713	195	CSU-312	188
4	FRA-004	243	CMO-006	227	CSU-714	243	CSU-313	236
5	FRA-005	291	CMO-008	275	CSU-715	291	CSU-314	284
6	FRA-006	339	CMO-010	323	CSU-716	339	CSU-315	332
7	FRA-007	387	CMO-012	371	CSU-717	387	CSU-316	380
8	FRA-008	435	CMO-014	419	CSU-718	435	CSU-317	428
9	FRA-009	483	CMO-016	467	CSU-719	483	CSU-318	476
10	FRA-010	531	CMO-018	515	CSU-710	531	CSU-319	524



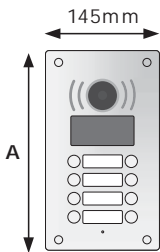
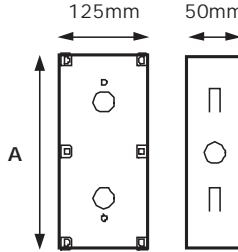
USOA

The modular entrance panel that adapts to you

USOA offers you total freedom of choice of modules to create personalized compositions, with an innovative aesthetic



Entrance panels Aloj

		ENTRANCE PANELS		FLUSH-MOUNTED BOXES	
					
		MODELS		MODELS	
		PANEL WITH RFID READER			
MODULES	142mm	9690035 LPR-010		125 mm	9740243 CMO-601
	1/2 STOREYS	MODELS		MODELS	
212 mm		ENTRANCE PANELS	EXTENSIONS	195 mm	MODELS
		9800227 PTS-63201	9800249 PTS-64201		9740244 CMO-602
		9800228 PTS-63202	9800250 PTS-64202		
		9800237 PTD-63201	9800259 PTD-64201		
		9800238 PTD-63202	9800260 PTD-64202		
3/4 STOREYS	260 mm	9800229 PTS-63203	9800251 PTS-64203	243 mm	9740245 CMO-604
		9800230 PTS-63204	9800252 PTS-64204		
		9800239 PTD-63203	9800261 PTD-64203		
		9800240 PTD-63204	9800262 PTD-64204		
5/6 STOREYS	308 mm	9800231 PTS-63205	9800253 PTS-64205	291 mm	9740246 CMO-606
		9800232 PTS-63206	9800254 PTS-64206		
		9800241 PTD-63205	9800263 PTD-64205		
		9800242 PTD-63206	9800264 PTD-64206		
7/8 STOREYS	356 mm	9800233 PTS-63207	9800255 PTS-64207	339 mm	9740247 CMO-608
		9800234 PTS-63208	9800256 PTS-64208		
		9800243 PTD-63207	9800265 PTD-64207		
		9800244 PTD-63208	9800266 PTD-64208		
9/10 STOREYS	404 mm	9800235 PTS-63209	9800257 PTS-64209	387 mm	9740248 CMO-610
		9800236 PTS-63210	9800258 PTS-64210		
		9800245 PTD-63209	9800267 PTD-64209		
		9800246 PTD-63210	9800268 PTD-64210		
10/11 STOREYS	452 mm	9800247 PTD-63211	9800269 PTD-64211	435 mm	9740249 CMO-612
		9800248 PTD-63212	9800270 PTD-64212		

VIDEO DOOR
ENTRY KITS

AUDIO DOOR
ENTRY KITS

IPAL

2 WIRES

DIGITAL

4+N

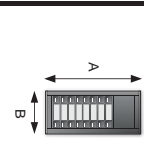

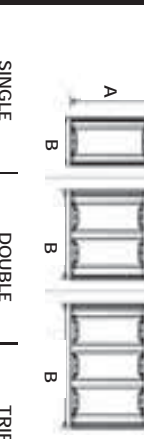

IACCESS

EXAMPLES
OF ORDERS

**DIMENSIONS &
ACCESSORIES**


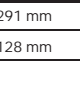

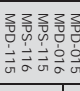

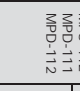
LISTS OF
PRODUCTS

LEGAL
NOTICE

7/8 STOREYS		5/6 STOREYS		3/4 STOREYS		1/2 STOREYS		
339 mm	291 mm	291 mm	243 mm	243 mm	195 mm	195 mm	147 mm	 ENTRANCE PANELS
128 mm	128 mm	128 mm	128 mm	128 mm	128 mm	128 mm	128 mm	
PPS-52207 PPS-52208 PPD-52207 PPD-52208	PPS-52107 PPS-52108 PPD-52107 PPD-52108	PPS-52205 PPS-52206 PPD-52205 PPD-52206	PPS-52105 PPS-52106 PPD-52105 PPD-52106	PPS-52203 PPS-52204 PPD-52203 PPD-52204	PPS-52103 PPS-52104 PPD-52103 PPD-52104	PPS-52201 PPS-52202 PPD-52201 PPD-52202	PPS-52101 PPS-52102 PPD-52101 PPD-52102 LPR-900 MVN-909	
323 mm	275 mm	275 mm	227 mm	227 mm	179 mm	179 mm	131 mm	 FLUSH-MOUNTED BOXES
114 mm	114 mm	114 mm	114 mm	114 mm	114 mm	114 mm	114 mm	
CMO-010	CMO-008	CMO-008	CMO-006	CMO-006	CMO-004	CMO-004	CMO-002	
364 mm	316 mm	316 mm	268 mm	268 mm	220 mm	220 mm	172 mm	 RAIN-SHIELDS FOR FLUSH-MOUNTED BOXES
171 mm	171 mm	171 mm	171 mm	171 mm	171 mm	171 mm	171 mm	
SINGLE		SINGLE		SINGLE		SINGLE		
364 mm	316 mm	316 mm	268 mm	268 mm	220 mm	220 mm	172 mm	
299 mm	299 mm	299 mm	299 mm	299 mm	299 mm	299 mm	299 mm	
DOUBLE		DOUBLE		DOUBLE		DOUBLE		
364 mm	316 mm	316 mm	268 mm	268 mm	220 mm	220 mm	172 mm	
427 mm	427 mm	427 mm	427 mm	427 mm	427 mm	427 mm	427 mm	
TRIPLE		TRIPLE		TRIPLE		TRIPLE		
339 mm	291 mm	291 mm	243 mm	243 mm	195 mm	195 mm	147 mm	
128 mm	128 mm	128 mm	128 mm	128 mm	128 mm	128 mm	128 mm	
CSU-515	CSU-514	CSU-514	CSU-513	CSU-513	CSU-512	CSU-512	CSU-511	
352 mm	304 mm	304 mm	256 mm	256 mm	208 mm	208 mm	160 mm	 RAIN-SHIELDS FOR SURFACE BOXES
156 mm	156 mm	156 mm	156 mm	156 mm	156 mm	156 mm	156 mm	
SINGLE		SINGLE		SINGLE		SINGLE		
352 mm	304 mm	304 mm	256 mm	256 mm	208 mm	208 mm	160 mm	
284 mm	284 mm	284 mm	284 mm	284 mm	284 mm	284 mm	284 mm	
DOUBLE		DOUBLE		DOUBLE		DOUBLE		
352 mm	304 mm	304 mm	256 mm	256 mm	208 mm	208 mm	160 mm	
412 mm	412 mm	412 mm	412 mm	412 mm	412 mm	412 mm	412 mm	
TRIPLE		TRIPLE		TRIPLE		TRIPLE		
332 mm	284 mm	284 mm	236 mm	236 mm	188 mm	188 mm	140 mm	
128 mm	128 mm	128 mm	128 mm	128 mm	128 mm	128 mm	128 mm	
CSU-315	CSU-314	CSU-314	CSU-313	CSU-313	CSU-312	CSU-312	CSU-311	
ANGULAR SURFACE BOX		ANGULAR SURFACE BOX		ANGULAR SURFACE BOX		ANGULAR SURFACE BOX		

VIDEO DOOR ENTRY KITS
AUDIO DOOR ENTRY KITS
TAPI
2 WIRES
DIGITAL
N+4
ACCESS
EXAMPLES OF ORDERS
DIMENSIONS & ACCESSORIES
LISTS OF PRODUCTS
NOTICE

Entrance panels 201 Line

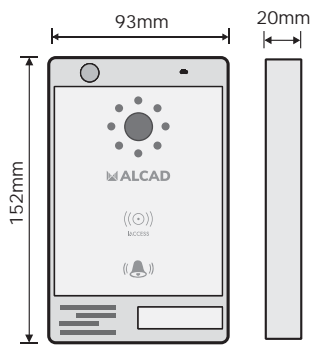
ENTRANCE PANEL		FLUSH-MOUNTED BOX		RAIN-SHIELDS FOR FLUSH-MOUNTED BOXES			SURFACE BOX		RAIN-SHIELDS FOR SURFACE BOXES			ANGULAR SURFACE BOX	
A	B	A	B	A	B	A	B	A	B	A	B	A	B
147 mm	128 mm	291 mm	128 mm	172 mm	171 mm	172 mm	299 mm	160 mm	156 mm	160 mm	412 mm	140 mm	128 mm
													
MODEL PAK-41000 PAK-42000 PAK-44000 PAK-03020 PDK-41500 PDK-42500 PDK-44500 PTN-00000		MODEL CMO-008		MODEL VIS-114 VIS-124 VIS-134			MODEL CSU-214		MODEL VIS-214 VIS-224 VIS-234			MODEL CSU-314	
MAN-905 PNK-00000		CMO-002		VIS-111 VIS-121 VIS-131			CSU-211		VIS-211 VIS-221 VIS-231			CSU-311	

15/16 STOREYS		13/14 STOREYS			11/12 STOREYS		
DOUBLE	SINGLE	TRIPLE	DOUBLE	SINGLE	TRIPLE	DOUBLE	SINGLE
531 mm	483 mm	531 mm	483 mm	435 mm	483 mm	435 mm	387 mm
128 mm	128 mm	128 mm	128 mm	128 mm	128 mm	128 mm	128 mm
515 mm	467 mm	515 mm	467 mm	419 mm	467 mm	419 mm	371 mm
114 mm	114 mm	114 mm	114 mm	114 mm	114 mm	114 mm	114 mm
CMO-018	CMO-016	CMO-018	CMO-016	CMO-014	CMO-016	CMO-014	CMO-012
556 mm	508 mm	556 mm	508 mm	460 mm	508 mm	460 mm	412 mm
171 mm	171 mm	171 mm	171 mm	171 mm	171 mm	171 mm	171 mm
VIS-119	VIS-118	VIS-119	VIS-118	VIS-117	VIS-118	VIS-117	VIS-116
556 mm	508 mm	556 mm	508 mm	460 mm	508 mm	460 mm	412 mm
299 mm	299 mm	299 mm	299 mm	299 mm	299 mm	299 mm	299 mm
VIS-129	VIS-128	VIS-129	VIS-128	VIS-127	VIS-128	VIS-127	VIS-126
556 mm	508 mm	556 mm	508 mm	460 mm	508 mm	460 mm	412 mm
427 mm	427 mm	427 mm	427 mm	427 mm	427 mm	427 mm	427 mm
VIS-139	VIS-138	VIS-139	VIS-138	VIS-137	VIS-138	VIS-137	VIS-136
531 mm	483 mm	531 mm	483 mm	435 mm	483 mm	435 mm	387 mm
128 mm	128 mm	128 mm	128 mm	128 mm	128 mm	128 mm	128 mm
CSU-219	CSU-218	CSU-219	CSU-218	CSU-217	CSU-218	CSU-217	CSU-216
544 mm	496 mm	544 mm	496 mm	448 mm	496 mm	448 mm	400 mm
156 mm	156 mm	156 mm	156 mm	156 mm	156 mm	156 mm	156 mm
VIS-219	VIS-218	VIS-219	VIS-218	VIS-217	VIS-218	VIS-217	VIS-216
544 mm	496 mm	544 mm	496 mm	448 mm	496 mm	448 mm	400 mm
284 mm	284 mm	284 mm	284 mm	284 mm	284 mm	284 mm	284 mm
VIS-229	VIS-228	VIS-229	VIS-228	VIS-227	VIS-228	VIS-227	VIS-226
544 mm	496 mm	544 mm	496 mm	448 mm	496 mm	448 mm	400 mm
412 mm	412 mm	412 mm	412 mm	412 mm	412 mm	412 mm	412 mm
VIS-239	VIS-238	VIS-239	VIS-238	VIS-237	VIS-238	VIS-237	VIS-236
527 mm	476 mm	527 mm	476 mm	428 mm	476 mm	428 mm	380 mm
128 mm	128 mm	128 mm	128 mm	128 mm	128 mm	128 mm	128 mm
CSU-319	CSU-318	CSU-319	CSU-318	CSU-317	CSU-318	CSU-317	CSU-316

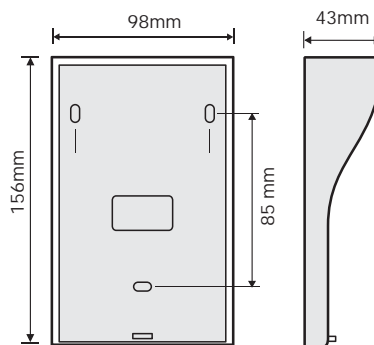
Handsets, monitors and accessories

KIT ERLEA PLUS

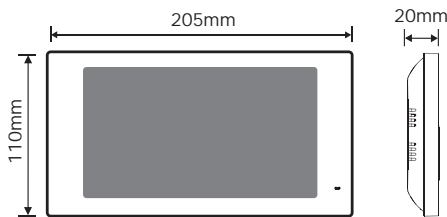
KVS-31221 / 9720165



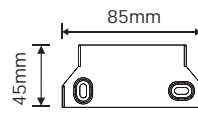
Entrance panel



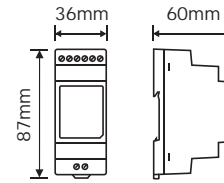
Rainshield for entrance panel



Monitor

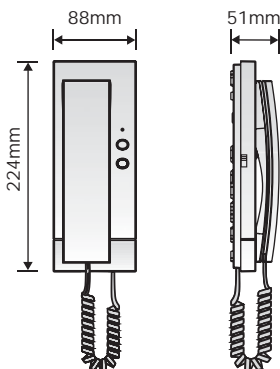


Monitor bracket

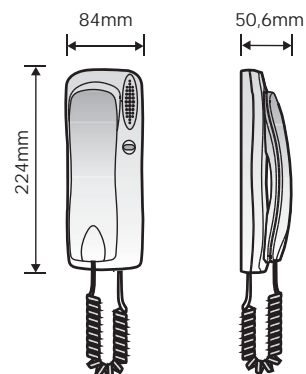


Power supply unit

HANDSETS

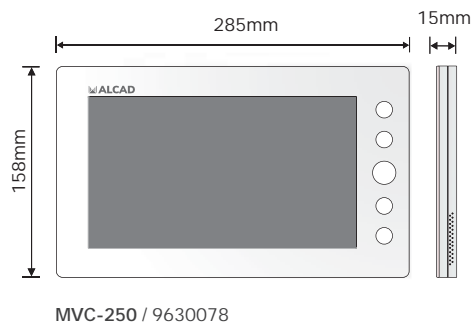
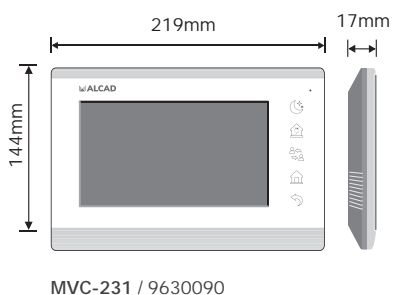
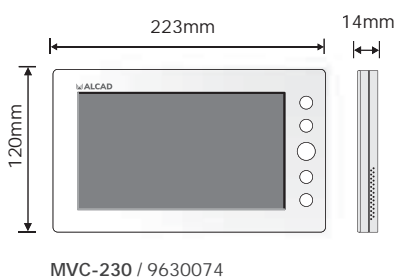
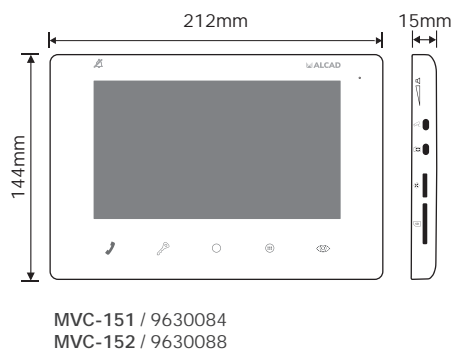
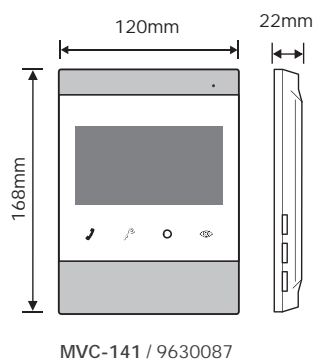
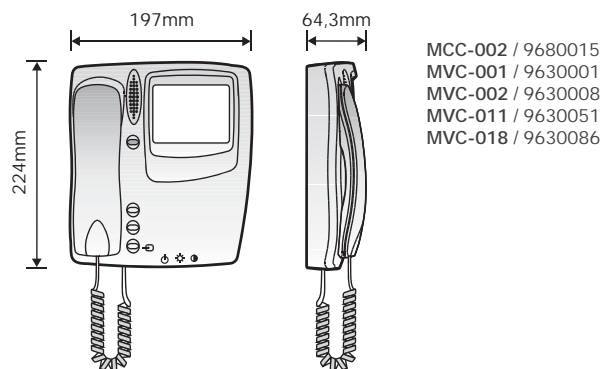
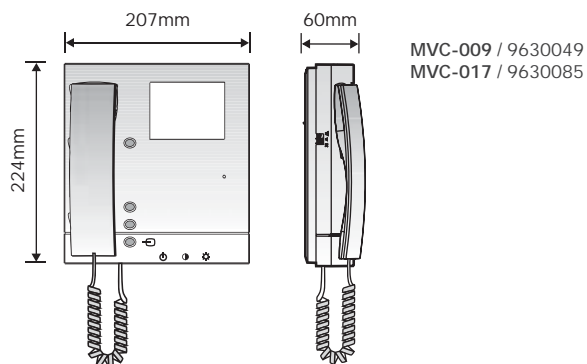


TET-002 / 9600034
TET-004 / 9600036
TET-302 / 9600042



TCD-001 / 9680008
TED-001 / 9600007
TED-002 / 9600010
TEL-001 / 9600001
TEL-004 / 9600039
TEL-101 / 9600018
TES-001 / 9600003
TIN-001 / 9600014
TUN-001 / 9600002
TUN-002 / 9600011
TUN-101 / 9600013
TUN-201 / 9600040

MONITORS



VIDEO DOOR
ENTRY KITS

AUDIO DOOR
ENTRY KITS

IPAL

2 WIRES

DIGITAL

4+N

IACCESS

EXAMPLES
OF ORDERS

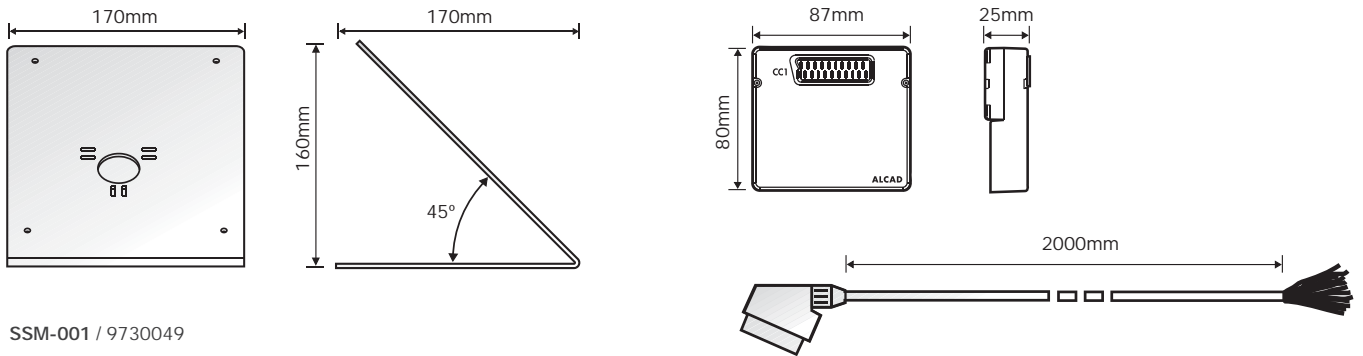
DIMENSIONS &
ACCESSORIES

LISTS OF
PRODUCTS

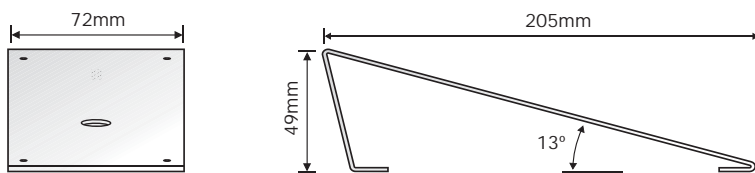
LEGAL
NOTICE

ACCESSORIES FOR INDOOR UNITS (MONITORS)

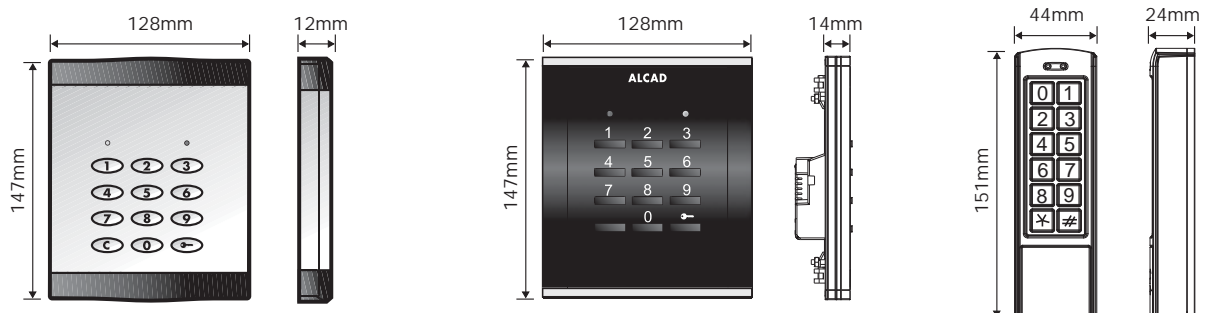
SOPORTE DE SOBREMESA



ACCESSORIES FOR INDOOR UNITS (HANDSETS)

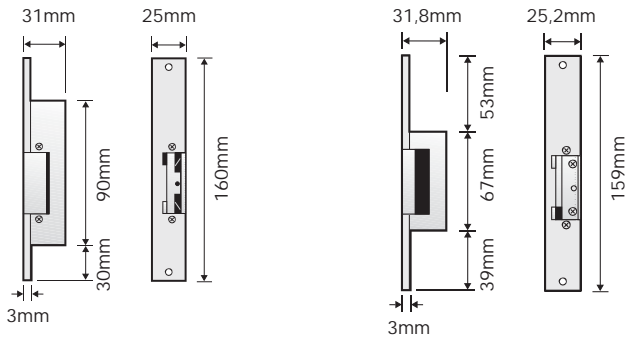


ACCESS CONTROL SYSTEM



ELECTRIC LOCKS

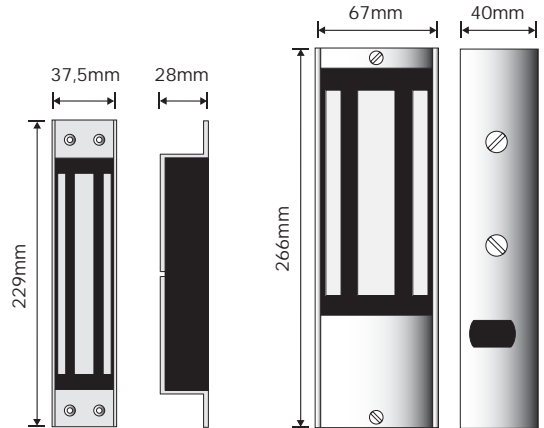
FLUSH ELECTRIC LOCKS



ABR-001 / 9730000
ABR-002 / 9730001
ABR-003 / 9730002
ABR-004 / 9730003
ABR-015 / 9730062
ABR-017 / 9730064
ABR-018 / 9730065

ABR-011 / 9730025
ABR-013 / 9730007
ABR-014 / 9730008
ABR-019 / 9730085
ABR-021 / 9730087

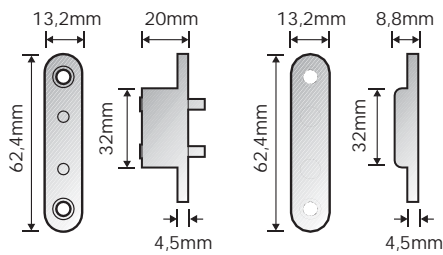
MAGNETIC ELECTRIC LOCKS



VEN-003 / 9730076

VEN-005 / 9730077

DOOR CONTACTS

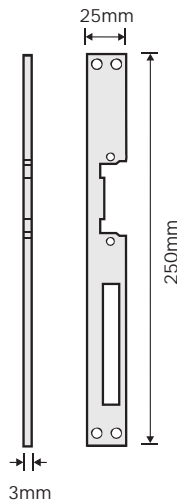


Male door contact

Female door contact

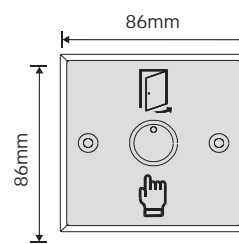
CNP-001 / 9730004

ELECTRIC LOCK SHIELD



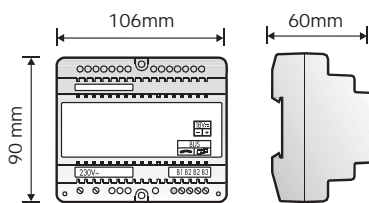
ESC-010 / 9730033

TIMED PUSH-BUTTON

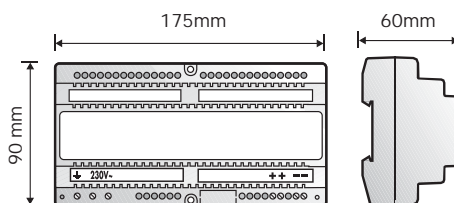


PPA-002 / 9730103

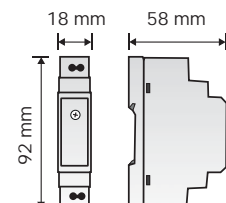
POWER SUPPLY UNITS



ALS-020 / 9650004
ALA-020 / 9620002
ALM-041 / 9620006
ALM-040 / 9620011
ALC-290 / 9620023



ALC-070 / 9620014



ALC-030 / 9620016

VIDEO DOOR
ENTRY KITS

AUDIO DOOR
ENTRY KITS

IPAL

2 WIRES

DIGITAL

4+H

IACCESS

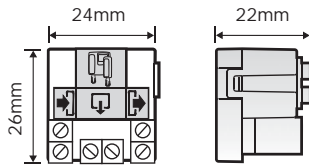
EXAMPLES
OF ORDERS

DIMENSIONS &
ACCESSORIES

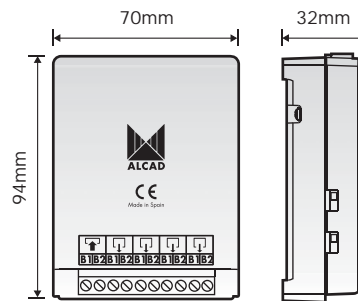
LISTS OF
PRODUCTS

LEGAL
NOTICE

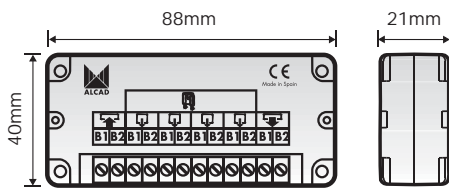
SPLITTERS / TAP-OFFS



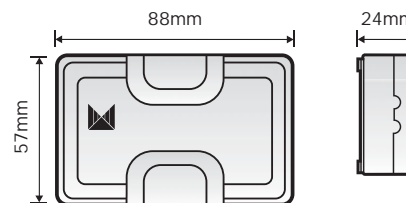
DIV-061 / 9730079
RVE-017 / 9770052



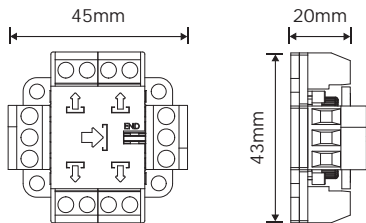
DIV-154 / 9730071
DIV-152 / 9730082



DIV-064 / 9730080

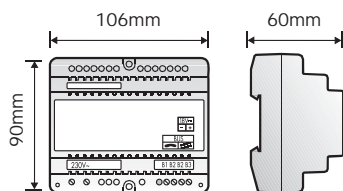


DIV-024 / 9730031
DIV-124 / 9730032

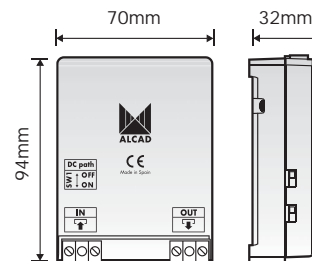


DIV-464 / 9730102

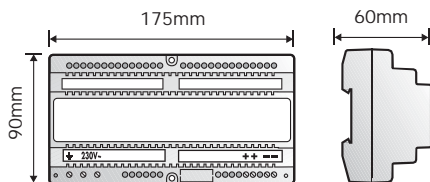
ELECTRONIC ACCESSORIES



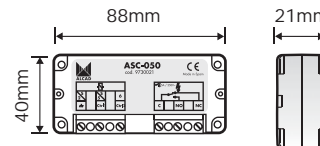
ALA-040 / 9620001
DIV-304 / 9730100



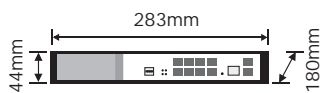
REG-053 / 9650021
REG-054 / 9650022



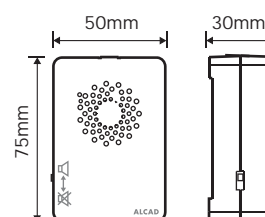
ALM-080 / 9620013
GCI-001 / 9650001



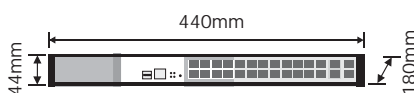
REG-050 / 9650013
APC-001 / 9730006
ASC-050 / 9730021
ASC-001 / 9730023
ASC-051 / 9730057
CCV-001 / 9730086



DIV-308 / 9730101

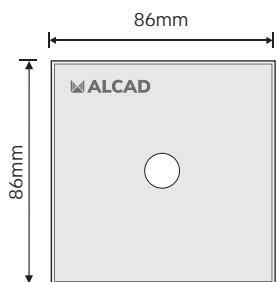


AAL-200 / 9730019
AAL-210 / 9730020

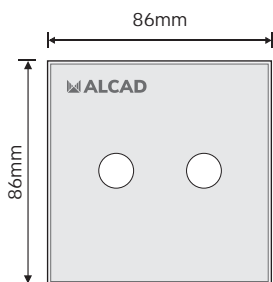


DIV-324 / 9730099

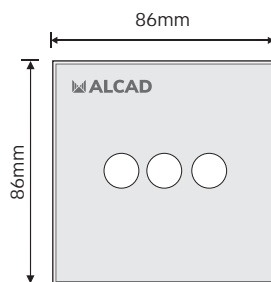
IPAL HOME AUTOMATION DEVICES



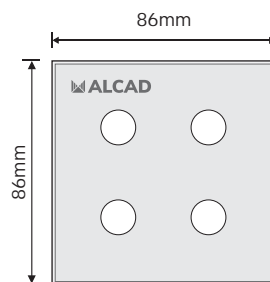
MEC-101 / 9790001



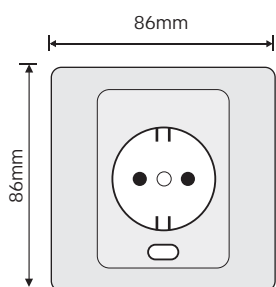
MEC-102 / 9790002



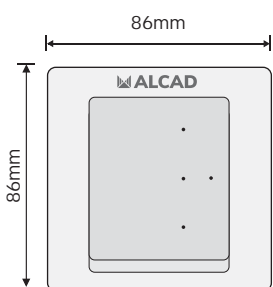
MEC-100 / 9790000
MEC-103 / 9790003
MEC-200 / 9790005



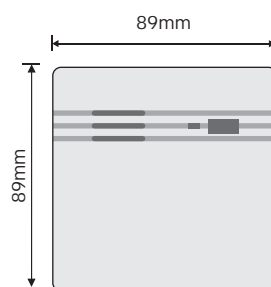
MEC-000 / 9790006



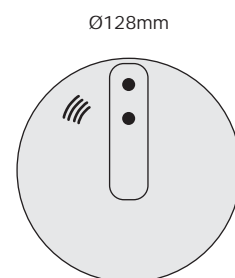
MEC-300 / 9790004



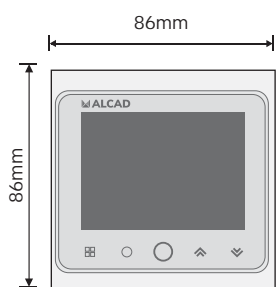
HAA-000 / 9790007



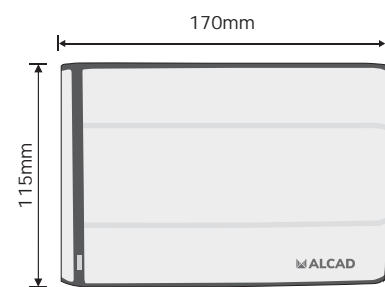
WSN-200 / 9790011



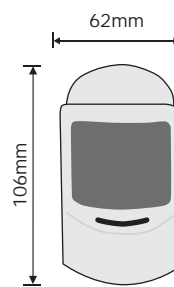
WSN-300 / 9790012



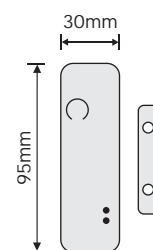
TER-000 / 9790014



HAA-001 / 9790008



WSN-400 / 9790013



WSN-500 / 9790010

VIDEO DOOR
ENTRY KITS

AUDIO DOOR
ENTRY KITS

IPAL

2 WIRES

DIGITAL

4+N

iACCESS

EXAMPLES OF
ORDERS

DIMENSIONS &
ACCESSORIES

LISTS OF
PRODUCTS

LEGAL
NOTICE

LISTS OF PRODUCTS

List by code

	CODE	MODEL	PACK	PAGE(S)
910	9100021	CE-753	400	17, 65
930	9300065	TCA-100	305	8, 17
960	9600001	TEL-001	20	68
	9600002	TUN-001	20	68
	9600003	TES-001	20	68
	9600007	TED-001	20	21, 60
	9600009	TEL-002	20	68
	9600010	TED-002	20	17, 60
	9600011	TUN-002	20	68
	9600013	TUN-101	20	68
	9600014	TIN-001	20	68
	9600018	TEL-101	20	68
	9600034	TET-002	20	32
	9600036	TET-004	20	32
	9600039	TEL-004	20	68
	9600040	TUN-201	20	68
	9600042	TET-302	20	32
962	9620001	ALA-040	18	17, 21, 50, 65, 72, 76
	9620002	ALA-020	18	72
	9620011	ALM-040	18	8, 9, 50, 65, 72, 76
	9620014	ALC-070	9	65
	9620016	ALC-030	20	76
	9620023	ALC-290	20	30
963	9630004	SCM-030	11	17, 60
	9630005	SCM-040	11	17
	9630008	MVC-002	12	17, 60
	9630031	SCM-051	11	32
	9630074	MVC-230	0	8, 28
	9630078	MVC-250	8	28
	9630080	MCO-300	40	28
	9630083	KMC-12800	6	9
	9630084	MVC-151	10	32
	9630085	MVC-017	14	32
	9630086	MVC-018	14	32
	9630087	MVC-141	12	32
	9630088	MVC-152	10	32
	9630090	MVC-231	0	28
965	9650001	GCI-001	9	65, 68, 72
	9650004	ALS-020	18	51
	9650013	REG-050	17	51
	9650021	REG-053	12	51
	9650022	REG-054	12	51
	9650025	GCO-001	7	51
966	9660000	MPS-003	1	63, 70
	9660001	MPS-004	1	63, 70
	9660002	MPS-005	1	63, 70
	9660003	MPS-006	1	63, 70
	9660004	MPS-007	1	63, 70
	9660005	MPS-008	1	63, 70
	9660006	MPS-009	9	63, 70
	9660007	MPS-010	9	63, 70
	9660008	MPS-011	7	63, 70
	9660009	MPS-012	7	63, 70
	9660010	MPS-013	7	63, 70
	9660011	MPS-014	7	63, 70

	CODE	MODEL	PACK	PAGE(S)
	9660012	MPS-015	7	63, 70
	9660013	MPS-016	7	63, 70
	9660014	MPS-001	12	63, 70
	9660015	MPS-002	11	63, 70
	9660016	MKD-900	7	63, 70
	9660048	MPD-001	11	63, 70
	9660049	MPD-002	1	63, 70
	9660050	MPD-003	1	63, 70
	9660051	MPD-004	1	63, 70
	9660052	MPD-005	1	63, 70
	9660053	MPD-006	1	63, 70
	9660054	MPD-007	1	63, 70
	9660055	MPD-008	1	63, 70
	9660056	MPD-009	9	63, 70
	9660057	MPD-010	9	63, 70
	9660058	MPD-011	7	63, 70
	9660059	MPD-012	7	63, 70
	9660060	MPD-013	7	63, 70
	9660061	MPD-014	1	63, 70
	9660062	MPD-015	1	63, 70
	9660063	MPD-016	7	63, 70
	9660064	MPD-900	9	63, 70
	9660065	MPD-901	7	63, 70
	9660066	PPS-52101	1	40
	9660067	PPS-52102	1	40
	9660068	PPS-52103	1	40
	9660069	PPS-52104	1	40
	9660070	PPS-52105	1	40
	9660071	PPS-52106	1	40
	9660072	PPS-52107	1	40
	9660073	PPS-52108	1	40
	9660074	PPS-52109	1	40
	9660075	PPS-52110	1	40
	9660076	PPS-52111	1	40
	9660077	PPS-52112	1	40
	9660078	PPS-52113	1	40
	9660079	PPS-52114	1	40
	9660080	PPS-52115	1	40
	9660081	PPS-52116	1	40
	9660082	PPS-52201	1	15, 40
	9660083	PPS-52202	1	40
	9660084	PPS-52203	1	40
	9660085	PPS-52204	1	40
	9660086	PPS-52205	1	40
	9660087	PPS-52206	1	40
	9660088	PPS-52207	1	40
	9660089	PPS-52208	1	40
	9660090	PPS-52209	1	40
	9660091	PPS-52210	1	40
	9660092	PPS-52211	1	40
	9660093	PPS-52212	1	40
	9660094	PPS-52213	1	40
	9660095	PPS-52214	1	40
	9660096	PPS-52215	1	40
	9660097	PPS-52216	1	40

CODE	MODEL	PACK	PAGE(S)
9660098	PPD-52101	1	40
9660099	PPD-52102	1	40
9660100	PPD-52103	1	40
9660101	PPD-52104	1	40
9660102	PPD-52105	1	40
9660103	PPD-52106	1	40
9660104	PPD-52107	1	40
9660105	PPD-52108	1	40
9660106	PPD-52109	1	40
9660107	PPD-52110	1	40
9660108	PPD-52111	1	40
9660109	PPD-52112	1	40
9660110	PPD-52113	1	40
9660111	PPD-52114	1	40
9660112	PPD-52115	1	40
9660113	PPD-52116	1	40
9660114	PPD-52201	1	40
9660115	PPD-52202	1	40
9660116	PPD-52203	1	40
9660117	PPD-52204	1	40
9660118	PPD-52205	1	40
9660119	PPD-52206	1	40
9660120	PPD-52207	1	40
9660121	PPD-52208	1	40
9660122	PPD-52209	1	40
9660123	PPD-52210	1	40
9660124	PPD-52211	1	40
9660125	PPD-52212	1	40
9660126	PPD-52213	1	40
9660127	PPD-52214	1	40
9660128	PPD-52215	1	40
9660129	PPD-52216	1	40
9660130	PPD-52900	1	41
9660131	PPD-52901	1	41
9660132	PPD-52902	1	41
9660133	PPD-52903	32	41
9660134	PPD-52904	15	41
9660135	PPD-52905	32	41
9660146	MPS-101	11	45
9660147	MPS-102	11	45
9660148	MPS-104	1	45
9660149	MPS-106	9	45
9660150	MPS-108	9	45
9660151	MPD-102	11	45
9660152	MPD-103	9	45
9660153	MPD-104	9	45
9660154	MPD-105	1	45
9660155	MPD-106	9	45
9660156	MPD-108	9	45
9660157	MPD-110	9	45
9660158	MPD-902	9	46
9660159	MPD-903	7	46
9660160	MPS-103	9	45
9660161	MPS-105	9	45
9660162	MPS-107	9	45
9660163	MPS-109	9	45
9660164	MPS-110	9	45
9660165	MPS-111	7	45
9660166	MPS-112	7	45
9660167	MPS-113	7	45
9660168	MPS-114	7	45
9660169	MPS-115	7	45
9660170	MPS-116	7	45
9660171	MPD-101	12	45
9660172	MPD-107	9	45

CODE	MODEL	PACK	PAGE(S)
9660173	MPD-109	9	45
9660174	MPD-111	7	45
9660175	MPD-112	7	45
9660176	MPD-113	7	45
9660177	MPD-114	7	45
9660178	MPD-115	1	45
9660179	MPD-116	7	45
967	9670018	MTN-000	11 44, 63, 69
	9670021	MLN-000	12 44, 63, 69
	9670045	MVN-302	11 63
	9670086	MLT-000	9 44, 63
	9670107	MVN-905	9 63
	9670115	MAN-410	12 69
	9670116	MAN-430	11 69
	9670118	MAN-441	11 69
	9670119	MAN-451	12 69
	9670126	MMN-410	9 69
	9670127	MMN-451	1 69
	9670128	MMN-430	1 69
	9670137	MMN-441	9 69
	9670144	MAN-470	11 63
	9670145	MMN-470	1 63
	9670146	MCN-470	9 63
	9670153	MDN-472	9 63
	9670154	MDT-472	9 63
	9670164	MAN-500	7 15, 41
	9670165	MTN-500	20 41
	9670166	MLN-500	20 41
	9670168	MAN-501	7 41
	9670182	MAN-420	1 44
	9670189	MMN-420	1 44
	9670192	MVN-509	20 15, 41
	9670193	MVN-909	12 41
	9670194	MDN-422	1 44
	9670195	MDT-422	9 44
	9670196	MVN-922	1 44
	9670197	MVN-409	12 44
	9670198	MDN-423	1 44
	9670199	MDT-423	9 44
	9670200	MAN-502	7 41
	9670201	MAN-503	7 41
	9670203	MVN-961	8 39
968	9680008	TCD-001	20 61
	9680015	MCC-002	12 61
	9680016	SCC-030	11 61
	9680025	COV-200	0 30
969	9690001	LAC-000	40 36, 75
	9690002	LAC-001	40 36, 75
	9690003	LAC-002	40 36, 75
	9690004	LAC-003	40 36, 75
	9690005	LAC-004	40 36, 75
	9690006	LAC-005	40 36, 75
	9690010	PLO-000	7 36, 75
	9690012	LAC-006	40 36, 75
	9690013	LAC-007	40 36, 75
	9690014	LAC-008	40 36, 75
	9690015	LAC-009	40 36, 75
	9690016	LAC-010	40 36, 75
	9690017	LAC-011	40 36, 75
	9690018	LAC-020	40 8, 9, 28, 36, 75
	9690030	LPR-500	20 41
	9690033	LPR-900	12 41, 75
	9690034	LPR-200	11 44, 63, 69
	9690035	LPR-010	8 39, 75
	9690038	CCA-004	7 39, 41, 44, 63, 69, 75

VIDEO DOOR
ENTRY KITS

AUDIO DOOR
ENTRY KITS

IPAL

2 WIRES

DIGITAL

4+N

IACCESS

EXAMPLES
OF ORDERS

DIMENSIONS &
ACCESSORIES

LISTS OF
PRODUCTS

LEGAL
NOTICE

	CODE	MODEL	PACK	PAGE(S)
	9690039	KPR-001	1	75
	9690040	LAC-200	40	36, 75
970	9700038	KAS-41003	6	22
	9700041	KAD-41002	6	22
	9700046	KAS-41021	14	22
	9700047	KAD-41021	6	22
	9700107	KAD-47001	6	20
	9700118	KAS-67001	6	20
	9700119	KAD-67001	6	20
	9700131	KAS-47021	10	20
971	9710002	FRA-002	12	10, 11, 34
	9710003	FRA-003	12	34
	9710004	FRA-004	15	34
	9710005	FRA-005	15	34
	9710006	FRA-006	15	34
	9710007	FRA-007	32	34
	9710008	FRA-008	32	34
	9710009	FRA-009	32	34
	9710010	FRA-010	32	34
	9710011	MVG-011	18	10, 11, 34
	9710012	MVG-000	18	34
	9710013	MVG-021	18	34
	9710014	MAG-011	18	34
	9710015	MAG-000	18	34
	9710016	MAG-021	18	34
	9710017	MPP-011	20	34
	9710018	MPP-021	20	34
	9710019	MPP-012	20	34
	9710020	MPP-022	20	34
	9710021	MPG-013	7	34
	9710022	MPG-014	7	34
	9710023	MPG-023	7	34
	9710024	MPG-024	7	34
	9710025	MLP-000	20	35, 36
	9710026	MCP-000	20	35
	9710027	MCG-000	7	35
	9710028	MTP-000	20	35
	9710029	MTG-000	7	35
	9710030	CUT-010	0	35
972	9720047	KVS-47201	6	16
	9720107	KVD-47201	4	16
	9720108	KVS-47501	6	16
	9720109	KVD-47501	4	16
	9720163	KIP-00300	1	8
	9720165	KVS-31221	6	9
	9720166	KVS-54021	6	14
	9720167	KVS-54121	6	14
	9720168	KVS-54221	6	15
	9720169	KVS-55121	6	10
	9720170	KVS-55321	0	11
	9720171	KVS-56121	0	12
	9720172	KVS-56321	0	13
973	9730000	ABR-001	50	72
	9730001	ABR-002	50	72
	9730002	ABR-003	50	72
	9730003	ABR-004	50	72
	9730004	CNP-001	50	50, 65, 72, 76
	9730005	AAL-001	18	71
	9730006	APC-001	18	38, 43, 46, 64, 71
	9730007	ABR-013	50	50, 65, 76
	9730008	ABR-014	50	50, 65, 76
	9730018	AAL-120	18	21, 60
	9730019	AAL-200	18	10, 11, 15, 17, 21, 23, 33, 60, 68
	9730020	AAL-210	18	68

	CODE	MODEL	PACK	PAGE(S)
	9730021	ASC-050	18	9, 33, 38, 43, 46, 50, 60, 61, 64, 65, 68, 71, 72, 76
	9730023	ASC-001	18	61, 64, 71
	9730025	ABR-011	50	50, 65, 76
	9730029	SST-001	8	33, 60, 68
	9730030	COL-000	18	63, 64
	9730031	DIV-024	75	65
	9730032	DIV-124	75	65
	9730033	ESC-010	0	50, 65, 72, 76
	9730034	MAE-900	8	33, 60
	9730035	MAE-001	10	33, 60
	9730036	MAE-002	10	33, 60
	9730049	SSM-001	8	33, 60
	9730054	SSC-001	4	61
	9730055	AIB-001	18	65
	9730056	SSC-002	4	61
	9730057	ASC-051	18	33, 60, 64, 71
	9730060	APX-001	8	60, 68
	9730061	AAL-130	18	60, 68
	9730062	ABR-015	50	8, 9, 10, 11, 12, 13, 15, 21, 50, 65, 76
	9730064	ABR-017	50	50, 65, 76
	9730065	ABR-018	50	50, 65, 76
	9730068	AIB-010	18	63, 64
	9730071	DIV-154	12	51
	9730072	APX-011	24	33
	9730076	VEN-003	1	50, 65, 72, 76
	9730077	VEN-005	1	50, 65, 72, 76
	9730079	DIV-061	30	51
	9730080	DIV-064	18	51
	9730082	DIV-152	12	10, 11, 12, 13, 15, 51
	9730084	DIV-041	17	51
	9730085	ABR-019	50	50, 65, 76
	9730086	CCV-001	40	38, 43, 46
	9730087	ABR-021	50	50, 65, 72, 76
	9730091	MAE-902	0	33, 60, 68
	9730092	MAE-101	10	33, 60, 68
	9730093	MAE-102	10	33, 60, 68
	9730097	APX-013	20	15, 33, 38, 43, 46
	9730098	DIV-261	30	33, 51
	9730099	DIV-324	6	30
	9730100	DIV-304	18	30
	9730101	DIV-308	12	30
	9730102	DIV-464	18	51
	9730103	PPA-002	0	38, 43, 46, 50, 64, 65, 71, 72, 76
	9730104	MAE-401	37	33
	9730105	MAE-402	26	33
	9730106	HST-002	0	35
974	9740001	TOP-100	100	47
	9740004	CEM-001	50	36, 42, 47, 64, 71
	9740005	CMO-002	16	10, 11, 36, 42, 47, 64, 71
	9740006	CMO-004	12	15, 36, 42, 47, 64, 71
	9740007	CMO-006	16	36, 42, 47, 64, 71
	9740008	CMO-008	15	36, 42, 47, 61, 64, 71
	9740009	CMO-010	12	36, 42, 47, 64, 71
	9740010	CMO-012	12	36, 42, 47, 64, 71
	9740011	CMO-014	12	36, 42, 47, 64, 71
	9740012	CMO-016	12	36, 42, 47, 64, 71
	9740015	CMO-018	20	36, 42, 47, 64, 71
	9740016	MAR-901	1	35, 43, 47
	9740017	MAR-902	1	35, 43, 47
	9740047	MAR-900	1	35, 43, 47
	9740100	CSU-211	12	23, 47
	9740101	CSU-212	9	17, 23, 47
	9740102	CSU-213	9	23, 47
	9740103	CSU-214	1	47, 61

CODE	MODEL	PACK	PAGE(S)
9740104	CSU-215	11	47
9740105	CSU-216	11	47
9740106	CSU-217	11	47
9740107	CSU-218	18	47
9740108	CSU-219	18	47
9740109	VIS-111	6	23, 48
9740110	VIS-112	5	15, 17, 23, 48
9740111	VIS-113	4	23, 48
9740112	VIS-114	1	48
9740113	VIS-115	1	48
9740114	VIS-116	5	48
9740115	VIS-117	9	48
9740116	VIS-118	9	48
9740117	VIS-119	9	48
9740118	VIS-121	4	48
9740119	VIS-122	6	48
9740120	VIS-123	1	48
9740121	VIS-124	1	48
9740122	VIS-125	8	48
9740123	VIS-126	8	48
9740124	VIS-127	4	48
9740125	VIS-128	4	48
9740126	VIS-129	4	48
9740127	VIS-131	5	48
9740128	VIS-132	3	48
9740129	VIS-133	3	48
9740130	VIS-134	4	48
9740131	VIS-135	4	48
9740132	VIS-136	4	48
9740133	VIS-137	4	48
9740134	VIS-138	4	48
9740135	VIS-139	4	48
9740136	VIS-211	6	48
9740137	VIS-212	4	15, 17, 48
9740138	VIS-213	4	48
9740139	VIS-214	4	48
9740140	VIS-215	3	48
9740141	VIS-216	1	48
9740142	VIS-217	3	48
9740143	VIS-218	4	48
9740144	VIS-219	4	48
9740145	VIS-221	3	48
9740146	VIS-222	4	48
9740147	VIS-223	2	48
9740148	VIS-224	2	48
9740149	VIS-225	6	48
9740150	VIS-226	6	48
9740151	VIS-227	3	48
9740152	VIS-228	3	48
9740153	VIS-229	3	48
9740154	VIS-231	3	48
9740155	VIS-232	3	48
9740156	VIS-233	2	48
9740157	VIS-234	2	48
9740158	VIS-235	3	48
9740159	VIS-236	3	48
9740160	VIS-237	3	48
9740161	VIS-238	3	48
9740162	VIS-239	3	48
9740163	CSU-311	6	36, 43, 47
9740164	CSU-312	12	36, 43, 47
9740165	CSU-313	9	36, 43, 47
9740166	CSU-314	9	36, 43, 47
9740167	CSU-315	6	36, 43, 47
9740168	CSU-316	6	36, 43, 47
9740169	CSU-317	6	36, 43, 47

CODE	MODEL	PACK	PAGE(S)
9740170	CSU-318	12	36, 43, 47
9740171	CSU-319	12	36, 43, 47
9740172	CSU-000	100	42, 47
9740186	CSU-511	18	42
9740187	CSU-512	9	15, 42
9740188	CSU-513	9	42
9740189	CSU-514	8	42
9740190	CSU-515	11	42
9740191	CSU-516	11	42
9740192	CSU-517	11	42
9740193	CSU-518	18	42
9740194	CSU-519	18	42
9740195	MAR-511	1	43
9740196	MAR-512	1	43
9740197	MAR-513	1	43
9740198	MAR-514	1	43
9740199	MAR-515	1	43
9740200	MAR-516	1	43
9740201	MAR-517	1	43
9740202	MAR-518	1	43
9740203	MAR-519	1	43
9740208	CEM-002	100	36, 42, 47
9740225	CEM-003	20	39
9740227	CME-020	40	8, 28
9740228	CMO-702	0	28
9740229	CMO-703	0	28
9740231	MAR-600	0	39
9740232	MAR-601	0	39
9740233	MAR-602	0	39
9740234	CSU-712	18	36
9740235	CSU-713	9	36
9740236	CSU-714	9	36
9740237	CSU-715	8	36
9740238	CSU-716	11	36
9740239	CSU-717	11	36
9740240	CSU-718	11	36
9740241	CSU-719	18	36
9740242	CSU-710	18	36
9740243	CMO-601	18	39
9740244	CMO-602	9	12, 13, 39
9740245	CMO-604	9	39
9740246	CMO-606	6	39
9740247	CMO-608	6	39
9740248	CMO-610	6	39
9740249	CMO-612	6	39
9740251	VIS-312	-	48
9740252	VIS-313	-	48
9740253	VIS-314	-	48
9740254	VIS-315	-	48
9740255	VIS-316	-	48
9740256	VIS-317	-	48
9740257	VIS-318	-	48
9740258	VIS-319	-	48
9740259	VIS-310	-	48
9740260	VIS-322	-	48
9740261	VIS-323	-	48
9740262	VIS-324	-	48
9740263	VIS-325	-	48
9740264	VIS-326	-	48
9740265	VIS-327	-	48
9740266	VIS-328	-	48
9740267	VIS-329	-	48
9740268	VIS-320	-	48
9740269	VIS-332	-	48
9740270	VIS-333	-	48
9740271	VIS-334	-	48

VIDEO DOOR
ENTRY KITS

AUDIO DOOR
ENTRY KITS

IPAL

2 WIRES

DIGITAL

4+N

IACCESS

EXAMPLES
OF ORDERS

DIMENSIONS &
ACCESSORIES

LISTS OF
PRODUCTS

LEGAL
NOTICE

CODE	MODEL	PACK	PAGE(S)
9740272	VIS-335	-	48
9740273	VIS-336	-	48
9740274	VIS-337	-	48
9740275	VIS-338	-	48
9740276	VIS-339	-	48
9740277	VIS-330	-	48
9740278	VIP-312	-	48
9740279	VIP-313	-	48
9740280	VIP-314	-	48
9740281	VIP-315	-	48
9740282	VIP-316	-	48
9740283	VIP-317	-	48
9740284	VIP-318	-	48
9740285	VIP-319	-	48
9740286	VIP-310	-	48
9740287	VIP-322	-	48
9740288	VIP-323	-	48
9740289	VIP-324	-	48
9740290	VIP-325	-	48
9740291	VIP-326	-	48
9740292	VIP-327	-	48
9740293	VIP-328	-	48
9740294	VIP-329	-	48
9740295	VIP-320	-	48
9740296	VIP-332	-	48
9740297	VIP-333	-	48
9740298	VIP-334	-	48
9740299	VIP-335	-	48
9740300	VIP-336	-	48
9740301	VIP-337	-	48
9740302	VIP-338	-	48
9740303	VIP-339	-	48
9740304	VIP-330	-	48
975	9750002	CAB-004	500 51
	9750005	CAB-007	500 9, 17, 21, 51, 65
	9750009	CAB-307	500 10, 11, 12, 13, 15, 51
	9750010	CAB-357	0 10, 11, 12, 13, 15, 51
977	9770052	RVE-017	30 51
	9770078	RVE-027	20 35
	9770079	RVE-028	20 35
	9770080	RVE-029	20 35
	9770083	RVE-032	20 44, 63, 69, 75
	9770084	RVE-033	20 35
979	9790000	MEC-100	40 29
	9790001	MEC-101	20 29
	9790002	MEC-102	20 29
	9790003	MEC-103	40 29
	9790004	MEC-300	36 29
	9790005	MEC-200	20 29
	9790006	MEC-000	40 29
	9790007	HAA-000	40 29
	9790008	HAA-001	29 29
	9790010	WSN-500	90 29
	9790011	WSN-200	1 29
	9790012	WSN-300	1 29
	9790013	WSN-400	1 29
	9790014	TER-000	100 29
980	9800002	PTN-00000	9 62
	9800006	PNK-00000	1 44, 63, 70, 75
	9800012	PAK-03020	1 61
	9800033	PAK-41000	1 62
	9800036	PDK-41500	9 62
	9800037	PAK-42000	1 62

CODE	MODEL	PACK	PAGE(S)
9800038	PAK-44000	9	62
9800041	PDK-42500	9	62
9800042	PDK-44500	9	62
9800071	PAK-61000	5	62
9800073	PTN-60000	5	62
9800077	PTN-50000	5	42
9800079	PAK-51010	5	42
9800082	PAK-54010	5	42
9800114	PNK-50000	5	41, 75
9800131	PLE-001	0	71
9800132	PLE-002	0	64
9800133	PLE-003	1	50
9800153	MLI-000	0	39
9800158	PDK-20002	1	28
9800160	PDP-20011	10	28
9800171	PDK-20003	0	28
9800194	PDK-54210	5	42
9800195	PDK-51210	5	42
9800227	PTS-63201	9	12, 13, 38
9800228	PTS-63202	9	38
9800229	PTS-63203	9	38
9800230	PTS-63204	9	38
9800231	PTS-63205	9	38
9800232	PTS-63206	9	38
9800233	PTS-63207	7	38
9800234	PTS-63208	7	38
9800235	PTS-63209	7	38
9800236	PTS-63210	7	38
9800237	PTD-63201	9	38
9800238	PTD-63202	9	38
9800239	PTD-63203	9	38
9800240	PTD-63204	9	38
9800241	PTD-63205	9	38
9800242	PTD-63206	9	38
9800243	PTD-63207	7	38
9800244	PTD-63208	7	38
9800245	PTD-63209	7	38
9800246	PTD-63210	7	38
9800247	PTD-63211	7	38
9800248	PTD-63212	7	38
9800249	PTS-64201	9	38
9800250	PTS-64202	9	38
9800251	PTS-64203	9	38
9800252	PTS-64204	9	38
9800253	PTS-64205	9	38
9800254	PTS-64206	9	38
9800255	PTS-64207	7	38
9800256	PTS-64208	7	38
9800257	PTS-64209	7	38
9800258	PTS-64210	7	38
9800259	PTD-64201	9	38
9800260	PTD-64202	9	38
9800261	PTD-64203	9	38
9800262	PTD-64204	9	38
9800263	PTD-64205	9	38
9800264	PTD-64206	9	38
9800265	PTD-64207	7	38
9800266	PTD-64208	7	38
9800267	PTD-64209	7	38
9800268	PTD-64210	7	38
9800269	PTD-64211	7	38
9800270	PTD-64212	7	38

Listado por modelo

	CODE	MODEL	PACK	PAGE(S)
A	AAL-001	9730005	18	71
	AAL-120	9730018	18	21, 60
	AAL-130	9730061	18	60, 68
	AAL-200	9730019	18	10, 11, 15, 17, 21, 23, 33, 60, 68
	AAL-210	9730020	18	68
	ABR-001	9730000	50	72
	ABR-002	9730001	50	72
	ABR-003	9730002	50	72
	ABR-004	9730003	50	72
	ABR-011	9730025	50	50, 65, 76
	ABR-013	9730007	50	50, 65, 76
	ABR-014	9730008	50	50, 65, 76
	ABR-015	9730062	50	8, 9, 10, 11, 12, 13, 15, 21, 50, 65, 76
	ABR-017	9730064	50	50, 65, 76
	ABR-018	9730065	50	50, 65, 76
	ABR-019	9730085	50	50, 65, 76
	ABR-021	9730087	50	50, 65, 72, 76
	AIB-001	9730055	18	65
	AIB-010	9730068	18	63, 64
	ALA-020	9620002	18	72
	ALA-040	9620001	18	17, 21, 50, 65, 72, 76
	ALC-030	9620016	20	76
	ALC-070	9620014	9	65
	ALC-290	9620023	20	30
	ALM-040	9620011	18	8, 9, 50, 65, 72, 76
	ALS-020	9650004	18	51
	APC-001	9730006	18	38, 43, 46, 64, 71
	APX-001	9730060	8	60, 68
	APX-011	9730072	24	33
	APX-013	9730097	20	15, 33, 38, 43, 46
	ASC-001	9730023	18	61, 64, 71
	ASC-050	9730021	18	9, 33, 38, 43, 46, 50, 60, 61, 64, 65, 68, 71, 72, 76
	ASC-051	9730057	18	33, 60, 64, 71
C	CAB-004	9750002	500	51
	CAB-007	9750005	500	9, 17, 21, 51, 65
	CAB-307	9750009	500	10, 11, 12, 13, 15, 51
	CAB-357	9750010	0	10, 11, 12, 13, 15, 51
	CCA-004	9690038	7	39, 41, 44, 63, 69, 75
	CCV-001	9730086	40	38, 43, 46
	CE-753	9100021	400	17, 65
	CEM-001	9740004	50	36, 42, 47, 64, 71
	CEM-002	9740208	100	36, 42, 47
	CEM-003	9740225	20	39
	CME-020	9740227	40	8, 28
	CMO-002	9740005	16	10, 11, 36, 42, 47, 64, 71
	CMO-004	9740006	12	15, 36, 42, 47, 64, 71
	CMO-006	9740007	16	36, 42, 47, 64, 71
	CMO-008	9740008	15	36, 42, 47, 61, 64, 71
	CMO-010	9740009	12	36, 42, 47, 64, 71
	CMO-012	9740010	12	36, 42, 47, 64, 71
	CMO-014	9740011	12	36, 42, 47, 64, 71
	CMO-016	9740012	12	36, 42, 47, 64, 71
	CMO-018	9740015	20	36, 42, 47, 64, 71
	CMO-601	9740243	18	39
	CMO-602	9740244	9	12, 13, 39
	CMO-604	9740245	9	39

	CODE	MODEL	PACK	PAGE(S)
	CMO-606	9740246	6	39
	CMO-608	9740247	6	39
	CMO-610	9740248	6	39
	CMO-612	9740249	6	39
	CMO-702	9740228	0	28
	CMO-703	9740229	0	28
	CNP-001	9730004	50	50, 65, 72, 76
	COL-000	9730030	18	63, 64
	COV-200	9680025	0	30
	CSU-000	9740172	100	42, 47
	CSU-211	9740100	12	23, 47
	CSU-212	9740101	9	17, 23, 47
	CSU-213	9740102	9	23, 47
	CSU-214	9740103	1	47, 61
	CSU-215	9740104	11	47
	CSU-216	9740105	11	47
	CSU-217	9740106	11	47
	CSU-218	9740107	18	47
	CSU-219	9740108	18	47
	CSU-311	9740163	6	36, 43, 47
	CSU-312	9740164	12	36, 43, 47
	CSU-313	9740165	9	36, 43, 47
	CSU-314	9740166	9	36, 43, 47
	CSU-315	9740167	6	36, 43, 47
	CSU-316	9740168	6	36, 43, 47
	CSU-317	9740169	6	36, 43, 47
	CSU-318	9740170	12	36, 43, 47
	CSU-319	9740171	12	36, 43, 47
	CSU-511	9740186	18	42
	CSU-512	9740187	9	15, 42
	CSU-513	9740188	9	42
	CSU-514	9740189	8	42
	CSU-515	9740190	11	42
	CSU-516	9740191	11	42
	CSU-517	9740192	11	42
	CSU-518	9740193	18	42
	CSU-519	9740194	18	42
	CSU-710	9740242	18	36
	CSU-712	9740234	18	36
	CSU-713	9740235	9	36
	CSU-714	9740236	9	36
	CSU-715	9740237	8	36
	CSU-716	9740238	11	36
	CSU-717	9740239	11	36
	CSU-718	9740240	11	36
	CSU-719	9740241	18	36
	CUT-010	9710030	0	35
D	DIV-024	9730031	75	65
	DIV-041	9730084	17	51
	DIV-061	9730079	30	51
	DIV-064	9730080	18	51
	DIV-124	9730032	75	65
	DIV-152	9730082	12	10, 11, 12, 13, 15, 51
	DIV-154	9730071	12	51
	DIV-261	9730098	30	33, 51
	DIV-304	9730100	18	30
	DIV-308	9730101	12	30
	DIV-324	9730099	6	30

	CODE	MODEL	PACK	PAGE(S)
	DIV-464	9730102	18	51
E	ESC-010	9730033	0	50, 65, 72, 76
F	FRA-002	9710002	12	10, 11, 34
	FRA-003	9710003	12	34
	FRA-004	9710004	15	34
	FRA-005	9710005	15	34
	FRA-006	9710006	15	34
	FRA-007	9710007	32	34
	FRA-008	9710008	32	34
	FRA-009	9710009	32	34
	FRA-010	9710010	32	34
G	GCI-001	9650001	9	65, 68, 72
	GCO-001	9650025	7	51
H	HAA-000	9790007	40	29
	HAA-001	9790008	29	29
	HST-002	9730106	0	35
K	KAD-41002	9700041	6	22
	KAD-41021	9700047	6	22
	KAD-47001	9700107	6	20
	KAD-67001	9700119	6	20
	KAS-41003	9700038	6	22
	KAS-41021	9700046	14	22
	KAS-47021	9700131	10	20
	KAS-67001	9700118	6	20
	KIP-00300	9720163	1	8
	KMC-12800	9630083	6	9
	KPR-001	9690039	1	75
	KVD-47201	9720107	4	16
	KVD-47501	9720109	4	16
	KVS-31221	9720165	6	9
	KVS-47201	9720047	6	16
	KVS-47501	9720108	6	16
	KVS-54021	9720166	6	14
	KVS-54121	9720167	6	14
	KVS-54221	9720168	6	15
	KVS-55121	9720169	6	10
	KVS-55321	9720170	0	11
	KVS-56121	9720171	0	12
	KVS-56321	9720172	0	13
L	LAC-000	9690001	40	36, 75
	LAC-001	9690002	40	36, 75
	LAC-002	9690003	40	36, 75
	LAC-003	9690004	40	36, 75
	LAC-004	9690005	40	36, 75
	LAC-005	9690006	40	36, 75
	LAC-006	9690012	40	36, 75
	LAC-007	9690013	40	36, 75
	LAC-008	9690014	40	36, 75
	LAC-009	9690015	40	36, 75
	LAC-010	9690016	40	36, 75
	LAC-011	9690017	40	36, 75
	LAC-020	9690018	40	8, 9, 28, 36, 75
	LAC-200	9690040	40	36, 75
	LPR-010	9690035	8	39, 75
	LPR-200	9690034	11	44, 63, 69
	LPR-500	9690030	20	41
	LPR-900	9690033	12	41, 75
M	MAE-001	9730035	10	33, 60
	MAE-002	9730036	10	33, 60
	MAE-101	9730092	10	33, 60, 68
	MAE-102	9730093	10	33, 60, 68
	MAE-401	9730104	37	33
	MAE-402	9730105	26	33
	MAE-900	9730034	8	33, 60
	MAE-902	9730091	0	33, 60, 68

	CODE	MODEL	PACK	PAGE(S)
	MAG-000	9710015	18	34
	MAG-011	9710014	18	34
	MAG-021	9710016	18	34
	MAN-410	9670115	12	69
	MAN-420	9670182	1	44
	MAN-430	9670116	11	69
	MAN-441	9670118	11	69
	MAN-451	9670119	12	69
	MAN-470	9670144	11	63
	MAN-500	9670164	7	15, 41
	MAN-501	9670168	7	41
	MAN-502	9670200	7	41
	MAN-503	9670201	7	41
	MAR-511	9740195	1	43
	MAR-512	9740196	1	43
	MAR-513	9740197	1	43
	MAR-514	9740198	1	43
	MAR-515	9740199	1	43
	MAR-516	9740200	1	43
	MAR-517	9740201	1	43
	MAR-518	9740202	1	43
	MAR-519	9740203	1	43
	MAR-600	9740231	0	39
	MAR-601	9740232	0	39
	MAR-602	9740233	0	39
	MAR-900	9740047	1	35, 43, 47
	MAR-901	9740016	1	35, 43, 47
	MAR-902	9740017	1	35, 43, 47
	MCC-002	9680015	12	61
	MCG-000	9710027	7	35
	MCN-470	9670146	9	63
	MCO-300	9630080	40	28
	MCP-000	9710026	20	35
	MDN-422	9670194	1	44
	MDN-423	9670198	1	44
	MDN-472	9670153	9	63
	MDT-422	9670195	9	44
	MDT-423	9670199	9	44
	MDT-472	9670154	9	63
	MEC-000	9790006	40	29
	MEC-100	9790000	40	29
	MEC-101	9790001	20	29
	MEC-102	9790002	20	29
	MEC-103	9790003	40	29
	MEC-200	9790005	20	29
	MEC-300	9790004	36	29
	MKD-900	9660016	7	63, 70
	MLI-000	9800153	0	39
	MLN-000	9670021	12	44, 63, 69
	MLN-500	9670166	20	41
	MLP-000	9710025	20	35, 36
	MLT-000	9670086	9	44, 63
	MMN-410	9670126	9	69
	MMN-420	9670189	1	44
	MMN-430	9670128	1	69
	MMN-441	9670137	9	69
	MMN-451	9670127	1	69
	MMN-470	9670145	1	63
	MPD-001	9660048	11	63, 70
	MPD-002	9660049	1	63, 70
	MPD-003	9660050	1	63, 70
	MPD-004	9660051	1	63, 70
	MPD-005	9660052	1	63, 70
	MPD-006	9660053	1	63, 70
	MPD-007	9660054	1	63, 70

CODE	MODEL	PACK	PAGE(S)
MPD-008	9660055	1	63, 70
MPD-009	9660056	9	63, 70
MPD-010	9660057	9	63, 70
MPD-011	9660058	7	63, 70
MPD-012	9660059	7	63, 70
MPD-013	9660060	7	63, 70
MPD-014	9660061	1	63, 70
MPD-015	9660062	1	63, 70
MPD-016	9660063	7	63, 70
MPD-101	9660171	12	45
MPD-102	9660151	11	45
MPD-103	9660152	9	45
MPD-104	9660153	9	45
MPD-105	9660154	1	45
MPD-106	9660155	9	45
MPD-107	9660172	9	45
MPD-108	9660156	9	45
MPD-109	9660173	9	45
MPD-110	9660157	9	45
MPD-111	9660174	7	45
MPD-112	9660175	7	45
MPD-113	9660176	7	45
MPD-114	9660177	7	45
MPD-115	9660178	1	45
MPD-116	9660179	7	45
MPD-900	9660064	9	63, 70
MPD-901	9660065	7	63, 70
MPD-902	9660158	9	46
MPD-903	9660159	7	46
MPG-013	9710021	7	34
MPG-014	9710022	7	34
MPG-023	9710023	7	34
MPG-024	9710024	7	34
MPP-011	9710017	20	34
MPP-012	9710019	20	34
MPP-021	9710018	20	34
MPP-022	9710020	20	34
MPS-001	9660014	12	63, 70
MPS-002	9660015	11	63, 70
MPS-003	9660000	1	63, 70
MPS-004	9660001	1	63, 70
MPS-005	9660002	1	63, 70
MPS-006	9660003	1	63, 70
MPS-007	9660004	1	63, 70
MPS-008	9660005	1	63, 70
MPS-009	9660006	9	63, 70
MPS-010	9660007	9	63, 70
MPS-011	9660008	7	63, 70
MPS-012	9660009	7	63, 70
MPS-013	9660010	7	63, 70
MPS-014	9660011	7	63, 70
MPS-015	9660012	7	63, 70
MPS-016	9660013	7	63, 70
MPS-101	9660146	11	45
MPS-102	9660147	11	45
MPS-103	9660160	9	45
MPS-104	9660148	1	45
MPS-105	9660161	9	45
MPS-106	9660149	9	45
MPS-107	9660162	9	45
MPS-108	9660150	9	45
MPS-109	9660163	9	45
MPS-110	9660164	9	45
MPS-111	9660165	7	45
MPS-112	9660166	7	45

CODE	MODEL	PACK	PAGE(S)
MPS-113	9660167	7	45
MPS-114	9660168	7	45
MPS-115	9660169	7	45
MPS-116	9660170	7	45
MTG-000	9710029	7	35
MTN-000	9670018	11	44, 63, 69
MTN-500	9670165	20	41
MTP-000	9710028	20	35
MVC-002	9630008	12	17, 60
MVC-017	9630085	14	32
MVC-018	9630086	14	32
MVC-141	9630087	12	32
MVC-151	9630084	10	32
MVC-152	9630088	10	32
MVC-230	9630074	0	8, 28
MVC-231	9630090	0	28
MVC-250	9630078	8	28
MVG-000	9710012	18	34
MVG-011	9710011	18	10, 11, 34
MVG-021	9710013	18	34
MVN-302	9670045	11	63
MVN-409	9670197	12	44
MVN-509	9670192	20	15, 41
MVN-905	9670107	9	63
MVN-909	9670193	12	41
MVN-922	9670196	1	44
MVN-961	9670203	8	39
P PAK-03020	9800012	1	61
PAK-41000	9800033	1	62
PAK-42000	9800037	1	62
PAK-44000	9800038	9	62
PAK-51010	9800079	5	42
PAK-54010	9800082	5	42
PAK-61000	9800071	5	62
PDK-20002	9800158	1	28
PDK-20003	9800171	0	28
PDK-41500	9800036	9	62
PDK-42500	9800041	9	62
PDK-44500	9800042	9	62
PDK-51210	9800195	5	42
PDK-54210	9800194	5	42
PDP-20011	9800160	10	28
PLE-001	9800131	0	71
PLE-002	9800132	0	64
PLE-003	9800133	1	50
PLO-000	9690010	7	36, 75
PNK-00000	9800006	1	44, 63, 70, 75
PNK-50000	9800114	5	41, 75
PPA-002	9730103	0	38, 43, 46, 50, 64, 65, 71, 72, 76
PPD-52101	9660098	1	40
PPD-52102	9660099	1	40
PPD-52103	9660100	1	40
PPD-52104	9660101	1	40
PPD-52105	9660102	1	40
PPD-52106	9660103	1	40
PPD-52107	9660104	1	40
PPD-52108	9660105	1	40
PPD-52109	9660106	1	40
PPD-52110	9660107	1	40
PPD-52111	9660108	1	40
PPD-52112	9660109	1	40
PPD-52113	9660110	1	40
PPD-52114	9660111	1	40
PPD-52115	9660112	1	40
PPD-52116	9660113	1	40

VIDEO DOOR
ENTRY KITS

AUDIO DOOR
ENTRY KITS

IPAL

2 WIRES

DIGITAL

4+N

iACCESS

EXAMPLES
OF ORDERS

DIMENSIONS &
ACCESSORIES

LISTS OF
PRODUCTS

LEGAL
NOTICE

CODE	MODEL	PACK	PAGE(S)
PPD-52201	9660114	1	40
PPD-52202	9660115	1	40
PPD-52203	9660116	1	40
PPD-52204	9660117	1	40
PPD-52205	9660118	1	40
PPD-52206	9660119	1	40
PPD-52207	9660120	1	40
PPD-52208	9660121	1	40
PPD-52209	9660122	1	40
PPD-52210	9660123	1	40
PPD-52211	9660124	1	40
PPD-52212	9660125	1	40
PPD-52213	9660126	1	40
PPD-52214	9660127	1	40
PPD-52215	9660128	1	40
PPD-52216	9660129	1	40
PPD-52900	9660130	1	41
PPD-52901	9660131	1	41
PPD-52902	9660132	1	41
PPD-52903	9660133	32	41
PPD-52904	9660134	15	41
PPD-52905	9660135	32	41
PPS-52101	9660066	1	40
PPS-52102	9660067	1	40
PPS-52103	9660068	1	40
PPS-52104	9660069	1	40
PPS-52105	9660070	1	40
PPS-52106	9660071	1	40
PPS-52107	9660072	1	40
PPS-52108	9660073	1	40
PPS-52109	9660074	1	40
PPS-52110	9660075	1	40
PPS-52111	9660076	1	40
PPS-52112	9660077	1	40
PPS-52113	9660078	1	40
PPS-52114	9660079	1	40
PPS-52115	9660080	1	40
PPS-52116	9660081	1	40
PPS-52201	9660082	1	15, 40
PPS-52202	9660083	1	40
PPS-52203	9660084	1	40
PPS-52204	9660085	1	40
PPS-52205	9660086	1	40
PPS-52206	9660087	1	40
PPS-52207	9660088	1	40
PPS-52208	9660089	1	40
PPS-52209	9660090	1	40
PPS-52210	9660091	1	40
PPS-52211	9660092	1	40
PPS-52212	9660093	1	40
PPS-52213	9660094	1	40
PPS-52214	9660095	1	40
PPS-52215	9660096	1	40
PPS-52216	9660097	1	40
PTD-63201	9800237	9	38
PTD-63202	9800238	9	38
PTD-63203	9800239	9	38
PTD-63204	9800240	9	38
PTD-63205	9800241	9	38
PTD-63206	9800242	9	38
PTD-63207	9800243	7	38
PTD-63208	9800244	7	38
PTD-63209	9800245	7	38
PTD-63210	9800246	7	38

CODE	MODEL	PACK	PAGE(S)
PTD-63211	9800247	7	38
PTD-63212	9800248	7	38
PTD-64201	9800259	9	38
PTD-64202	9800260	9	38
PTD-64203	9800261	9	38
PTD-64204	9800262	9	38
PTD-64205	9800263	9	38
PTD-64206	9800264	9	38
PTD-64207	9800265	7	38
PTD-64208	9800266	7	38
PTD-64209	9800267	7	38
PTD-64210	9800268	7	38
PTD-64211	9800269	7	38
PTD-64212	9800270	7	38
PTN-00000	9800002	9	62
PTN-50000	9800077	5	42
PTN-60000	9800073	5	62
PTS-63201	9800227	9	12, 13, 38
PTS-63202	9800228	9	38
PTS-63203	9800229	9	38
PTS-63204	9800230	9	38
PTS-63205	9800231	9	38
PTS-63206	9800232	9	38
PTS-63207	9800233	7	38
PTS-63208	9800234	7	38
PTS-63209	9800235	7	38
PTS-63210	9800236	7	38
PTS-64201	9800249	9	38
PTS-64202	9800250	9	38
PTS-64203	9800251	9	38
PTS-64204	9800252	9	38
PTS-64205	9800253	9	38
PTS-64206	9800254	9	38
PTS-64207	9800255	7	38
PTS-64208	9800256	7	38
PTS-64209	9800257	7	38
PTS-64210	9800258	7	38
R REG-050	9650013	17	51
REG-053	9650021	12	51
REG-054	9650022	12	51
RVE-017	9770052	30	51
RVE-027	9770078	20	35
RVE-028	9770079	20	35
RVE-029	9770080	20	35
RVE-032	9770083	20	44, 63, 69, 75
RVE-033	9770084	20	35
S SCC-030	9680016	11	61
SCM-030	9630004	11	17, 60
SCM-040	9630005	11	17
SCM-051	9630031	11	32
SSC-001	9730054	4	61
SSC-002	9730056	4	61
SSM-001	9730049	8	33, 60
SST-001	9730029	8	33, 60, 68
T TCA-100	9300065	305	8, 17
TCD-001	9680008	20	61
TED-001	9600007	20	21, 60
TED-002	9600010	20	17, 60
TEL-001	9600001	20	68
TEL-002	9600009	20	68
TEL-004	9600039	20	68
TEL-101	9600018	20	68
TER-000	9790014	100	29
TES-001	9600003	20	68

CODE	MODEL	PACK	PAGE(S)
TET-002	9600034	20	32
TET-004	9600036	20	32
TET-302	9600042	20	32
TIN-001	9600014	20	68
TOP-100	9740001	100	47
TUN-001	9600002	20	68
TUN-002	9600011	20	68
TUN-101	9600013	20	68
TUN-201	9600040	20	68
V VEN-003	9730076	1	50, 65, 72, 76
VEN-005	9730077	1	50, 65, 72, 76
VIP-310	9740286	-	48
VIP-312	9740278	-	48
VIP-313	9740279	-	48
VIP-314	9740280	-	48
VIP-315	9740281	-	48
VIP-316	9740282	-	48
VIP-317	9740283	-	48
VIP-318	9740284	-	48
VIP-319	9740285	-	48
VIP-320	9740295	-	48
VIP-322	9740287	-	48
VIP-323	9740288	-	48
VIP-324	9740289	-	48
VIP-325	9740290	-	48
VIP-326	9740291	-	48
VIP-327	9740292	-	48
VIP-328	9740293	-	48
VIP-329	9740294	-	48
VIP-330	9740304	-	48
VIP-332	9740296	-	48
VIP-333	9740297	-	48
VIP-334	9740298	-	48
VIP-335	9740299	-	48
VIP-336	9740300	-	48
VIP-337	9740301	-	48
VIP-338	9740302	-	48
VIP-339	9740303	-	48
VIS-111	9740109	6	23, 48
VIS-112	9740110	5	15, 17, 23, 48
VIS-113	9740111	4	23, 48
VIS-114	9740112	1	48
VIS-115	9740113	1	48
VIS-116	9740114	5	48
VIS-117	9740115	9	48
VIS-118	9740116	9	48
VIS-119	9740117	9	48
VIS-121	9740118	4	48
VIS-122	9740119	6	48
VIS-123	9740120	1	48
VIS-124	9740121	1	48
VIS-125	9740122	8	48
VIS-126	9740123	8	48
VIS-127	9740124	4	48
VIS-128	9740125	4	48
VIS-129	9740126	4	48
VIS-131	9740127	5	48
VIS-132	9740128	3	48
VIS-133	9740129	3	48
VIS-134	9740130	4	48
VIS-135	9740131	4	48
VIS-136	9740132	4	48

CODE	MODEL	PACK	PAGE(S)
VIS-137	9740133	4	48
VIS-138	9740134	4	48
VIS-139	9740135	4	48
VIS-211	9740136	6	48
VIS-212	9740137	4	15, 17, 48
VIS-213	9740138	4	48
VIS-214	9740139	4	48
VIS-215	9740140	3	48
VIS-216	9740141	1	48
VIS-217	9740142	3	48
VIS-218	9740143	4	48
VIS-219	9740144	4	48
VIS-221	9740145	3	48
VIS-222	9740146	4	48
VIS-223	9740147	2	48
VIS-224	9740148	2	48
VIS-225	9740149	6	48
VIS-226	9740150	6	48
VIS-227	9740151	3	48
VIS-228	9740152	3	48
VIS-229	9740153	3	48
VIS-231	9740154	3	48
VIS-232	9740155	3	48
VIS-233	9740156	2	48
VIS-234	9740157	2	48
VIS-235	9740158	3	48
VIS-236	9740159	3	48
VIS-237	9740160	3	48
VIS-238	9740161	3	48
VIS-239	9740162	3	48
VIS-310	9740259	-	48
VIS-312	9740251	-	48
VIS-313	9740252	-	48
VIS-314	9740253	-	48
VIS-315	9740254	-	48
VIS-316	9740255	-	48
VIS-317	9740256	-	48
VIS-318	9740257	-	48
VIS-319	9740258	-	48
VIS-320	9740268	-	48
VIS-322	9740260	-	48
VIS-323	9740261	-	48
VIS-324	9740262	-	48
VIS-325	9740263	-	48
VIS-326	9740264	-	48
VIS-327	9740265	-	48
VIS-328	9740266	-	48
VIS-329	9740267	-	48
VIS-330	9740277	-	48
VIS-332	9740269	-	48
VIS-333	9740270	-	48
VIS-334	9740271	-	48
VIS-335	9740272	-	48
VIS-336	9740273	-	48
VIS-337	9740274	-	48
VIS-338	9740275	-	48
VIS-339	9740276	-	48
W WSN-200	9790011	1	29
WSN-300	9790012	1	29
WSN-400	9790013	1	29
WSN-500	9790010	90	29

VIDEO DOOR
ENTRY KITS

AUDIO DOOR
ENTRY KITS

IPAL

2 WIRES

DIGITAL

4+H

IACCESS

EXAMPLES
OF ORDERS

DIMENSIONS &
ACCESSORIES

LISTS OF
PRODUCTS

LEGAL
NOTICE

LEGAL NOTICE

General terms of trade

The acceptance of orders by ALCAD Electronics S.L. implies the acceptance of the following general terms of trade. These terms take priority over the conditions of purchase that may figure on client order forms or other documents.

1. PRICES

Our unit prices are Ex Works Irún. The price that will be applied is the current price in the country of sale at the date of receipt of order. Orders accepted by our agents are only formalised following our confirmation.

2. TRANSPORT

Transportation costs will be paid for by the client. The risks of transport and problems that could occur during transportation will be at the expense of the client, even when the goods are shipped free delivered. The client will adopt the necessary measures with the transport company the moment the goods are received and will have to confirm by registered letter the event of any loss or damage caused to the goods, and send a copy of the same letter to the shipping agent.

3. DELIVERY TIMES, DELIVERIES, RETURNS AND COMPLAINTS

ALCAD Electronics, S.L. will only accept orders that are confirmed in writing. Delivery times are only indicative and the delays that may occur cannot be held as a reason to refuse the acceptance of the material or as a cause for compensation.

ALCAD Electronics, S.L. reserves the right to organise the delivery of the goods in one or several shipments, and to invoice the goods in accordance with the agreed terms. No return of material will be allowed without the express prior authorisation of ALCAD Electronics, S.L. In the event that the return of the material is accepted, the goods must be in perfect working condition and in their original packing and sent to us carriage-paid with a photocopy of the authorisation of the return and the initial invoice.

Any complaint regarding the delivered material must be made within the 8 days that follow the reception of the goods.

4. GUARANTEE

The material is guaranteed for two years following the date of the invoice for the ALCAD Electronics, S.L. products to the end client and will be validated by the presentation of the purchase document of the product in question.

The guarantee is strictly limited to the replacement of the materials supplied by ALCAD Electronics, S.L., and does not cover any damage or breakdowns due to misuse, in-

correct installation, or prohibited manipulation or handling of the materials, carried out by the client before returning the goods to ALCAD Electronics, S.L.

This guarantee does not imply any liability on part of ALCAD Electronics, S.L. for compensation or damages whatsoever.

5. TERMS AND CONDITIONS OF PAYMENT

Each of the agreed terms and conditions of payment will be negotiated with the client and confirmed in writing. Any delay in the agreed date of payment could be cause for an additional invoice to cover the costs of delay and damages.

6. RESERVE OF OWNERSHIP CLAUSE

ALCAD Electronics, S.L. reserves the rights to full ownership of the goods until the purchaser has totally satisfied the full payment of the agreed price. The purchaser is obliged to make every effort to preserve and maintain the goods in perfect order and to cover the goods with a fully comprehensive insurance policy. Should the purchaser fail to satisfy any of their obligations, ALCAD Electronics, S.L. may exercise its rights of ownership and withdraw the goods or demand the fulfilment of the obligation of payment.

7. COMPETENT JURISDICTION

For any question relating to the fulfilment or interpretation of the contract or its incidence, the parties, with the express renunciation of any other body or authority that may correspond to them, agree to submit any dispute to the competence of the courts and tribunals in the jurisdiction of our registered head office.

8. CONCERNING THIS DOCUMENT

The revisions of the designs and the manufacturing processes may obligate Alcad Electronics S.L. to modify some values and specifications of the products. Due to this fact, the technical data included in this Short Form Catalogue are indicative values, as well as the pictures and any drawing or scheme included.

Alcad Electronics S.L. reserves the right to introduce in their products without any previous notice the modifications considered necessary, this not being prejudicial to their main features. Any data or value considered transcendental when placing an order will have to be previously verified by the purchaser, contacting ALCAD Electronics S.L.

The item codes are subject to changes without previous notice.

This Short Form Catalogue cancels and replaces all the previous ones.



COLOURS

as you had never seen before

Our new **ACTIVE VIEW** camera for 2-WIRE system offers astonishing quality, even in backlight conditions, glare and sudden changes in brightness thanks to its WDR function.



USOA
entrance panels



ALOI
entrance panels



iBLACK
entrance panels



Enara 4.3"
monitor



Enara 7"
monitor



3.5" colour
monitor

Its color and image sharpness are so incredible that it will be difficult to stop looking.

NEW ENTRANCE PANELS AND MONITORS
WITH ACTIVE VIEW TECHNOLOGY



Coming soon

ENARA 7" WI-FI MONITOR



Its Wi-Fi module will allow you to go online and manage calls remotely from your mobile, using a free APP for Android or iOS.

Main features:

- Surface mount.
- 2 auxiliary buttons.
- Integrated cascade diverter.
- Pluggable connection terminals.
- Languages: English, French, Spanish, Italian, Portuguese, Turkish and Czech.

MULTIMEDIA-TV

Reception and distribution of TV signals

DOOR ENTRY SYSTEMS

Video and audio intercom | Access control
Home automation



And for your
Multimedia-TV
needs, check out
our specific
short form
catalogue



Fondo Europeo de Desarrollo Regional
Una manera de hacer Europa



www.alcadelectronics.com

ALCAD Electronics, S.L.
Pol. Ind. Arreche-Ugalde, 1
Apdo. 455
20305 IRUN - Spain
Tel. (+34) 943 63 96 60
info@alcad.net



FRANCE - Hendaye
Tel. (+34) 943 63 96 60
CZECH REPUBLIC - Ostrovacice
Tel. (+420) 546 427 059
UNITED ARAB EMIRATES - Dubai
Tel. (+971) 4 214 61 40
TURKEY - Istanbul
Tel. (+90) 212 295 97 00