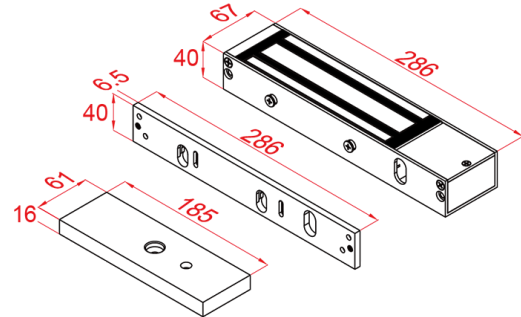


MAGNETIC LOCKS - Surface Mounted ML SERIES 1500P

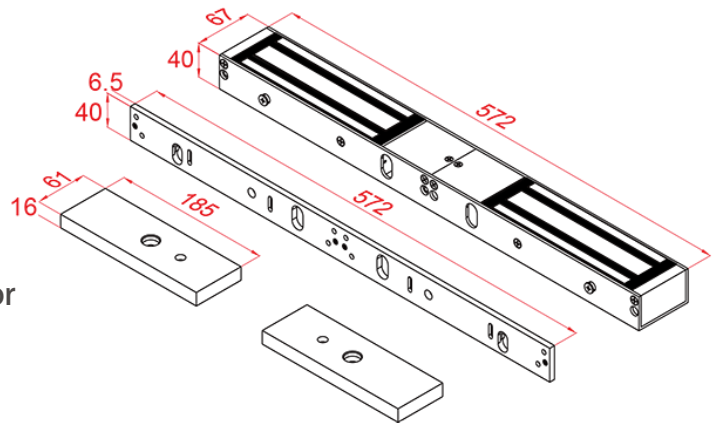
MAGNETIC LOCKS



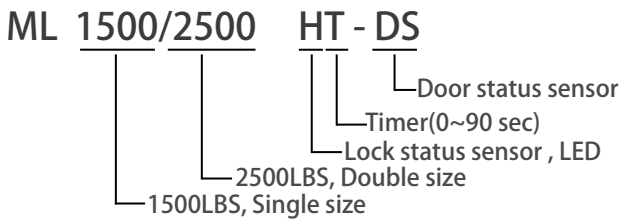
- Magnet (ML1500) : 286L*73.5W*40D mm
- Armature Plate : 185L*61W*16T mm



- Magnet (ML2500) : 572L*73.5W*40D mm



ORDERING INFORMATION



EXAMPLE :

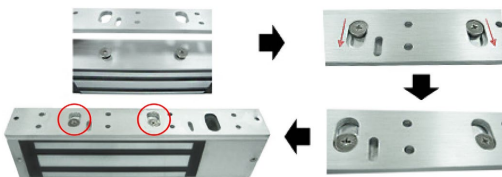
- ML1500H : Maglock 1500P, W/Lock status sensor
- ML2500HT : Maglock 1500P*2 W/Lock status sensor, Timer

SPECIFICATION

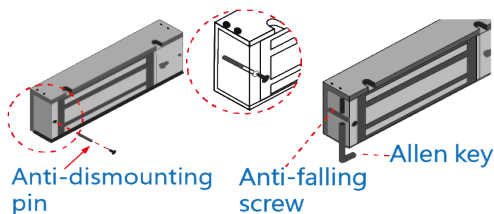
- Voltage : 12V/24VDC (Selectable)
- Current Draw : 600mA/12V , 300mA /24V
- Holding Force : about 1500LBS
- Built-in voltage spike suppressor ,With Bi-color LED
- Special Finish : Zinc (on the magnet & armature plate)
- Anodized aluminum housing
- Adjustable mounting plate for easy and appropriate installation

FEATURES

- Horizontal or vertical installation
- Special mounting plate for fast, effort-saving, and simple installation



- Anti-dismounting and Anti-falling function



BRACKETS INSTALLATION



B286 - Adjustable L Bracket



B1500 - L&Z Bracket



U-185 Bracket



Double size



B1004 / B1005