

FLEXIDOME IP panoramic 7000 MP

www.boschsecurity.com



BOSCH
Invented for life



- ▶ 12MP / 30 fps sensor for fine details with smooth motion
- ▶ Edge or client-side dewarping for easy integration
- ▶ Intelligent Video Analysis on full panoramic overview
- ▶ Discreet and aesthetic, low-profile design
- ▶ Easy twist-click installation

The FLEXIDOME IP panoramic 7000 MP is a discreet, aesthetic, low-profile camera for indoor use. The 12MP sensor operating at 30 fps provides full panoramic surveillance with complete area coverage, fine details and high speeds. The camera offers full situational awareness and simultaneous E-PTZ views in high resolution.

Lens versions

The 360° version of the camera, when mounted centrally on a ceiling, gives complete wall-to-wall coverage. The 180° version has a higher effective resolution and is ideal for wall mounting or for ceiling mounting in corridors.

Dewarping

The lens captures a circular image. Our dewarping software transforms this circular image into several different distortion-free rectangular views. To facilitate system integration, you can choose edge dewarping inside the camera or client-side dewarping on an external platform.

The freely available Video Security Client from Bosch provides advanced client-side dewarping features.

System overview

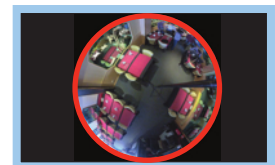
Advantages of panoramic surveillance

Panoramic surveillance offers full 180° or 360° coverage of the designated area. Because our panoramic cameras cover the full area, they provide complete situational awareness and are ideally suited to following movement in one continuous sweep.

180°



360°



These panoramic cameras will considerably augment the functionality of any high-end surveillance system especially when coupled with IVA (Intelligent Video Analysis), for example, for people counting or complex rule-based alarm triggering.

IVA continuously monitors the full image circle so you still receive alarms even if you are zoomed-in on a particular region.

Functions

12MP sensor at 30 fps

The ultra high 12MP sensor resolution together with the exceptionally high frame rate of 30 fps makes this camera unique in the field of panoramic image capture. Motion is smoother and the E-PTZ feature provides more detailed images.

The effective resolution for the 180° version is 8MP and for the 360° version 7MP.

Panoramic vision and Intelligent Video Analysis

The IVA version of the camera uses the latest generation of the Bosch Intelligent Video Analysis (IVA) software. IVA combined with full panoramic vision produces an extremely powerful surveillance tool which enriches full situational awareness. With intelligent tracking, movement can be followed continuously throughout the full image circle. There is no need to hand off tracking from one camera to another, greatly simplifying movement analysis. The system reliably detects, tracks, and analyzes objects, and alerts you when predefined alarms are triggered. A smart set of IVA rules makes complex tasks easy and reduces false alarms to a minimum. IVA also adds sense and structure to your video by adding metadata. Metadata is generated from the full image circle and also separately on the E-PTZ channel. This enables you to quickly retrieve the relevant images from hours of stored video. Metadata can also be used to deliver irrefutable forensic evidence or to optimize business processes based on people counting or crowd density information.

MOTION+

The MOTION+ video motion analysis system that is built into all camera versions is the perfect solution for applications where basic video content analysis features are required. MOTION+ shows motion metadata in an overlay display. By using MOTION+ data as input, smarter imaging algorithms bring improved image quality and more efficient bitrates. It also enables extended tamper detection capabilities.

Client-side dewarping

With client-side dewarping, the camera streams a single circular non-dewarped image at 30 fps. Dewarping is performed with our dewarping software that is installed on the PC where multiple view modes are available or you can choose to use a third-party client-side dewarping software solution.

Edge dewarping

The edge dewarping in the camera provides three separate video channels simultaneously at 12.5 fps:

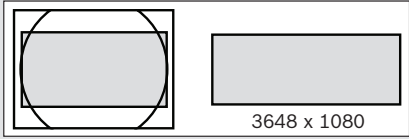
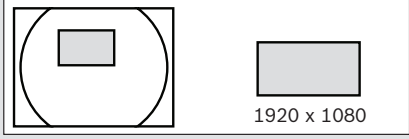
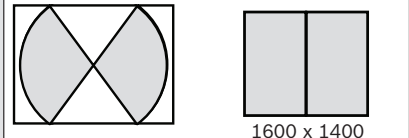
- Full image circle (Video 1 channel)
- Dewarped view mode (Video 2 channel)
- E-PTZ (Video 3 channel)

Different view modes can be selected for the video 2 channel. Your selection depends on the resolution you require and how you wish to view the dewarped image.

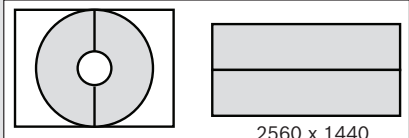
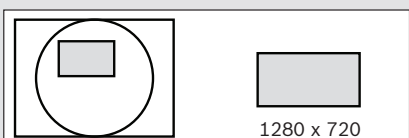
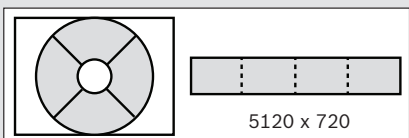
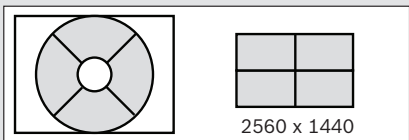
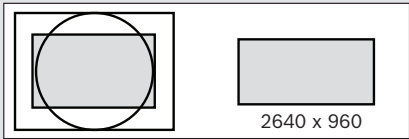
View modes

The following view modes can be selected at 12.5 fps with edge dewarping or 30 fps with our client side dewarping.

With the 180° lens version, you can select one of the following view modes for the second channel:

| 180° lens version | Full image cut-out and displayed image |
|-------------------|---|
| Panoramic view |  3648 x 1080 |
| E-PTZ view |  1920 x 1080 |
| Corridor view |  1600 x 1400 |

With the 360° lens version, select one of the following view modes for the second channel:

| 360° lens version | Full image cut-out and displayed image |
|--|---|
| Double panoramic view |  2560 x 1440 |
| E-PTZ view |  1280 x 720 |
| North, South, East, West view (client-side only) |  5120 x 720 |
| Quad view |  2560 x 1440 |
| Panorama view |  2640 x 960 |

DORI coverage

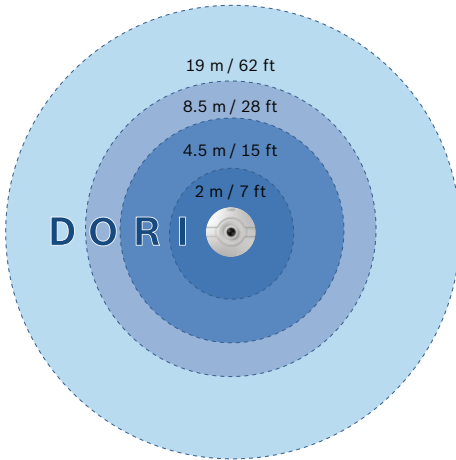
DORI (Detect, Observe, Recognize, Identify) is a standard system (EN-62676-4) for defining the ability of a camera to distinguish persons or objects within a covered area. The maximum distance at which a camera/lens combination can meet these criteria is shown below:

For high mounting applications, the center image DORI values are:

| DORI | Object distance – 180° | Object distance - 360° |
|-----------|------------------------|------------------------|
| Detect | 55 m (181 ft) | 42 m (138 ft) |
| Observe | 22 m (72 ft) | 16.5 m (54 ft) |
| Recognize | 10.5 m (35 ft) | 8.5 m (28 ft) |
| Identify | 5.5 m (18 ft) | 4 m (13 ft) |

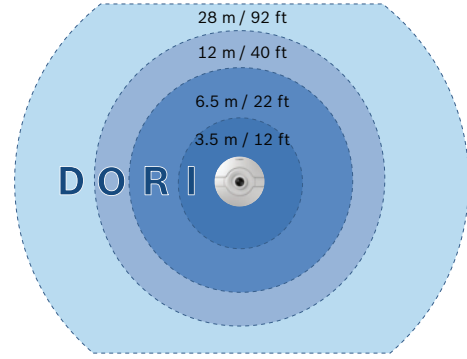
When mounted at a height of 3 m (10 ft) the 360° version of the camera has the following coverage radius for the four levels:

| DORI | DORI definition | Coverage radius |
|-----------|---------------------|-----------------|
| Detect | 25 px/m (8 px/ft) | 19 m (62 ft) |
| Observe | 63 px/m (19 px/ft) | 8.5 m (28 ft) |
| Recognize | 125 px/m (38 px/ft) | 4.5 m (15 ft) |
| Identify | 250 px/m (76 px/ft) | 2 m (7 ft) |



When mounted at a height of 3 m (10 ft) the 180° version of the camera has the following coverage radius for the four levels:

| DORI | DORI definition | Coverage radius |
|-----------|---------------------|-----------------|
| Detect | 25 px/m (8 px/ft) | 28 m (92 ft) |
| Observe | 63 px/m (19 px/ft) | 12 m (40 ft) |
| Recognize | 125 px/m (38 px/ft) | 6.5 m (22 ft) |
| Identify | 250 px/m (76 px/ft) | 3.5 m (12 ft) |



E-PTZ and regions of interest

The remote E-PTZ (Electronic Pan, Tilt and Zoom) controls allow you to select specific areas of the full image circle. These Regions of Interest (ROI) can be easily defined, allowing the most interesting part of a scene to be monitored separately. The high resolution ensures that details are not lost even when using the electronic zoom.

The E-PTZ feature of a panoramic camera has some advantages over normal PTZ cameras. There is no camera movement so the camera does not draw attention to itself or appear intrusive. Situational awareness is still retained even when zooming in on a particular object of interest. The smooth E-PTZ function helps navigation, and presets are available as they are with regular PTZ cameras.

Record exactly what you want

The camera provides the full resolution circular image for recording even if you are viewing only a portion of the scene. This means that you can always perform retrospective dewarping and analyses on the complete area covered and then zoom in on the region or object of interest.

With edge-dewarping you can also choose to only record the relevant parts of the scene which helps reduce bitrates significantly.

Intelligent Dynamic Noise Reduction

Quiet scenes with little or no movement require a lower bitrate. By intelligently distinguishing between noise and relevant information, Intelligent Dynamic Noise Reduction reduces bitrate by up to 50%.

Because noise is reduced at the source during image capture, the lower bitrate does not compromise on video quality.

Intelligent Dynamic Noise Reduction adjusts spatial and temporal filtering (3DNR) based on intelligent analysis of the scene content. Motion compensated temporal filtering (MCTF) reduces motion blur normally associated with standard temporal filtering. This maintains image quality of fast moving objects while still optimizing bitrate.

Area-based encoding

Area-based encoding is another feature which reduces bandwidth. Compression parameters for up to eight user-definable regions can be set. This allows uninteresting regions to be highly compressed, leaving more bandwidth for important parts of the scene. Area-based encoding is only available with client-side dewarping.

Bitrate optimized profile

The average typical optimized bandwidth in kbits/s for various image rates is shown in the table:

| fps | 12MP (full image circle) | Dewarped ROI (720p) |
|------|--------------------------|---------------------|
| 30 | 6000 | - |
| 25 | 5678 | - |
| 20 | 5285 | - |
| 15 | 4777 | - |
| 12.5 | 4456 | 855 |
| 10 | 4062 | 750 |
| 5 | 2839 | 550 |
| 2 | 1223 | 237 |

Measured dynamic range

The dynamic range of the camera is outstanding and is obvious in real-world performance comparisons – 92 dB wide dynamic range (plus an extra 16 dB when combined with Intelligent Auto Exposure).

The actual dynamic range of the camera is measured using Opto-Electronic Conversion Function (OECF) analysis with a standardized test chart based on ISO standards. This method provides more realistic and verifiable results in comparison with the theoretical approximations sometimes used.

Priority exposure control

To optimize image quality, eight zones for measuring the exposure can be drawn on the full image circle and assigned a priority level. These zones are given a higher or lower priority when the camera calculates the exposure level. This ensures that the important areas of the scene have the ideal exposure level.

Intelligent Auto Exposure

Fluctuations in backlight and front light can ruin your images. To achieve the perfect picture in every situation, Intelligent Auto Exposure automatically adjusts the exposure of the camera. It offers superb front light compensation and incredible backlight compensation by automatically adapting to changing light conditions.

Intelligent Auto Exposure is only available in camera versions with Intelligent Video Analysis

Built-in microphone and audio alarm

The camera has a built-in microphone to allow operators to listen in on the monitored area. Audio detection can be used to generate an alarm if needed. If required by local laws, the microphone can be permanently blocked via a secure license key.

Unobtrusive design and easy installation

The low profile of the camera makes it exceedingly suitable for installations where aesthetics are important. Its unobtrusive nature allows it to fit in with architectural features without detracting from the surroundings. Museums, historic buildings or impeccably designed interiors will all benefit from the discreet design.

The camera is easily mounted to any surface using a twist-click mechanism via the supplied mounting ring. The high quality IR corrected lens is factory focused and is not restricted by a bubble, so installation is simplified and sharpness is assured.

The LED indicators, reset button and SD card slot are easily accessed via two hinges at the front of the camera. A complete set of indoor mounting accessories, such as a surface mount box or a pendant pipe mount, are available.

Power for the camera is supplied via a Power-over-Ethernet compliant network cable connection. With this configuration, only a single cable connection is required to view, power, and control the camera.

Scene modes

The camera has a very intuitive user interface that allows fast and easy configuration. Nine configurable modes are provided with the best settings for a variety of applications. Different scene modes can be selected for day or night situations.

Storage management

Recording management can be controlled by the Bosch Video Recording Manager (VRM) or the camera can use iSCSI targets directly without any recording software.

Edge recording

Insert a memory card into the card slot to store up to 2 TB of local alarm recording. Pre-alarm recording in RAM reduces recording bandwidth on the network, and extends the effective life of the memory card.

Cloud-based services

The camera supports time-based or alarm-based JPEG posting to four different accounts. These accounts can address FTP servers or cloud-based storage facilities (for example, Dropbox). Video clips or JPEG images can also be exported to these accounts.

Alarms can be set up to trigger an e-mail or SMS notification so you are always aware of abnormal events.

Access security

Password protection with three levels and 802.1x authentication is supported. To secure Web browser access, use HTTPS with a SSL certificate stored in the camera. The video and audio communication channels can be independently AES encrypted with 128-bit keys by installing the optional encryption site license.

Complete viewing software

There are many ways to access the camera's features: using a web browser, with the Bosch Video Management System, with the free-of-charge Bosch Video Client or Video Security Client, with the video security mobile app, or via third-party software. The Video Security Client has extensive dewarping capabilities and can be used for client-side dewarping as well as for viewing the available modes.

System integration

The camera conforms to the ONVIF Profile S specification. Compliance with this standard guarantees interoperability between network video products regardless of manufacturer. Third-party integrators can easily access the internal feature set of the camera for integration into large projects. Visit the Bosch Integration Partner Program (IPP) website (ipp.boschsecurity.com) for more information.

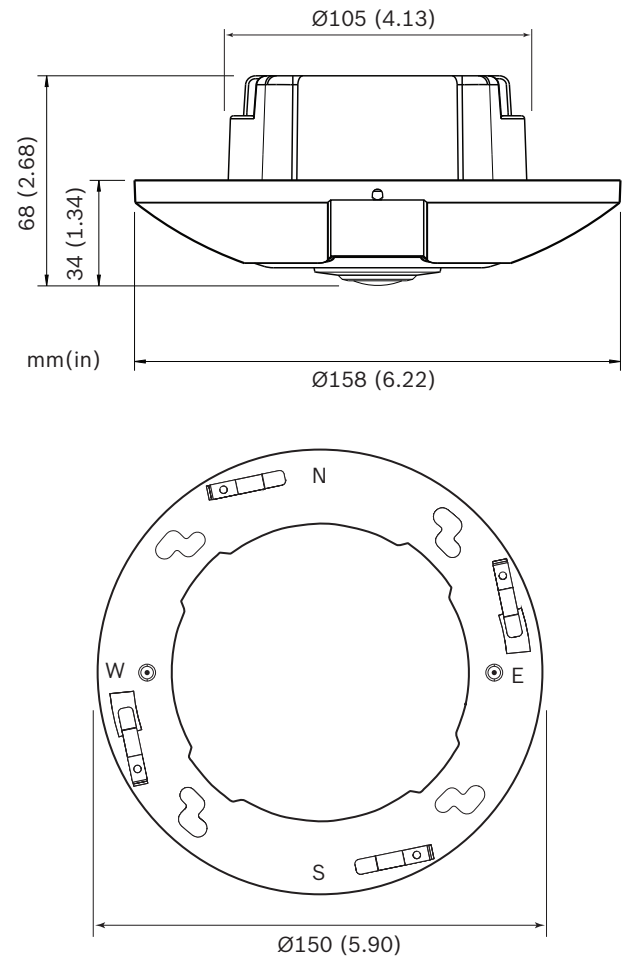
Certifications and approvals

| Standards | |
|---------------------|--|
| Conformity | 2004/108/EC (EMC) ; 2006/95/EC (LVD) ; 2011/65/EU |
| Emission | EN 55022: 2010, +AC (2011); CFR 47 FCC part 15:2012-10-1, Class B; AS/NZS CISPR 22:2009 + A1 (2010) |
| Immunity | EN 50121-4:2006, +AC:2008; EN 50130-4:2011* |
| Safety | EN 60950-1:2006, +A11:2009, +A1:2010, +A12:2011, AC:2011; UL 60950-1, 2nd edition:2011; CAN/CSA-C 22.2 No. 60950-1-07, 2nd edition |
| Environmental tests | EN 50130-5:2011, Class II (Indoor in general, fixed equipment), Alarm systems - Part 5: Environmental test methods |
| Environmental | EN 50581 (2012) |
| Marks | CE, cULus, WEEE, RCM and China RoHS |

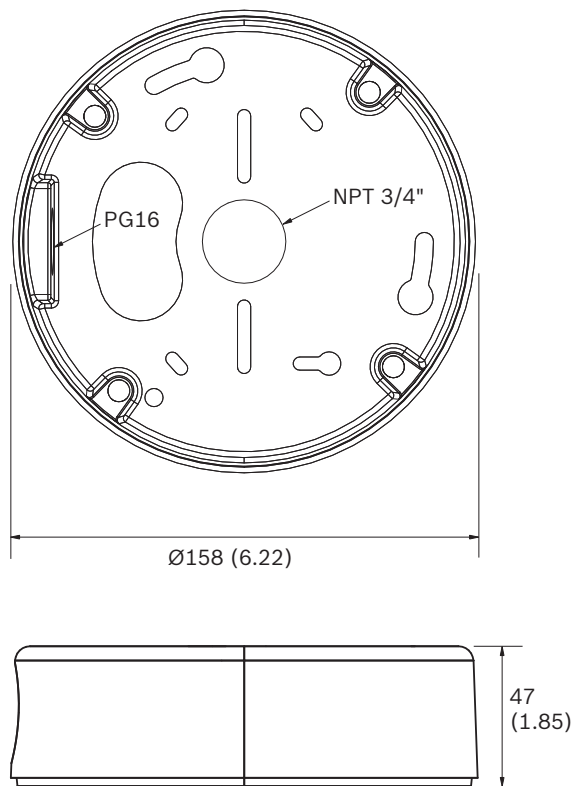
* All systems where this camera is used must comply with this standard as well.

Installation/configuration notes

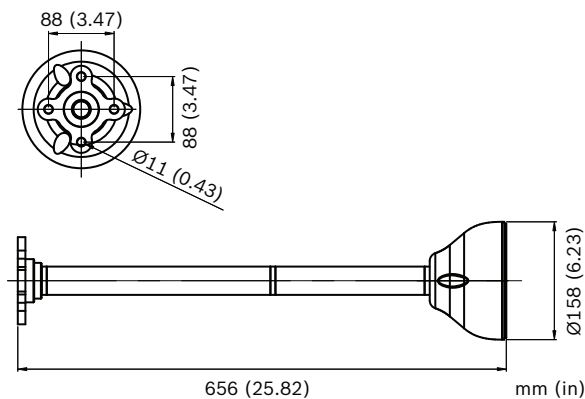
Camera dimensions



Surface mount box dimensions



Pendant mount dimensions



Parts included

The packaging contains:

- FLEXIDOME IP panoramic 7000 MP camera
- Quick install instructions
- Identification labels
- Mounting ring
- 2 x Allen keys (T10 and 1.5)
- 4 x screws (4.5 x 40)
- 4 x plugs
- 2 x washers (M4 x 14) for mounting to 4s box
- Surface Mount Box with four M5 screws (delivered separately with SMB versions of the camera)

Technical specifications

| | | |
|---|--|-------------|
| Power | | |
| Power Supply | Power-over-Ethernet 48 VDC nominal | |
| Power Consumption | 140 mA 200 mA (IVA version) | |
| PoE | IEEE 802.3af (802.3at Type 1) | |
| Sensor | | |
| Type | 1/2.3-inch CMOS | |
| Total sensor pixels | 12MP | |
| Used pixels (180° version) | 3648 x 2160 (8MP) | |
| Used pixels (360° version) | 2640 x 2640 (7MP) | |
| Video performance – Sensitivity – 360° lens (3100K, reflectivity 89%, F2.8, 30IRE) | | |
| Color | 0.55 lx | |
| Mono | 0.18 lx | |
| Video performance – Sensitivity – 180° lens (3100K, reflectivity 89%, F2.8, 30IRE) | | |
| Color | 0.46 lx | |
| Mono | 0.15 lx | |
| Video performance – Dynamic range | | |
| Dynamic range | 92 dB WDR (92+16 dB with intelligent AE) | |
| Video streaming | | |
| Video compression | H.264 (MP); M-JPEG | |
| Streaming | Multiple configurable streams in H.264 and M-JPEG, configurable frame rate and bandwidth. Multiple channels with edge dewarping. Regions of Interest (ROI) | |
| Overall IP Delay | Min. 120 ms, Max. 340 ms | |
| Encoding interval | 1 to 25 [30] ips | |
| Encoder regions | Eight independent areas for setting encoder quality to optimize bitrate. | |
| Video resolution (H x V) – 180° version | | |
| Video 1 channel | Image circle | 3640 x 2160 |
| Video 2 channel | Panoramic | 3648 x 1080 |
| | E-PTZ | 1920 x 1080 |

| Video resolution (H x V) – 180° version | | |
|---|--|-------------|
| | Corridor | 1600 x 1400 |
| Video 3 channel | E-PTZ | 1280 x 720 |
| Video resolution (H x V) – 360° version | | |
| Video 1 channel | Full image circle | 2640 x 2640 |
| Video 2 channel | Double panoramic | 2560 x 1440 |
| | E-PTZ | 1280 x 720 |
| | Quad | 2560 x 1440 |
| | Panoramic | 2640 x 960 |
| Video 3 channel | E-PTZ | 1280 x 720 |
| Video functions | | |
| Day/Night | Color, Monochrome, Auto (adjustable switchover points) | |
| Adjustable picture settings | Contrast, Saturation, Brightness | |
| White Balance | 2500 to 10000K, 4 automatic modes (Basic, Standard, Sodium vapor, Dominant color), Manual mode and Hold mode | |
| Shutter | Automatic Electronic Shutter (AES) Fixed (1/30 [1/25] to 1/15000) selectable Default shutter | |
| Shutter | Automatic Electronic Shutter (AES) Fixed selectable Default shutter | |
| Sharpness | Sharpness enhancement level selectable | |
| Backlight compensation | Off / On / Intelligent Auto Exposure (BLC) | |
| Contrast enhancement | On/off | |
| Noise reduction | Intelligent Dynamic Noise Reduction with separate temporal and spatial adjustments | |
| Intelligent defog | Intelligent Defog automatically adjusts parameters for best picture in foggy or misty scenes (switchable) | |
| Exposure region | Multiple selectable regions | |
| Privacy Masking | Eight independent areas, fully programmable | |
| Video Motion Analysis | MOTION+ or Intelligent Video Analysis | |
| Pre-positions | Six independent sectors | |
| Display stamping | Individual names and stamps for all video channels | |
| Other functions | Pixel counter, Video watermarking, Location | |

| Optical | |
|------------------------------|---|
| Lens (180° version) | 2.1 mm fixed-focus lens (IR corrected), F2.8 |
| Lens (360° version) | 1.6 mm fixed-focus lens (IR corrected), F2.8 |
| Lens mount | Board mounted |
| Iris control | Fixed iris |
| Field of view (180° version) | 180° (H) x 93° (V) |
| Field of view (360° version) | 180° (H) x 180° (V) |
| Minimum object distance | 0.1 m |
| Day/Night | Switched mechanical IR filter |
| Audio | |
| Audio input | Integrated microphone (can be permanently disabled) |
| Audio streaming | |
| Standard | G.711, 8 kHz sampling rate L16, 16 kHz sampling rate AAC-LC, 48 kbps at 16 kHz sampling rate AAC-LC, 80 kbps at 16 kHz sampling rate |
| Signal-to-Noise Ratio | >50 dB |
| Audio Streaming | Full-duplex / half duplex |
| Local storage | |
| Internal RAM | 10 s pre-alarm recording |
| Memory card slot | Supports up to 32 GB SDHC / 2 TB SDXC card. (An SD card of Class 6 or higher is recommended for HD recording) |
| Recording | Continuous recording, ring recording, alarm/events/schedule recording |
| Software | |
| Unit discovery | IP Helper |
| Unit configuration | Via web browser or Configuration Manager |
| Firmware update | Remotely programmable |
| Software viewing | Web browser; Video Security Client; Video Security App; Bosch Video Management System; Bosch Video Client; or third party software |
| Latest firmware and software | http://downloadstore.boschsecurity.com/ |

| Network | |
|-----------------------|--|
| Protocols | IPv4, IPv6, UDP, TCP, HTTP, HTTPS, RTP/RTCP, IGMP V2/V3, ICMP, ICMPv6, RTSP, FTP, Telnet, ARP, DHCP, APIPA (Auto-IP, link local address), NTP (SNTP), SNMP (V1, MIB-II), 802.1x, DNS, DNSv6, DDNS (DynDNS.org, selfHOST.de, no-ip.com), SMTP, iSCSI, UPnP (SSDP), DiffServ (QoS), LLDP, SOAP, Dropbox, CHAP, digest authentication |
| Encryption | TLS 1.0, SSL, DES, 3DES |
| Ethernet | 10/100 Base-T, auto-sensing, half/full duplex |
| Connectivity | Auto-MDIX |
| Interoperability | ONVIF Profile S; GB/T 28181 |
| Mechanical | |
| Dimensions | 158 x 33 mm (6.22 x 1.30 in) |
| Weight | 445 g (0.98 lb) |
| Environmental | |
| Operating Temperature | -20°C to +40°C (-4°F to 104°F) |
| Storage Temperature | -20°C to +60°C (-4°F to 140°F) |
| Operating humidity | 20% to 93% RH |
| Storage humidity | up to 98% RH |
| Vandal resistance | IK06 (Lens: IK04) |

Ordering information

FLEXIDOME IP panoramic 7000 MP

High-performance 12MP sensor low-profile camera for intelligent panoramic surveillance. 12MP sensor; PoE; IDNR; ROI; day/night; H.264 multiple streams; free viewing Apps; cloud services; edge dewarping; MOTION+; 180° lens
Order number **NIN-70122-F1**

FLEXIDOME IP panoramic 7000 MP

High-performance 12MP sensor low-profile camera for intelligent panoramic surveillance. 12MP sensor; PoE; IDNR; ROI; day/night; H.264 multiple streams; free viewing Apps; cloud services; edge dewarping; MOTION+ ; 360° lens
Order number **NIN-70122-F0**

FLEXIDOME IP panoramic 7000 MP

High-performance 12MP sensor low-profile camera for intelligent panoramic surveillance. 12MP sensor; PoE; IDNR; IAE; ROI; day/night; H.264 multiple streams; free viewing Apps; cloud services; edge dewarping; IVA; 180° lens
Order number **NIN-70122-F1A**

FLEXIDOME IP panoramic 7000 MP

High-performance 12MP sensor low-profile camera for intelligent panoramic surveillance. 12MP sensor; PoE; IDNR; IAE; ROI; day/night; H.264 multiple streams; free viewing Apps; cloud services; edge dewarping; IVA; 360° lens

Order number **NIN-70122-F0A**

FLEXIDOME IP panoramic 7000 MP

High-performance 12MP sensor low-profile camera for intelligent panoramic surveillance. 12MP sensor; PoE; IDNR; ROI; day/night; H.264 multiple streams; free viewing Apps; cloud services; edge dewarping; MOTION+; 180° lens, SMB

Order number **NIN-70122-F1S**

FLEXIDOME IP panoramic 7000 MP

High-performance 12MP sensor low-profile camera for intelligent panoramic surveillance. 12MP sensor; PoE; IDNR; ROI; day/night; H.264 multiple streams; free viewing Apps; cloud services; edge dewarping; MOTION+ ; 360° lens, SMB

Order number **NIN-70122-F0S**

FLEXIDOME IP panoramic 7000 MP

High-performance 12MP sensor low-profile camera for intelligent panoramic surveillance. 12MP sensor; PoE; IDNR; IAE; ROI; day/night; H.264 multiple streams; free viewing Apps; cloud services; edge dewarping; IVA; 180° lens, SMB

Order number **NIN-70122-F1AS**

FLEXIDOME IP panoramic 7000 MP

High-performance 12MP sensor low-profile camera for intelligent panoramic surveillance. 12MP sensor; PoE; IDNR; IAE; ROI; day/night; H.264 multiple streams; free viewing Apps; cloud services; edge dewarping; IVA; 360° lens, SMB

Order number **NIN-70122-F0AS**

Accessories

VDA-PLEN-DOME In-ceiling Housing for Plenums Kit

FLEXIDOME in-ceiling housing installation kit (plenum-rated) for various FLEXIDOME cameras
Order number **VDA-PLEN-DOME**

VDA-70112-SMB Surface Mount Box

Surface mount box for FLEXIDOME IP panoramic 7000 MP cameras
Order number **VDA-70112-SMB**

VDA-70112-PMT Pendant Pipe Mount Bracket

Pendant pipe mount bracket for FLEXIDOME IP panoramic 7000 MP cameras
Order number **VDA-70112-PMT**

Represented by:

Americas:

Bosch Security Systems, Inc.
130 Perinton Parkway
Fairport, New York, 14450, USA
Phone: +1 800 289 0096
Fax: +1 585 223 9180
security.sales@us.bosch.com
www.boschsecurity.us

Europe, Middle East, Africa:

Bosch Security Systems B.V.
P.O. Box 80002
5617 BA Eindhoven, The Netherlands
Phone: + 31 40 2577 284
Fax: +31 40 2577 330
emea.securitysystems@bosch.com
www.boschsecurity.com

Asia-Pacific:

Robert Bosch (SEA) Pte Ltd, Security
Systems
11 Bishan Street 21
Singapore 573943
Phone: +65 6571 2808
Fax: +65 6571 2699
apr.securitysystems@bosch.com
www.boschsecurity.asia

China:

Bosch (Shanghai) Security Systems Ltd.
203 Building, No. 333 Fuquan Road
North IBP
Changning District, Shanghai
200335 China
Phone +86 21 22181111
Fax: +86 21 22182398
www.boschsecurity.com.cn

America Latina:

Robert Bosch Ltda Security Systems Division
Via Anhanguera, Km 98
CEP 13065-900
Campinas, Sao Paulo, Brazil
Phone: +55 19 2103 2860
Fax: +55 19 2103 2862
latam.boschsecurity@bosch.com
www.boschsecurity.com