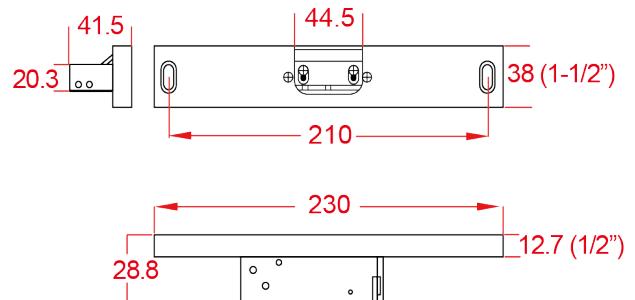


ELECTRIC STRIKES - SD3310 SERIES

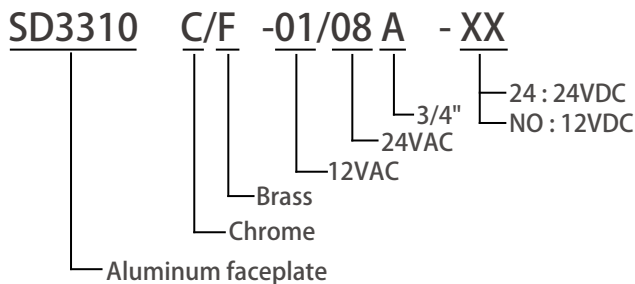


SD3310

- SD3310 : 230L*38W*41.5H mm
- SD3310 Aluminum faceplate : 230L*38W*12.7T mm



▼ ORDERING INFORMATION



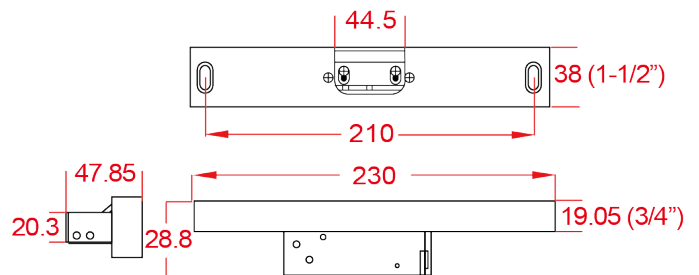
EXAMPLE :

- SD3310C-01 : 1/2" Aluminum faceplate (Chrome color) fail secure 12VAC
- SD3310C-01A : 3/4" Aluminum face plate (Chrome color) fail secure 12VAC
- SD3310F-08 : 1/2" Aluminum faceplate (Brass color) fail secure 24VAC

▼ SPECIFICATION

- Door Latch : 5/8" (15.8mm)
- Keeper Depth : 15.0 mm(Adjustable Keeper)
- Fail secure : 12VAC / 540mA
- Fail secure : 12VDC / 400mA(Specify on order)
- Fail secure : 24VAC / 308mA
- Fail secure : 24VDC / 200mA(Specify on order)
- Fail safe : 12VDC / 200mA(Specify on order)
- Fail safe : 24VDC / 100mA(Specify on order)

- SD3310-A : 230L*38W*47.85H mm
- SD3310-A Aluminum faceplate : 230L*38W*19.05T mm



▼ APPLICATION

