

SDF5450HD-DN

Fisheye

Ultra High Definition Camera, Fisheye, 360° Panoramic View, 12 MP Sensor, 8 MP/30, H.265, AI/VCA, Day/Night, PoE, Compact Surface Mount Housing



ONVIF | S



The SDF5450HD-DN Fisheye is a network camera with a fisheye lens specially designed for the image sensor and thus allows for the acquisition of a complete half-space with a 360° panoramic view. It is built into a compact surface mount housing and can be operated with an external power supply or with PoE Class 0.

8 megapixel resolution

The high resolution of the sensor in combination with state-of-the-art encoder technology and sophisticated image processing enable the recording of a complete half-space (half sphere) in excellent quality and with an 8 megapixel resolution at a frame rate of up to 25/30 fps. This makes the camera ideal for applications where detailed capturing of an entire room is required, without blind spots and in real time.

H.265 Support

The cameras are equipped with encoder technology that supports encoding of the video stream according to the H.265 standard. This allows the data rate to be reduced by up to 50% compared to H.264 with the same resolution and image quality. In conjunction with the latest Dallmeier recording systems, a significant reduction in network and storage utilization can be achieved.

Dewarped display

The dewarped display of the live image and recordings of an SDF5450HD-DN Fisheye is supported by every workstation in the SeMSy® Video Management System with a digital PTZ function. In smaller video security systems, the convenient evaluation with Dallmeier Client Software is the ideal option. In addition to a PTZ function, Dallmeier Client Software supports the display of a dewarped 360° panoramic view or two 180° views of the half-space.

Video Content Analysis

The integrated Video Content Analysis (VCA) detects movements and objects in the uncompressed image and analyzes them in real-time (depending on the analysis resolution) with highly developed analysis functions such as Intrusion Detection or Line Crossing. The detected events can be used to trigger the recording of a Dallmeier recording system. Together with the detected objects and the corresponding metadata, they are stored in a database. This allows the targeted search and evaluation of the recordings by Dallmeier Client Software with the SmartFinder function.

AI support

The camera is equipped with encoder technology that enables Video Content Analysis supported by AI (Artificial Intelligence) functions based on neural networks in the camera. This provides a significantly more powerful object classification which finally allows an even more targeted evaluation of the recordings.

EdgeStorage

The camera is equipped with a RAM memory that is used by the EdgeStorage function to store the video stream in case of a network failure (e.g. Spanning Tree, Bursts). When the network is restored, the SmartBackfill function ensures fast transmission to the Dallmeier recording system. This stores the video stream with high speed and then continues to record the live stream seamlessly.

Further features

- Horizontal field of view 360°
- Vertical field of view 90°
- Panoramic view 360°
- Ambient light sensor and removable IR cut filter
- Automatic switching of presets for day and night
- Video compression H.264, H.265, MJPEG
- Functions for data protection and data security (GDPR-compliant)
- Dewarped display with Dallmeier Client Software and SeMSy®
- Power supply over PoE (Class 0)
- Compact surface mount housing

SDF5450HD-DN

Fisheye

Ultra High Definition Camera, Fisheye, 360° Panoramic View, 12 MP Sensor, 8 MP/30, H.265, AI/VCA, Day/Night, PoE, Compact Surface Mount Housing

Camera



007440

SDF5450HD-DN

Ultra High Definition Camera, Fisheye, 360° Panoramic View, 12 MP Sensor, 8 MP/30, H.265, AI/VCA, Day/Night, PoE, Compact Surface Mount Housing

Power Supply



004316

PoE Midspan 30 W

Midspan power supply unit, 1x Ethernet port, 10/100/1000Base-T, 802.3at, 802.3af, 30 W

Ultra High Definition Camera, Fisheye, 360° Panoramic View, 12 MP Sensor, 8 MP/30, H.265, AI/VCA, Day/Night, PoE, Compact Surface Mount Housing

Sensor	
Type	1/1.7" CMOS
Number of sensor pixels	12MP
Light sensitivity	< 0.05lux
Dynamic range	92 dB
Signal to noise ration	> 50 dB
Lens	
Type	Fisheye
Format	1/1.7"
Mount	Board Lens
Focal length	1.6 mm
Iris range	F2.8
Minimum object distance	0.5 mm
IR corrected	Yes
Horizontal field of view	360°
Vertical field of view	90°
Panoramic view	360°
Format and Encoding	
Video standard	SDTV (PAL/NTSC), HDTV (SMPTE 296M, SMPTE 274M)
Resolution (1:1)	8 MP (2880 × 2880) @ 25/30fps, 6 MP (2448 × 2448) @ 25/30fps, 4 MP (1984 × 1984) @ 25/30fps
Video compression	H.264, H.265, MJPEG
Frame rate	Up to 30 fps
Video bit rate	1–50 Mbps, CBR (constant bit rate), VBR (variable bit rate), with priority setting for image quality ¹⁾
Video streaming	Up to 3 streams with different settings simultaneously
Audio compression	G.711
Audio bit rate	64 kbps
Live streaming transmission method	Unicast, Multicast
Number of live streams / clients	Up to 5 streams with up to 16 Mbps simultaneously
Functions	
Day/Night switching	Ambient light sensing and removable IR cut filter (ICR), switching threshold level adjustable
Black-and-white mode	Automatic (at low light or in night mode), On, Off
Automatic Electronic Shutter	1/1 – 1/8000 s
Slow Shutter Limit	1/1 – 1/1000 s
Digital flip function	Horizontal, vertical or both axes
Digital Noise Reduction	3D-DNR (adjustable by 10 levels)
Exposure presets	Universal, Indoor, Outdoor, Casino, Low-Light, User-Defined (with automatic day/night switching)
Exposure compensation	-2 EV (Exposure Value) to + 2 EV (adjustable by 200 levels)
Exposure metering	Average metering (light information from entire scene), center-weighted average metering, spot metering
Brightness adjustment	Automatic (ALC), Manual
Gain control	Automatic (AGC) with adjustable Gain Limit
White balance	Auto: ATW (Auto Tracking White Balance), One-Push AWB (Automatic White Balance) Fixed: 2800K, 4000K, 5000K, 6500K and 7500K
Privacy Zone Masking	Hiding/masking of up to 16 protected areas (up to 100% of the entire image)
Alarm notification	Via DaVid protocol to PGuard advance, via E-Mail and FTP image upload in preparation
Alarm trigger	Application restart, EdgeStorage status
Video Content Analysis ²⁾	Intrusion Detection (detection of access to a defined area) Line Crossing (detection of a virtual line crossing) Tamper Detection (detection of manipulations on the camera) Object Classification (classification of objects with AI support) Face Detection (detection of faces) ³⁾

1) If the total available bit rate is not sufficient, not the image quality but the number of frames is adjusted.

2) Depending on the CPU load. Video content analysis is not available if more than 2 streams or bit rates > 16 Mbps are configured.

3) The function detects the presence of a face (Face Detection). The analysis of visible features and the link to person data (Face Recognition) are not supported.

Ultra High Definition Camera, Fisheye, 360° Panoramic View, 12 MP Sensor, 8 MP/30, H.265, AI/VCA, Day/Night, PoE, Compact Surface Mount Housing

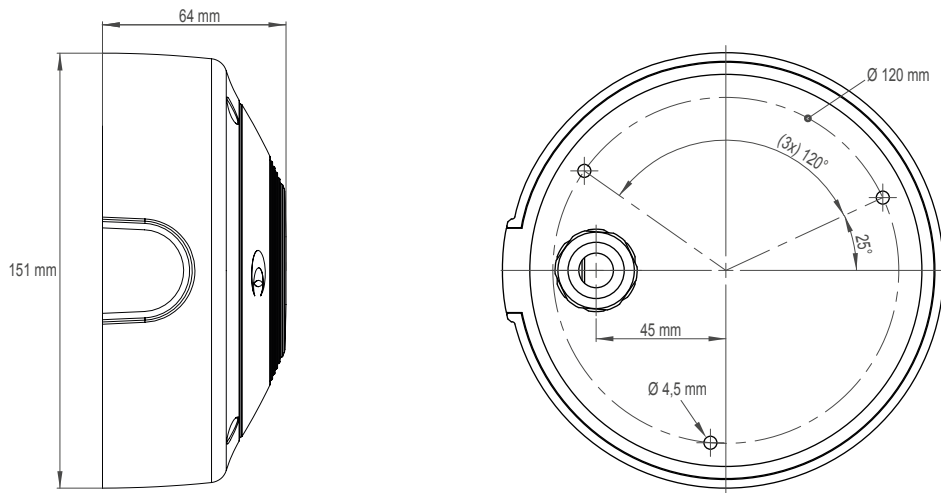
Protocols	
Ethernet protocols	IPv4 (ARP, ICMP, IGMPv2/IGMPv3), UDP, TCP, LLDP, CDP (v1,v2), DSCP (QoS), DNS, DHCP, NTP, HTTP/HTTPS ⁴⁾ , RTSP/RTP/RTCP, SNMP (v1, v2c, v3)
Ethernet protocols in preparation	IPv6 (NDP, ICMPv6, MLDv1/MLDv2, SLAAC, RDNSS), UDPv6, TCPv6, DNSv6, DHCPv6, LDAP
Communication protocols	DaVid, DaVidS, ONVIF Profile S, SNMP (v1, v2c, v3)
Security	HTTPS ⁴⁾ encryption, SSL/TLS ⁴⁾ 1.2 (AES), network access control according to IEEE 802.1X ⁴⁾
Connections	
Video preview output	1x HDMI micro connector (type D), 1080p (1920 x 1080) @ 25/30 fps (16:9) ⁵⁾
Audio Line IN	1x 3.5 mm phone jack for stereo plug Input level: max. 2.83 V _{p-p} Input impedance: 29 kΩ
Audio Line OUT	1x 3.5 mm phone jack for stereo plug Output level at 10 kΩ load: max. 3.11 V _{p-p} Output impedance: 320 Ω
Ethernet	1x RJ45, 10BASE-T-/100BASE-TX PoE
Power IN	1x Weidmüller male connector SL 3.50/02/90G (mating connector Weidmüller BL 3.50/02/180 SN)
Electrical Data	
Voltage supply	24 V DC PoE (Class 0)
PoE standard	IEEE 802.3af
Power consumption	Max. 12 W (8 W typically)
Mechanical Data	
Dimensions	Approx. Ø 151 x H 64mm
Weight	Approx. 500g
Construction material	Aluminum
Color	White
IP rating	IP54
Environmental Conditions	
Operating temperature	-20°C to +50°C (-4°F to 122°F)
Relative humidity	0%–90% RH, non-condensing
Miscellaneous	
Ambient light sensor	Integrated
Local memory	50 MB RAM memory
Memory extension	microSDXC 32/64 GB, Class 10, UHS-I (optional)
Configuration and live video	Via web browser (all major platforms)
Languages	German, English
Programming interface	Open platform for integration into 3rd party systems using API
ONVIF compliance	Profile S
GDPR compliance	Supported
Approvals/Certifications	
Type	CE, FCC, UL, DIN EN 50130-4 compliant

4) This product includes software developed by the OpenSSL Project for use in the OpenSSL Toolkit (<http://www.openssl.org>) and cryptographic software written by Eric Young (eay@cryptsoft.com).
5) When using an HDMI cable longer than 50 cm, the use of a signal amplifier is recommended.

SDF5450HD-DN

Fisheye

Ultra High Definition Camera, Fisheye, 360° Panoramic View, 12 MP Sensor, 8 MP/30, H.265, AI/VCA, Day/Night, PoE, Compact Surface Mount Housing



Dallmeier electronic GmbH & Co.KG | Bahnhofstr. 16, 93047 Regensburg, Germany | +49 941 8700-0 | dallmeier.com

All trademarks identified by * are registered trademarks of Dallmeier electronic GmbH & Co.KG.

Third-party trademarks are named for information purposes only. Dallmeier electronic respects the intellectual property of third parties and always attempts to ensure the complete identification of third-party trademarks and indication of the respective holder of rights. In case that protected rights are not indicated separately, this circumstance is no reason to assume that the respective trademark is unprotected.

Specifications subject to change without notice. Errors and misprints excepted. Pictures may differ from the actual product.



See more.