

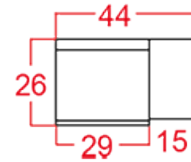
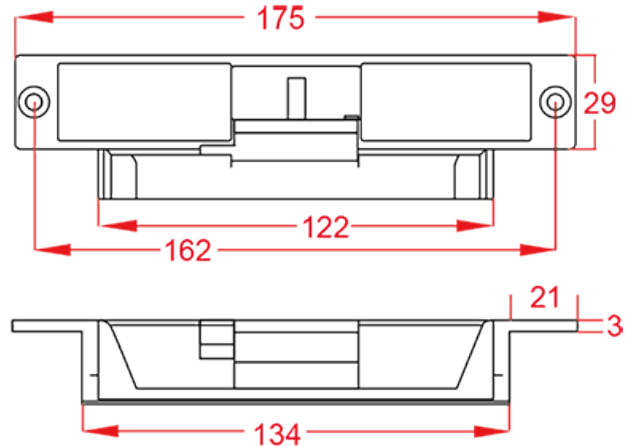
### ELECTRIC STRIKES - ST1304 SERIES

ELECTRIC STRIKES

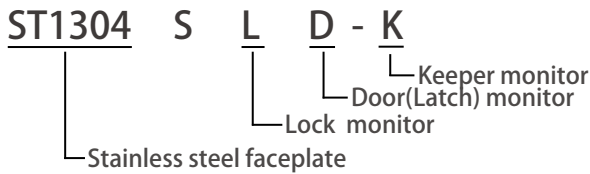


ST1304SLD  
(PANTENTED)

- ST1304SLD : 175L\*29W\*26H mm



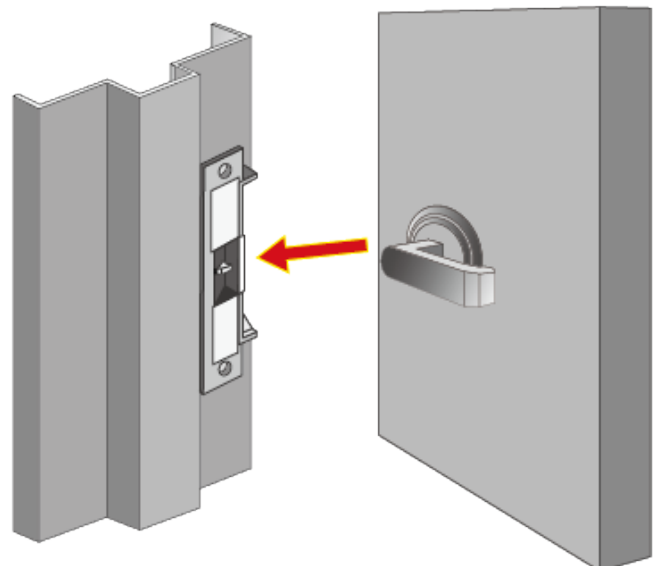
#### ▼ ORDERING INFORMATION



EXAMPLE :

- ST1304SLD : Stainless steel faceplate fail-secure W/Lock and Door monitor
- ST1304SLD-K : Stainless steel faceplate fail-secure W/Lock, Door and Keeper monitor

#### ▼ APPLICATION



#### ▼ SPECIFICATION

- Voltage(current): 12VDC(280mA)/ 24VDC(140mA)
- Mode: fail-safe/ fail-secure (default)
- Holding force : 1500 lbs
- Output :
  - Lock sensor (optional)
  - Keeper sensor (optional)
  - Door sensor (fixed)