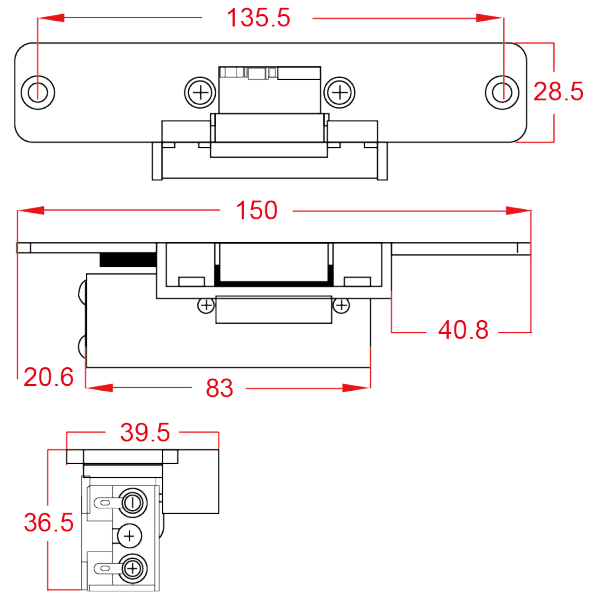


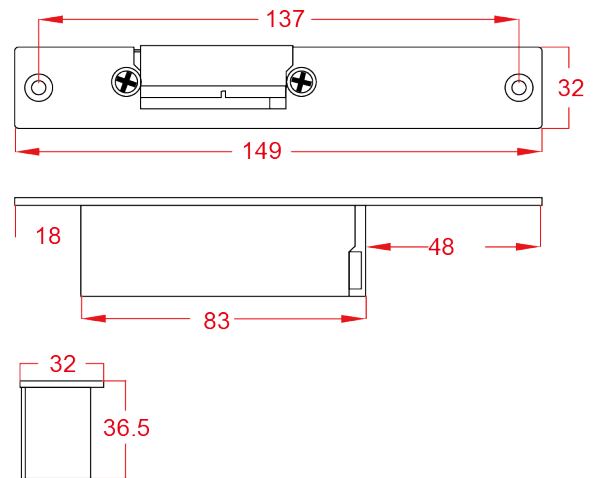
ELECTRIC STRIKES - ST1505 SERIES



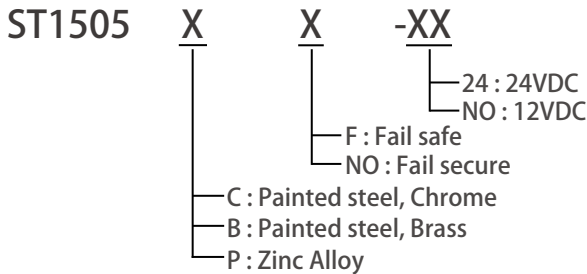
- ST1505P : 150L*39.5W*36.5H mm



- ST1505B/C : 149L*32W*36.5H mm



▼ ORDERING INFORMATION



EXAMPLE :

- ST1505P : Zinc Alloy faceplate fail secure 12VDC
- ST1505PF : Zinc Alloy faceplate fail safe 12VDC
- ST1505P-24 : Zinc Alloy face plate fail secure 24VDC
- ST1505PF-24 : Zinc Alloy face plate fail safe 24VDC
- ST1505B : Painted steel (brass) faceplate fail secure 12VDC
- ST1505C : Painted steel (chrome)faceplate fail secure 12VDC
- ST1505B-24 : Painted steel(brass) faceplate fail secure 24VDC
- ST1505BF-24 : Painted steel(brass) faceplate fail safe 24VDC

▼ SPECIFICATION

- Zinc Alloy Faceplate : 150L*28.5W*3T mm
- Painted steel (brass) : 149L*32W*3T mm
- Painted steel (chrome) : 149L*32W*3T mm
- Door Latch : 5/8" (15.8mm)
- Keeper Depth : 13.5 mm
- Fail secure : 12VDC / 400mA
- Fail secure : 24VDC / 200mA (Specify on order)
- Fail safe : 12VDC / 200mA
- Fail safe : 24VDC / 100mA (Specify on order)

▼ APPLICATION

