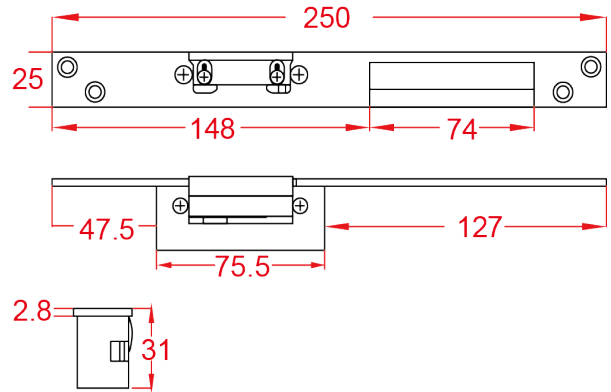


ELECTRIC STRIKES - ST250J SERIES

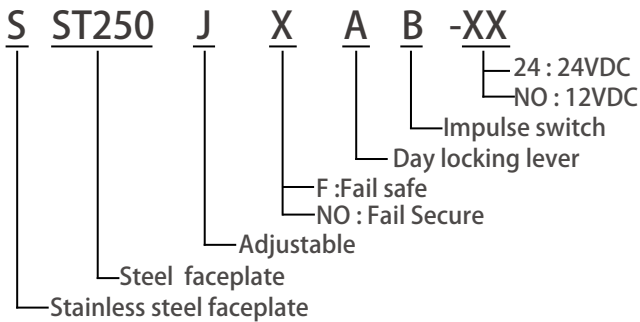


- ST250J / SST250J : 250L*25W*31H mm



ELECTRIC STRIKES

▼ ORDERING INFORMATION



EXAMPLE :

- ST205J : Steel faceplate Adjustable Symmetrical strike fail secure 12VDC
- SST250JA : Stainless steel faceplate Adjustable Symmetrical strike, Day locking lever, fail secure, 12VDC
- ST250JAB-24 : Steel faceplate Adjustable Symmetrical strike, Day locking lever Impulse switch, fail secure 24VDC
- Fail Safe Type : ST250JF / SST250JF only

▼ SPECIFICATION

- Steel Faceplate : 250L*25W*2.8T mm
- Stainless Steel Faceplate : 250L*25W*2.8T mm
- Door Latch : 9mm
- Keeper Depth : 6 mm
- Fail secure : 12VDC / 600mA
- Fail secure : 24VDC / 300mA(Specify on order)
- Fail safe : 12VDC / 280mA
- Fail safe : 24VDC / 140mA(Specify on order)

▼ APPLICATION

