

SensoIRIS WSOU IS-R Addressable Wall Mount Fire Sounder

EN54-3/ 17

Description

SensoIRIS WSOU IS-R is an addressable Wall Mount Sounder designed for installing in addressable fire alarm systems supporting TTE communication protocol. The device is powered on from the panel and can be controlled via the communication protocol. SensoIRIS WSOU IS-R is compatible with fire base B124. The sounder has a built-in isolator module.

Technical and Environmental Specifications

Operating Voltage Range 16 - 32VDC (Nom. 27VDC)
 Nominal consumption (stand-by). <500µA@27VDC
 Maximal consumption (main tone type 27):
 - low volume level. <5mA
 - high volume level* <16.5mA
 Maximal consumption (other tone types):
 - low volume level. <4mA
 - high volume level <10mA
 Consumption with activated isolator <15mA
 Power volume (main tone type 27):
 - low volume ~ 80dB (A) ± 6dB @ 1m
 - high volume* ~ 92dB (A) ± 5dB @ 1m
 Power volume (other tone types):
 - low volume 75-85dB ± 3dB @ 1m
 - high volume. 80-95dB ± 3dB @ 1m
 Number of tone types 32
 Supported communication protocol. TTE
 Wire Gauge for terminals 2.5mm²
 Relative humidity resistance (93 ± 3)% @ 40°C
 Protection. IP21C
 Weight 183g
 Dimensions (without base) 116x55mm
 Color red
 Material ABS

* **Note:** Approved to EN54-3 only!

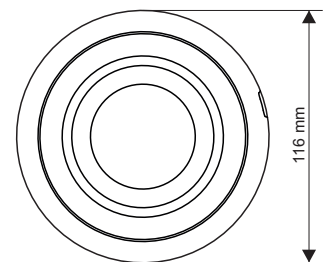
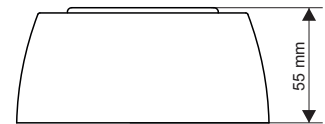


DoP No: 005

1293-CPR-0464
EVPU: N.B.1293



1139e/01



Packing Information

- **Packing box** - 1 unit SensoIRIS WSOU IS-R, dimensions 117x120x57 mm.
- **Carton box** - 40 units SensoIRIS WSOU IS-R, dimensions 520x250x367 mm.

Compatible Product Range

- **IRIS** - Addressable Fire Panel, 4 loops and 96 zones
- **SIMPO** - Addressable Fire Panel, 2 loops and 16 zones
- **SensoIRIS Programmer** - Address Programming Tool
- **SensoIRIS B124** - Standard Base

Contact Information:

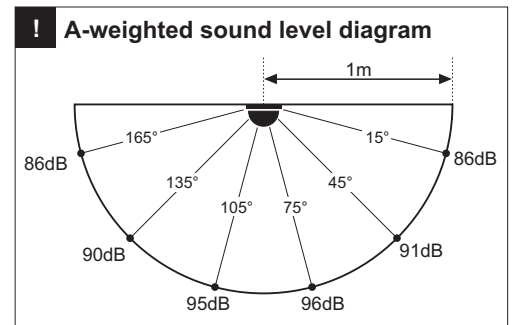
SensoIRIS WSOU IS-R Addressable Wall Mount Fire Sounder

EN54-3/ 17

Supported Tone Types and Description

Tone	Tone Type	Tone Description / Application
1		970Hz
2		800Hz/970Hz @ 2Hz
3		800Hz - 970Hz @ 1Hz
4		970Hz 1s OFF/1s ON
5		970Hz, 0.5s/ 630Hz, 0.5s
6		554Hz, 0.1s/ 440Hz, 0.4s (AFNOR NF S 32 001)
7		500 - 1200Hz, 3.5s/ 0.5s OFF (NEN 2575:2000)
8		420Hz 0.625s ON/0.625s OFF (Australia AS1670 Alert tone)
9		500 - 1200Hz, 0.5s/ 0.5s OFF x 3/1.5s OFF (AS1670 Evacuation)
10		550Hz/440Hz @ 0.5Hz
11		970Hz, 0.5s ON/0.5s OFF x 3/ 1.5s OFF (ISO 8201)
12		2850Hz, 0.5s ON/0.5s OFF x 3/1.5s OFF (ISO 8201)
13		1200Hz - 500Hz @ 1Hz (DIN 33 404)
14		400Hz
15		550Hz, 0.7s/1000Hz, 0.33s
16		1500Hz - 2700Hz @ 3Hz
17		750Hz
18		2400Hz
19		660Hz
20		660Hz 1.8s ON/1.8s OFF
21		660Hz 0.15s ON/0.15s OFF
22		510Hz, 0.25s/ 610Hz, 0.25s
23		800/1000Hz 0.5s each (1Hz)
24		250Hz - 1200Hz @ 12Hz
25		500Hz - 1200Hz @ 0.33Hz
26		2400Hz - 2900Hz @ 9Hz
27*		2400Hz - 2900Hz @ 3Hz 2500Hz (main sound frequency)
28		800Hz - 970Hz @ 100Hz
29		800Hz - 970Hz @ 9Hz
30		800Hz - 970Hz @ 3Hz
31		800Hz, 0.25s ON/1s OFF
32		500Hz - 1200Hz, 3.75s/0.25s OFF (AS2220)

* Note: Approved to EN54-3 only!



Contact Information:

Teletek Electronics JSC
14A Srebarna Str, 1407 Sofia, Bulgaria

Tel.: +359 2 9694 800
Fax: +359 2 9625 213

info@teletek-electronics.bg
www.teletek-electronics.com