

TNU-X6320E3WT1-M

Explosion-Proof Positioning Camera Station

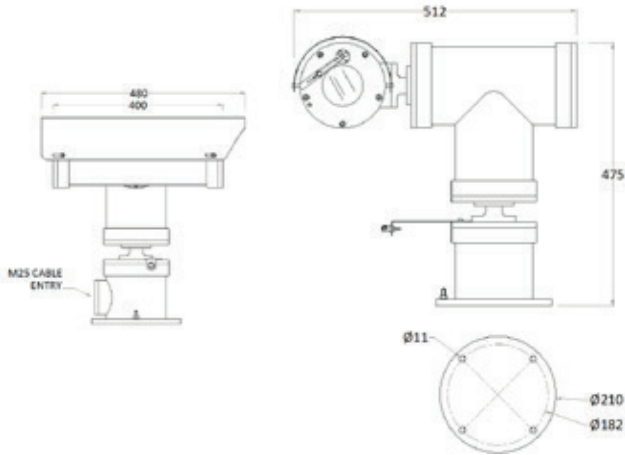


Key Features

- 2 MP (1920 x 1080) resolution
- 4.44-142.6mm (32x) optical zoom, 16x digital zoom
- H.265, H.264, MJPEG triple codec, WiseStream II
- Day & Night (ICR), WDR (150dB)
- Video Analytics, dual SDXC memory slots
- DIS with built-in Gyro sensor
- cLCus C1/D1/INMETRO / cLC CSA Certified
- Electro-polished 316L stainless steel on all welded assemblies
- Camera station window in toughened glass
- Integrated Wiper & Optional Fiber Optics
- Supply voltage (24 VAC or 110 VAC or 220 VAC) depending on model

Dimensions

Unit: mm



Accessories (Optional)



HT-E-BPW6800



HTE-E-XWP10UL

TNU-X6320E3*

VIDEO

| | |
|----------------------|---|
| Image Sensor | 1/2.8" 2.4 MP CMOS |
| Resolution | Resolution: 1920x1080 to 320x180; 60fps at all resolutions (H.265/H.264) |
| Lens | 32x optical 16x digital zoom 4.44-142.6 mm F1.6 to F4.4, horizontal angle of view 62.8° - 2.23° |
| Pan / Tilt Range | 360° Endless / 180° |
| Pan / Tilt Speed | 45° per second / 24° per second |
| Minimum Illumination | Color: 0.05Lux (1/30sec, F1.6, 50IRE) B/W: 0.005Lux (1/30sec, F1.6, 50IRE) |
| Streaming | H.265, H.264, MJPEG triple codec, multiple streaming, VBR/CBR, WiseStream II |
| Features | Intelligent video analytics, motion detection, day & night (ICR), WDR (150dB), HLC, auto focus, auto iris, AGC, SDR, SSNRIII, BLC, Gyro DIS, Defog |
| Standards Protocols | ONVIF Profile S, TCP/IP, UDP/IP, RTP(UDP), RTP(TCP), RTCP, RTSP, NTP, HTTP, HTTPS, SSL, DHCP, FTP, SMTP, ICMP, IGMP, SNMPv1/v2c/v3(MIB-2), ARP, DNS, DDNS, QoS, PIM-SM, UPnP, Bonjour |

SPECIFICATIONS

| | |
|---------------------------|--|
| Sun Shield | Standard stainless steel 316L mirror finish |
| Integral Wiper | Silicone wiper blades that are resistant and do not perish after long exposure to ozone, UV, ice, snow, heat or cold |
| Integral Fiber (Optional) | Built-in fiber module (Simplex single-mode 9/125µm) (F2 Models only) |
| Ingress Protection Rating | IP66/67 |
| Temperature Rating | T1: -40°C ~ +60°C (-40°F ~ +140°F); T2: -60°C ~ +60°C (-76°F ~ +140°F) |

ELECTRICAL

| | |
|-----------------------|--|
| Input Voltage | 24 VAC or 110 VAC or 220 VAC depending on model |
| Power Consumption | Up to 80W Maximum, depending on model |
| Cable Entry | 2 x 3/4" NPT entries located in base |
| Body Material | Electro-polished 316L stainless steel on all welded assemblies |
| Fixings Material | A4 stainless steel |
| Camera Station Window | Toughened glass |

CERTIFICATIONS

| | |
|-------------|---|
| INMETRO | Ex d IIC T4 (T5 On Request) Gb -60°C ≤ Ta ≤ +60°C Ex tb IIIC T135°C Db IP66/67. Certificate Number: TUV 12.1080X / TUV 12.1081X |
| cLCus C1/D1 | Class I, Division 1, Groups B,C,D, -60°C ≤ Ta ≤ 60°C T4 / Class II, Division 1, Groups E, F, G IP67 CSA-C22.2 No:30-M1986 No:25-1966(R2009) CSA-C22.2 No:60065-03(R2012) & UL 1203, UL 60065(ED.7). Certificate Number: 11671-1S / 11677-1S |
| cLC CSA | Ex d IIC T4 (T5 On Request) LC1311396 -60°C ≤ Ta ≤ +60°C. CAN CSA-C22.2 No.60079-0:2011 & 60079-1:2011. Certificate Number: 11396-1S-CSA |
| Weight | Up to 53Kg (117lb) |

Model Number:

TNU-X6320E3F2WT1-M

Body Style :
Positioning : U

Power :
24 VAC : 1
110 VAC : 2
220 VAC : 3

Temperature Rating :
-40°C : T1
-60°C : T2

Fiber :
Single-Mode : F2

Wiper : W

Certification :
cLC CSA : C
INMETRO : M
cLCus C1/D1 : Z

TNU-X6320E3*

| VIDEO | |
|-----------------------------|--|
| Imaging Device | 1/2.8" 2.4 MP CMOS |
| Total Pixels | 1981(H) x 1288(V), 2.55 MP |
| Effective Pixels | 1944(H) x 1212(V), 2.35 MP |
| Scanning System | Progressive scan |
| Minimum Illumination | Color : 0.05 Lux (1/30 sec, F1.6) B/W : 0.005 Lux (1/30 sec, F1.6) |
| S / N Ratio | 50dB |
| LENS | |
| Focal Length (Zoom Ratio) | 4.44 ~ 142.6mm (Optical 32x) |
| Maximum Aperture Ratio | F1.6 (Wide) / F4.4 (Tele) |
| Angular Field of View | H : 61.8°(Wide) ~ 2.19°(Tele) / V : 36.2°(Wide) ~ 1.24°(Tele) |
| Minimum Object Distance | Wide 1.5m (4.92ft), Tele 2m (6.56ft) |
| Focus Control | Auto / Manual / One shot AF |
| Lens Type | DC auto iris |
| Mount Type | Board-in type |
| OPERATIONAL | |
| Camera Title | Off / On (Displayed up to 85 characters) - English / International / Numeric / Special characters - Multi-line (Maximum 5), Color (Grey / Green / Red / Blue / Black / White), Transparency, Auto scale by resolution |
| Day & Night | Auto (ICR) / Color / B/W / Schedule |
| Backlight Compensation | Off / WDR / BLC / HLC |
| Wide Dynamic Range | 150dB |
| Contrast Enhancement | SSDR (On / Off) |
| Digital Noise Reduction | SSNR5 (2D+3D noise filter) (On / Off) |
| Digital Image Stabilization | On / Off (Built-in gyro sensor) |
| Defog | Off / Manual / Auto |
| Motion Detection | On / Off (8ea, Polygonal) |
| Privacy Masking | On / Off (24 Zones of rectangle zone) - Color : Grey / Green / Red / Blue / Black / White - Mosaic |
| Gain Control | Off / Low / Middle / High |
| White Balance | ATW / AWC / Manual / Indoor / Outdoor (Included Mercury & Sodium) |
| Electronic Shutter Speed | Minimum / Maximum / Anti flicker (1 ~ 1 / 12,000sec) |
| Digital Zoom | 32x |
| Flip / Mirror | On / Off |
| Video Analytics | Tampering, Loitering, Directional/Virtual Line detection, Fog detection, Enter/Exit, Appear/Disappear, Face detection, Motion detection, Shock detection |
| Alarm Triggers | Motion detection, Video analytics, Network disconnect |
| Alarm events | File upload via FTP and E-Mail, Notification via E-Mail, TCP and HTTP, Local storage (SD/SDHC/SDXC) or NAS recording at alarm triggers, Preset |
| Pixel counter | Support |

TNU-X6320E3*

| NETWORK | |
|---|---|
| Ethernet | RJ-45 (10/100BASE-T) |
| Video Compression Format | H.264 (MPEG-4 Part 10/AVC), H.265, Motion JPEG |
| Resolution | 1920 x 1080, 1280 x 1024, 1280 x 960, 1280 x 720, 1024 x 768, 800 x 600, 800 x 448, 720 x 576, 720 x 480, 640 x 480, 640 x 360, 320 x 240 |
| Maximum Framerate | H.264 / H.265 : Maximum 60fps at all resolutions Motion JPEG : Maximum 30fps at all resolutions |
| Smart Codec | Manual mode (Area-based : 5ea) |
| WiseStream <input checked="" type="checkbox"/> | Support |
| Video Quality Adjustment | H.264 / H.265 / MJPEG : Target bitrate level control |
| Bitrate Control Method | H.264 / H.265 : CBR or VBR Motion JPEG : VBR |
| Streaming Capability | Multiple streaming (Up to 10 profiles) |
| IP | IPv4, IPv6 |
| Protocol | TCP/IP, UDP/IP, RTP(UDP), RTP(TCP), RTCP,RTSP, NTP, HTTP, HTTPS, SSL/TLS, DHCP, PPPoE, FTP, SMTP, ICMP, IGMP, SNMPv1/v2c/v3(MIB-2), ARP, DNS, DDNS, QoS, PIM-SM, UPnP, Bonjour |
| Security | HTTPS (SSL) login authentication, Digest login authentication, IP address filtering, User access log, 802.1X Authentication (EAP-TLS, EAP-LEAP) |
| Streaming Method | Unicast / Multicast |
| Maximum User Access | 20 users at Unicast mode |
| Edge Storage | Micro SD/SDHC/SDXC 2 slots (up to 512 GB total capacity) - Continuous recording(1st slot to 2nd slot) - Motion Images recorded in the Micro SD/SDHC/SDXC memory card can be downloaded. NAS (Network Attached Storage) Local PC for instant recording |
| Application Programming Interface | ONVIF Profile S/G, SUNAPI 2.0 (HTTP API), Wisenet Open Platform |
| Webpage Language | English, Korean, Chinese, French, Italian, Spanish, German, Japanese, Russian, Swedish, Portuguese, Czech, Polish, Turkish, Dutch, Hungarian, Greek |
| Web Viewer | Supported OS : Windows 7, 8.1, 10, Mac OS X 10.10, 10.11, 10.12 Plug-in Free Webviewer supported browser : Google Chrome, Microsoft Edge, Microsoft Internet Explorer, Mozilla Firefox (Windows 64-bit only) , Apple Safari 10 (Mac OS X only) |
| Central Management Software | Wisenet WAVE, SmartViewer, SSM |

* The latest product information / specification can be found at hanwhasecurity.com

* Design and specifications are subject to change without notice.

* Wisenet is the proprietary brand of Hanwha Techwin