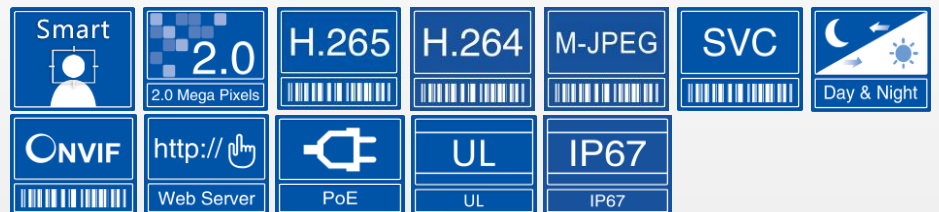


VH211-A20B-P0

HD 2MP INTELLIGENT STARLIGHT WDR IR IP CAMERA

Infinova[®]



FEATURES

- 1/2.8" progressive scan CMOS
- IR-Cut Removable (ICR) Filter for true Day/Night
- IR illumination distance up to 70m
- Applied with Smart-IR technology to adjust the light power according to ambient lighting conditions
- Support multi-frame integrated WDR, with a range up to 120dB
- Built-in motorized zoom lens
- Support H.265/H.264/M-JPEG/SVC encoding formats
- High-resolution image signal output: 1080P@25fps
- Smart H.265/Smart H.264 available for efficient use of band resources
- Support vivid smart functions such as video anomaly detection, behaviour-analysis detection, sound detection, intelligent grouping detection and Face capture grouping integrated with mask recognition
- Bi-directional audio, G.711-A/G.711-U/AAC
- Local PC recording
- Micro SD card
- Up to 8 ROI (Region of Interest) areas
- Up to 4 definable privacy mask areas
- Supports corridor mode
- Supports simultaneous access and parameter setting via Web Server from multiple clients
- Onvif Profile S/G & T compliant
- Powered by PoE/12VDC/24VAC
- IP67 environmental rating
- UL

DESCRIPTION

Infinova VH211-A20B-P0 series HD 2MP Intelligent Starlight WDR IR IP camera applies 1/2.8-inch CMOS sensor and 2.7~13.5mm HD motorized zoom lens. The built-in IR lights can cover up to 70m and its power can be automatically adjusted according to ambient lighting conditions, greatly reducing power consumption and extending its service life.

With H.265/H.264/M-JPEG/SVC video compression formats, the camera outputs three video streams and delivers high-quality images with resolution up to 1920×1080@25fps, which can provide marvelous definition, color restoration and accurate details.

Based on the self-developed deep learning algorithm, the camera supports full smart analysis functions, including video anomaly detection, face detection, tracking and capture, mask recognition, counting application, crowd density detection, behavior analysis and so on to meet all kinds of high-end commercial applications.

The camera can be widely used in ordinary buildings, supermarkets, hotels, shops, parks, schools, factories, warehouses, underground parking and other occasions with low light conditions but requiring high-quality images.

TECHNICAL SPECIFICATIONS

Lens (Visible)		Mic & Speaker	-
Image Sensor	1/2.8" progressive scan CMOS	Image	
Optical Zoom	-	Shutter	Auto/Manual (1/1s~1/32,000s)
Digital Zoom	-	WDR	Up to 120dB
Focal Length	f=2.7~13.5mm	Exposure	Auto/Manual/Shutter
Iris	F1.4	Sensitivity	Color mode: 0.001 Lux@ F1.4(AGC ON); B/W mode: 0.0001 Lux@ F1.4(AGC ON); 0 lux (IR ON)
Focus	Online assistant focus available	White Balance	Auto/Manual/Outdoor
FOV(H/V/D)	H:101°~33.2°; V:53.2°~18.6°; D:123.2°~38°	Video Adjustment	Brightness, contrast, saturation, hue, sharpness
Lens Mount	φ14	Noise Reduction	3D
Lens (Thermal)		S/N Ratio	≥55dB
Imager Type	-	Defog	Available
Lens Type	-	EIS	Available
Spectral Band	-	Mirror	Horizontal/Vertical
Pixel Size	-	Corridor Mode	Available by video rotation
NETD	-	Day/Night Switching	ICR
Focal Length	-	AGC	Auto/Manual, up to 64X
FOV	-	BLC	Available
Video		HLC	Available
Camera Resolution (Visible Lens)	2MP	Privacy Mask	Up to 4 definable zones
Camera Resolution (Thermal Lens)	-	ROI	Up to 8 definable zones
Max. Coding Capacity (Visible Lens)	Major stream: H.264/H.265-25fps@1920x1080 Minor stream: H.264/H.265-15fps@1920x1080 Third stream: M-JPEG- 25fps@1920x1080	OSD	Supported
Max. Coding Capacity (Thermal Lens)	-	Pan/Tilt Functions	
Data Rate	VBR/CBR Major stream: 256Kbps~10240Kbps; Minor stream: 256Kbps~4096Kbps	Preset	-
Video Compression	H.265/H.264/M-JPEG/SVC independent coding	Pattern	-
Multi-Streaming	Three - stream independent output	Autopan	-
Video Rotation	Video can be rotated by 90°, 180° or 270°	Normal Tour	-
Audio		Home Return	-
Audio Compression	G.711-A/ G.711-U/ AAC	Timing Tour	-
Sample Rate	8KHz (for G.711-A/G.711-U), 16KHz, 32KHz, 44.1KHz and 48KHz (for AAC)	Autoscan	-
Audio Interface	1 input, Linear level; 1 output, Linear level	Area Zoom	-
Two-way Audio	Available	IR Illumination	
		Smart-IR	Available
		Wave Length	850nm
		Night Vision Distance	70m
		Temperature Measurement	
		Screening Function	-
		Measurement	-

TECHNICAL SPECIFICATIONS

Measurement Distance	-
Measurement Range	-
Accuracy	-
Smart Analytics	
Video Analytics	Video Anomaly Detection-Camera tampering, camera shifting, defocus detection, high brightness detection, low brightness detection, video loss detection, color cast detection, and motion detection
	Behaviour Analysis Detection - Wire crossing detection, intrusion detection, object abandoned detection, object lost detection, loitering detection, crowd detection, fast moving detection, target stop detection, and fall over detection
	Sound Detection - Abnormal sound detection and fight detection
	Statistics Detection - Counting, density detection, queue length detection and dwelling detection
	Intelligent Grouping Detection- Behaviour analysis grouping, face capture grouping.
	Face capture - Supports face detection, tracking and capturing.
	Optimum Selection- Supports optimum selection and duplicate removal for captured target images to deliver the best-quality images.
	Face Exposure - Available
	Face attributes - gender, glasses, eyes open, mask, mouth open
	Storage
Storage Slots	Support single card
Built-in Storage	up to 512GB
NAS Storage	-
Local PC Recording	Available
Alarm	
Alarm Ports	2 alarm inputs, 1 on-off output
Alarm Input	I/O input, smart detection, SD card full of videos, SD card full of images, network disconnection, heartbeat loss
Alarm Association	I/O output, email, image upload via FTP, image upload via HTTP, SD card recording, SD card snapshot, alarm info push
System Functions	
Operating System	Win 7 and higher versions
Browser	IE8 and higher versions
Access Protocol	ONVIF Profile S/G/T, CGI 2.7
Multiple Access	Up to 20-ch simultaneous access

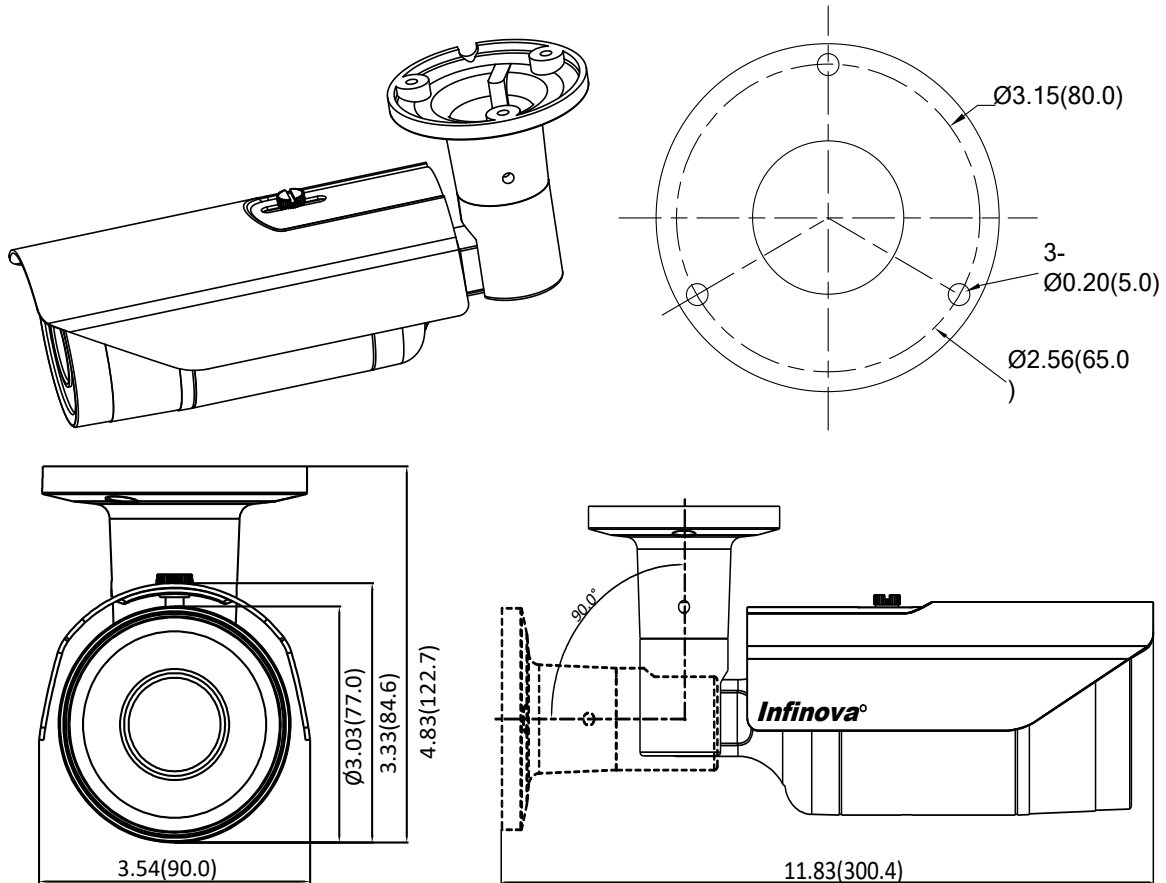
Web Server	Available
Remote Upgrade	Available
Password Protection	Available
RS485 Port	-
Analog Video Output	-
Maximum Number of Users	64, with 3 types of users available: administrator, normal user, and operator
Wiper	-
Network	
Network Interface	1 RJ45 10M/ 100M self-adaptive Ethernet port
Network Protocols	IPv4/IPv6, TCP, UDP, IGMP, ICMP, IGMPv2/3, DHCP, SNMP (V1, V3), FTP, SMTP, NTP, RTC, RTP, RTSP, RTCP, HTTP, HTTPS, SSL, 802.1x, QoS, PPPoE, DNS, DDNS, ARP, UPnP, IP Filter, TLS, DES, Multicast
IP Address Filtering	Available
Network Delay	<200ms
Environmental	
Anti-Static	Air discharge: 8KV; contact discharge: 6KV
Surge Protection	Difference mode: ±1KV, common mode: ±2KV
Operating Temperature	-40°F~140°F (-40°C~+60°C)
Storage Temperature	-4°F~140°F (-20°C~+60°C)
Operating Humidity	≤ 95% RH
Environmental Rating	IP67
Impact Resistance	IK10
Mechanical	
Manual Speed	-
Preset Speed	-
Rotation Angle	-
Preset Accuracy	-
Electric Motor	-
Electrical	
Power Supply	PoE (IEEE 802.3af Class 2) /12VDC /24VAC
Power Consumption	<12W
Physical	
Product Dimension (L×W×H) or (H x D)	3.33"×3.54"×11.83" (84.6mm×90mm×300.4mm)
Package Dimension (L x W x H)	14.96"×5.98"×5.12" (380mm×152mm×130mm)
Unit Weight	2.09lbs. (0.95Kg)
Shipping Weight	2.76lbs. (1.25Kg)
Certifications	
Product Certifications	CE, FCC, IK10, IEC, IP67, RoHS, UL

ORDERING INFORMATION

VH211-A20B-P0	HD Megapixel Intelligent Starlight WDR IR IP Bullet Camera, 2MP, 1/2.8" CMOS, Mask recognition, Day/night, H.265/H.264/M-JPEG/SVC, 2.7~13.5mm motorized zoom lens, IR illumination distance up to 70m, Outdoor, IP67, With audio alarm, PoE/12VDC/24VAC
Accessories	
Power Supply	
N3921-12D-1	AC to DC Power Supply, Plug-In, 230VAC, Output 12VDC, 1.5A
N3922-24A-2	AC to AC Power Supply, Plug-In, 230VAC, Output 24VAC, 3A
N3922-30P-2	Smart POE Injector, 100VAC-240VAC input, 30W output

*Note: - "Confirmation of SD Card installation has to be notified with the Camera Purchase Order. Such confirmation if received on Order Readiness will attract additional cost. Please contact Infinova to know more".

DIMENSIONS



(Unit: inch, in the parentheses is mm)