



Technical Specifications



MOBOTIX M26A Allround

Solid. For Every Application.

Our proven all-purpose camera system for mounting on ceilings, walls and poles also easily meets the demanding requirements of protection classes IP66 and IK10. The M26A Allround features the latest 6MP technology and can be used for an especially broad range of applications, thanks to the comprehensive choice of lenses available.

- Mx6 system platform with H.264 and ONVIF compatibility
- Recording on an internal MicroSD card (4 GB as standard)
- Integrated microphone and speaker
- Large choice of lenses with viewing angles from 8° to 180°
- MxAnalytics Video Analysis tools as standard
- Integrated temperature sensor
- Weatherproof, fiber-glass reinforced external housing (IP66, IK10)
- Suitable IR illuminator (PoE+) available as option

Technical Specifications

MOBOTIX M26A Allround

Camera Variants	M26A Body Day Or Night Lens For Self-Assembly	M26A Day Complete Camera	M26A Night Complete Camera
Specialties	M26A Body with 6MP Day or Night sensor Mx-M26A-6D or Mx-M26A-6N; all lenses (except MX-B016) available separately for self-assembly	Factory-assembled M26A Day or Night cameras with sharply focused lens (only fisheye lens variants available in the Americas)	
Lenses	M26A Body Day Or Night Lens For Self-Assembly	M26A Day Complete Camera	M26A Night Complete Camera
Fisheye lens MX-B016 (f/2.0, 180° x 180°)	Not for M26A Body	Mx-M26A-6D016	Mx-M26A-6N016
Ultra wide-angle lens MX-B036 (f/1.8, 103° x 77°)		Mx-M26A-6D036	Mx-M26A-6N036
Super wide-angle lens MX-B041 (f/1.8, 90° x 67°)	Lens selection for M26A Body	Mx-M26A-6D041	Mx-M26A-6N041
Wide-angle lens MX-B061 (f/1.8, 60° x 45°)	Day/Night	Mx-M26A-6D061	Mx-M26A-6N061
Standard lens MX-B079 (f/1.8, 45° x 34°)	Body Day: Mx-M26A-6D	Mx-M26A-6D079	Mx-M26A-6N079
Tele lens MX-B119 (f/1.8, 31° x 23°)	Body Night: Mx-M26A-6N	Mx-M26A-6D119	Mx-M26A-6N119
Distance tele lens MX-B237 (f/1.8, 15° x 11°)		Mx-M26A-6D237	Mx-M26A-6N237
Super tele lens MX-B500 (f/2.5, 8° x 6°)		Mx-M26A-6D500	Mx-M26A-6N500

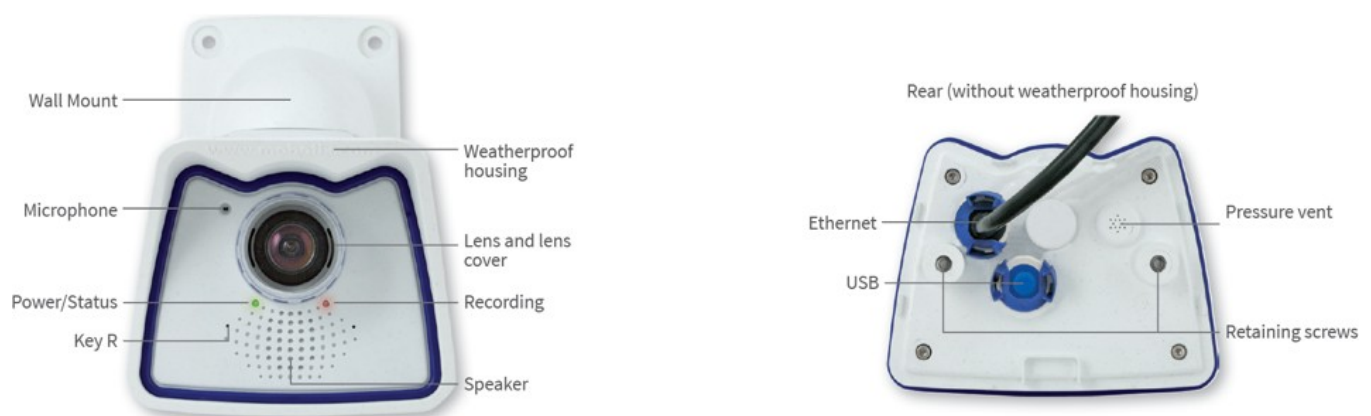
Hardware	M26A Body Day Or Night Lens For Self-Assembly	M26A Day Complete Camera	M26A Night Complete Camera
Image sensor with individual exposure zones	Color or Black & White (B/W)	Color	B/W
Light sensitivity in lux at 1/60 s and 1/1 s	0.1/0.005 (Color) 0.02/0.001 (B/W)	0.1/0.005 (Color)	0.02/0.001 (B/W)
Image sensor (color or B/W sensor)	1/1.8" CMOS, 6MP (3072 x 2048), Progressive Scan, Moonlight Technology		
Microprocessor	i.MX 6 Dual Core incl. GPU (1 GB RAM, 512 MB Flash)		
H.264 Hardware Codec	Yes, bandwidth limitation available; output image format up to QXGA		
Protection classes	IP66 and IK10		
Intended use	Not for use in hazardous areas (Ex area)		
Ambient temperature (range, incl. storage)	-40 to 50°C/-40 to 122°F (cold boot from -30°C/-22°F)		
Internal DVR, ex works	4 GB (microSD)		
Microphone/speaker	Yes/Yes		
16bit/16kHz HD wideband audio (Opus codec)	Yes (live and audio messages)		
Passive infrared sensor (PIR)	No		
Temperature sensor	Yes		
Shock detector (tamper detection)	Yes		
Power consumption (typically at 20°C/68°F)	5 watts		
PoE Class (IEEE 802.3af)	Class 2 or 3 (variable), factory setting: class 3		
Interfaces Ethernet 100BaseT/MxBus/USB	Yes (MxRJ45)/No/Yes		
Interface RS232	With accessory (MX-232-IO-Box)		
Mounting options	Wall, ceiling or pole (pole mount: MOBOTIX accessory)		

Technical Specifications

MOBOTIX M26A Allround

Hardware	M26A Body Day Or Night Lens For Self-Assembly	M26A Day Complete Camera	M26A Night Complete Camera
Dimensions (Height x Width x Depth)	189 x 140 x 220 mm		
Weight	350 g		
Housing	Fixed Network, PBT-30GF, color: white		
Standard accessory	Screws, dowels, Allen wrenches, VarioFlex wall and ceiling mount* (*only included if specified with the order!), rubber sealing, 0,5 m Ethernet patch cable, Quick Install		
Detailed technical documentation	www.mobotix.com > Support > Download Center		
Online version of this document	www.mobotix.com > Support > Download Center		
MTBF	> 80,000 hours		
Certifications	EN55032:2012 EN55022:2010; EN55024:2010; EN50121-4:2015 EN61000-6-1:2007; EN 61000-6-2:2005 EN61000-6-3:2007+A1:2011 EN61000-6-4:2007+A1:2011 AS/ NZS CISPR22:2009+A1:2010 CFR47 FCC part15B		
Protocols	IPv4, IPv6, HTTP, HTTPS, FTP, FTPS, SFTP, RTP, RTSP, UDP, SNMP, SMTP, DHCP (client and server), NTP (client and server), SIP (client and server) G.711 (PCMA and PCMU) and G.722		
Manufacturer's warranty (since May 2018)	3 years		
Image Formats, Frame Rates, Image Storage	M26A Body Day Or Night Lens For Self-Assembly	M26A Day Complete Camera	M26A Night Complete Camera
Available video codecs	MxPEG/MJPEG/H.264		
Image formats	Freely configurable format 4:3, 8:3, 16:9 or customized format (Image Cropping), such as 2592x1944 (5MP), 2048x1536 (QXGA), 1920x1080 (Full-HD), 1280x960 (MEGA)		
Multistreaming	Yes		
Multicast stream via RTSP	Yes		

Image Formats, Frame Rates, Image Storage	M26A Body Day Or Night Lens For Self-Assembly	M26A Day Complete Camera	M26A Night Complete Camera
Max. image format	6MP (3072 x 2048)		
Max. frame rate (fps, only single core used)	MxPEG: 42@HD(1280x720), 34@Full-HD, 24@QXGA, 15@5MP, 12@6MP MJPEG: 26@HD(1280x720), 13@Full-HD, 9@QXGA, 5@5MP, 4@6MP H.264: 25@Full-HD, 20@QXGA		
Number of images with 4 GB microSD (internal DVR)	CIF: 250,000, VGA: 125,000, HD: 40,000, QXGA: 20,000, 6MP: 10,000		



General Functions	M26A Body Day Or Night Lens For Self-Assembly	M26A Day Complete Camera	M26A Night Complete Camera
Digital zoom and pan	Yes		
ONVIF compatibility	Yes (Profile S, audio support with camera firmware V5.2.x and higher)		
Genetec protocol integration	Yes		
Programmable exposure zones	Yes		
Snapshot recording (pre/post-alarm images)	Yes		
Continuous recording with audio	Yes		
Event recording with audio	Yes		
Time controlled flexible event logic	Yes		

Technical Specifications

MOBOTIX M26A Allround

General Functions	M26A Body Day Or Night Lens For Self-Assembly	M26A Day Complete Camera	M26A Night Complete Camera
Weekly schedules for recordings and actions	Yes		
Event video and image transfer via FTP and email	Yes		
Playback and QuadView via web browser	Yes		
Bidirectional audio in browser	Yes		
Animated logos on the image	Yes		
Master/Slave functionality	Yes		
Privacy zone scheduling	Yes		
Customized voice messages	Yes		
VoIP telephony (audio, alert)	Yes		
Remote alarm notification (network message)	Yes		
Programming interface (HTTP-API)	Yes		
DVR	Inside camera via microSD card, externally via USB device and NAS, different streams for live image and recording, MxFFS with archive function, pre-alarm and post-alarm images, monitoring recording with failure reporting		
Camera and data security	User and group management, SSL connections, IP-based access control, IEEE802.1x, intrusion detection, digital image signature		
MxMessageSystem: Sending and receiving of MxMessages	Yes		

Video Analysis	M26A Body Day Or Night Lens For Self-Assembly	M26A Day Complete Camera	M26A Night Complete Camera
-----------------------	--	---------------------------------	-----------------------------------

Video-Motion Sensor	Yes
---------------------	-----

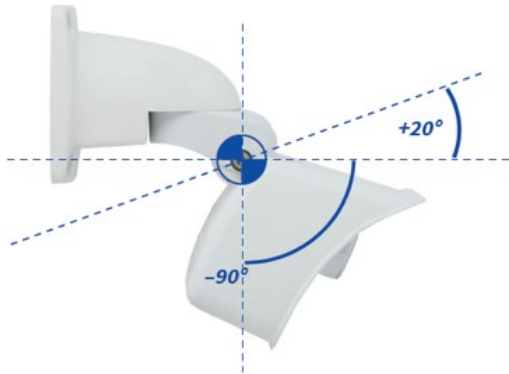
MxActivitySensor	Yes
------------------	-----

MxAnalytics	Yes (Heatmaps, counting corridors)
-------------	------------------------------------

Video Management Software	M26A Body Day Or Night Lens For Self-Assembly	M26A Day Complete Camera	M26A Night Complete Camera
----------------------------------	--	---------------------------------	-----------------------------------

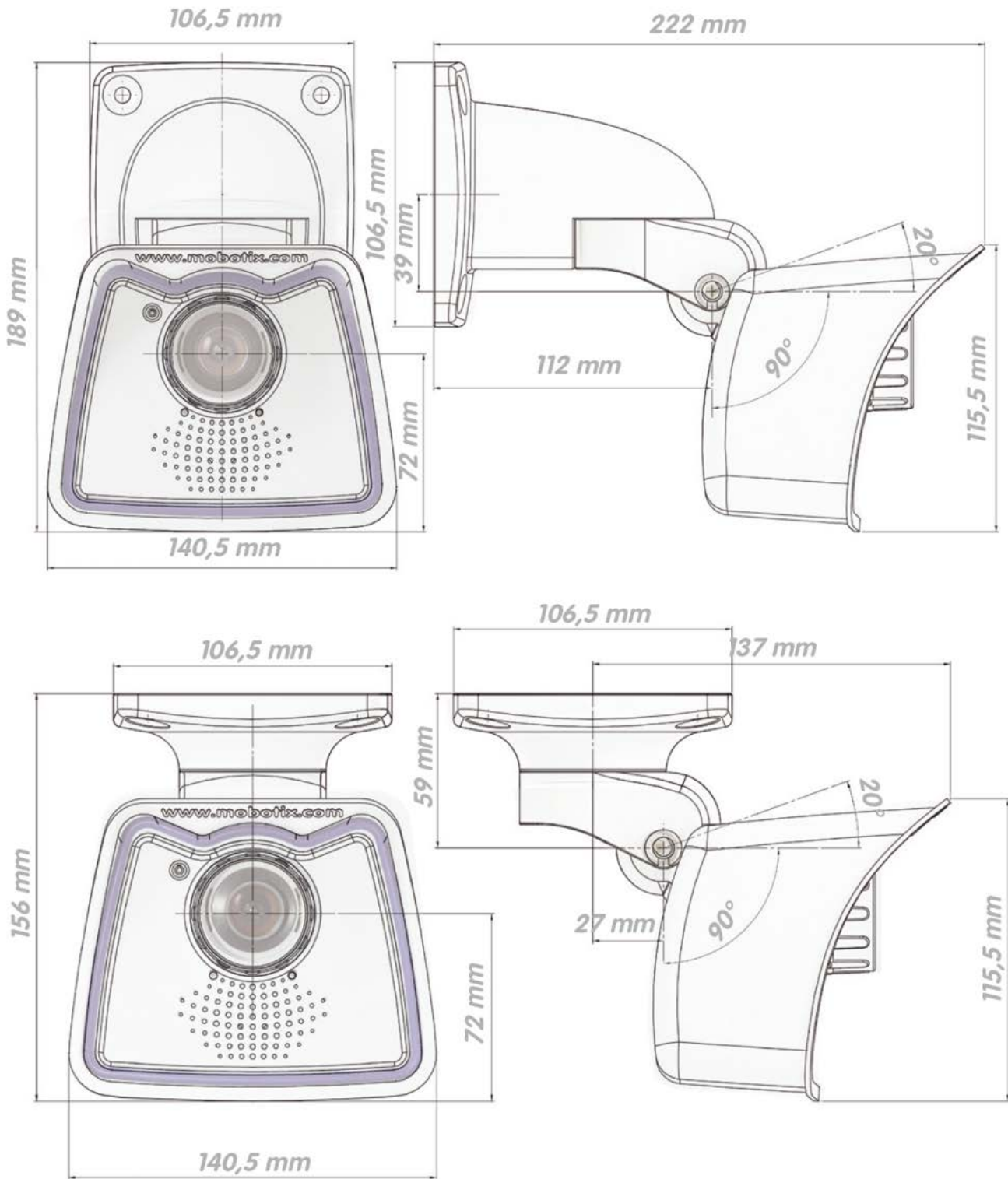
MxManagementCenter	Yes
--------------------	-----

Mobile MOBOTIX App	Yes
--------------------	-----



Technical Specifications

MOBOTIX M26A Allround



MOBOTIX

BeyondHumanVision

[EN_12/21](#)

MOBOTIX AG • Kaiserstrasse • D-67722 Langmeil • Tel.: +49 6302 9816-103 • sales@mobotix.com • www.mobotix.com

MOBOTIX is a trademark of MOBOTIX AG registered in the European Union, the U.S.A., and in other countries. Subject to change without notice. MOBOTIX do not assume any liability for technical or editorial errors or omissions contained herein. All rights reserved. © MOBOTIX AG 2019